

TJA1145

High-speed CAN transceiver for partial networking

Rev. 4 — 09 May 2018

Product data sheet

1. General description

The TJA1145 is a high-speed CAN transceiver that provides an interface between a Controller Area Network (CAN) protocol controller and the physical two-wire CAN bus. The transceiver is designed for high-speed CAN applications in the automotive industry, providing differential transmit and receive capability to (a microcontroller with) a CAN protocol controller.

The TJA1145 features very low power consumption in Standby and Sleep modes and supports ISO 11898-2:2016 compliant CAN Partial Networking by means of a selective wake-up function.

A dedicated implementation of the partial networking function has been embedded into the TJA1145/FD variants TJA1145T/FD and TJA1145TK/FD (see [Section 7.3.2](#) for further details on CAN FD). This function is called 'FD-passive' and is the ability to ignore CAN FD frames while waiting for a valid wake-up frame in Sleep/Standby mode. This additional feature of partial networking is the perfect fit for networks that support both CAN FD and standard CAN 2.0 communications. It allows normal CAN controllers that do not need to communicate CAN FD messages to remain in partial networking Sleep/Standby mode during CAN FD communication without generating bus errors.

Advanced power management regulates the supply throughout the node and supports local and remote wake-up functionality. I/O levels are automatically adjusted to the I/O levels of the controller, allowing the TJA1145 to interface directly with 3.3 V to 5 V microcontrollers. An SPI interface is provided for transceiver control and for retrieving status information. Bus connections are truly floating when power is off.

The TJA1145 implements the CAN physical layer as defined in ISO 11898-2:2016 and SAE J2284-1 to SAE J2284-4. This implementation enables reliable communication in the CAN FD fast phase at data rates up to 2 Mbit/s.

These features make the TJA1145 the ideal choice for high-speed CAN networks containing nodes that are always connected to the battery supply line but, in order to minimize current consumption, are only active when required by the application.

2. Features and benefits

2.1 General

- ISO 11898-2:2016 and SAE J2284-1 to SAE J2284-4 compliant
- Timing guaranteed for data rates up to 2 Mbit/s
- Autonomous bus biasing according to ISO 11898-2:2016
- Optimized for in-vehicle high-speed CAN communication
- No 'false' wake-ups due to CAN FD in TJA1145/FD variants



2.2 Designed for automotive applications

- ± 8 kV ElectroStatic Discharge (ESD) protection, according to the Human Body Model (HBM) on the CAN bus pins
- ± 6 kV ESD protection, according to IEC 61000-4-2 on pins BAT and WAKE and on the CAN bus pins
- CAN bus pins short-circuit proof to ± 58 V
- Battery and CAN bus pins protected against transients according to ISO 7637-3, test pulses 1, 2a, 3a and 3b.
- Suitable for use in 12 V and 24 V systems
- Available in SO14 and leadless HVSON14 package (3 mm \times 4.5 mm) with improved Automated Optical Inspection (AOI) capability
- AEC-Q100 qualified
- Dark green product (halogen free and Restriction of Hazardous Substances (RoHS) compliant)

2.3 Advanced ECU power management system

- Very low-current Standby and Sleep modes, with full wake-up capability
- Entire node can be powered down via the inhibit output
- Remote wake-up capability via standard CAN wake-up pattern or via ISO 11898-2:2016 compliant selective wake-up frame detection
- Local wake-up via the WAKE pin
- Wake-up source recognition
- Bit rates of 50 kbit/s, 100 kbit/s, 125 kbit/s, 250 kbit/s, 500 kbit/s and 1 Mbit/s supported during selective wake-up'
- Local and/or remote wake-up can be disabled to reduce current consumption
- Transceiver disengages from the bus when the battery supply is removed
- VIO input allows for direct interfacing with 3.3 V to 5 V microcontrollers

2.4 Protection and diagnosis

- 16-, 24- or 32-bit SPI for configuration, control and diagnosis
- Transmit Data (TXD) dominant time-out function with diagnosis
- Overtemperature warning and shut-down
- Undervoltage detection and recovery on pins VCC, VIO and BAT
- Cold start diagnosis (via bits PO and NMS)
- Advanced system and transceiver interrupt handling

3. Quick reference data

Table 1. Quick reference data

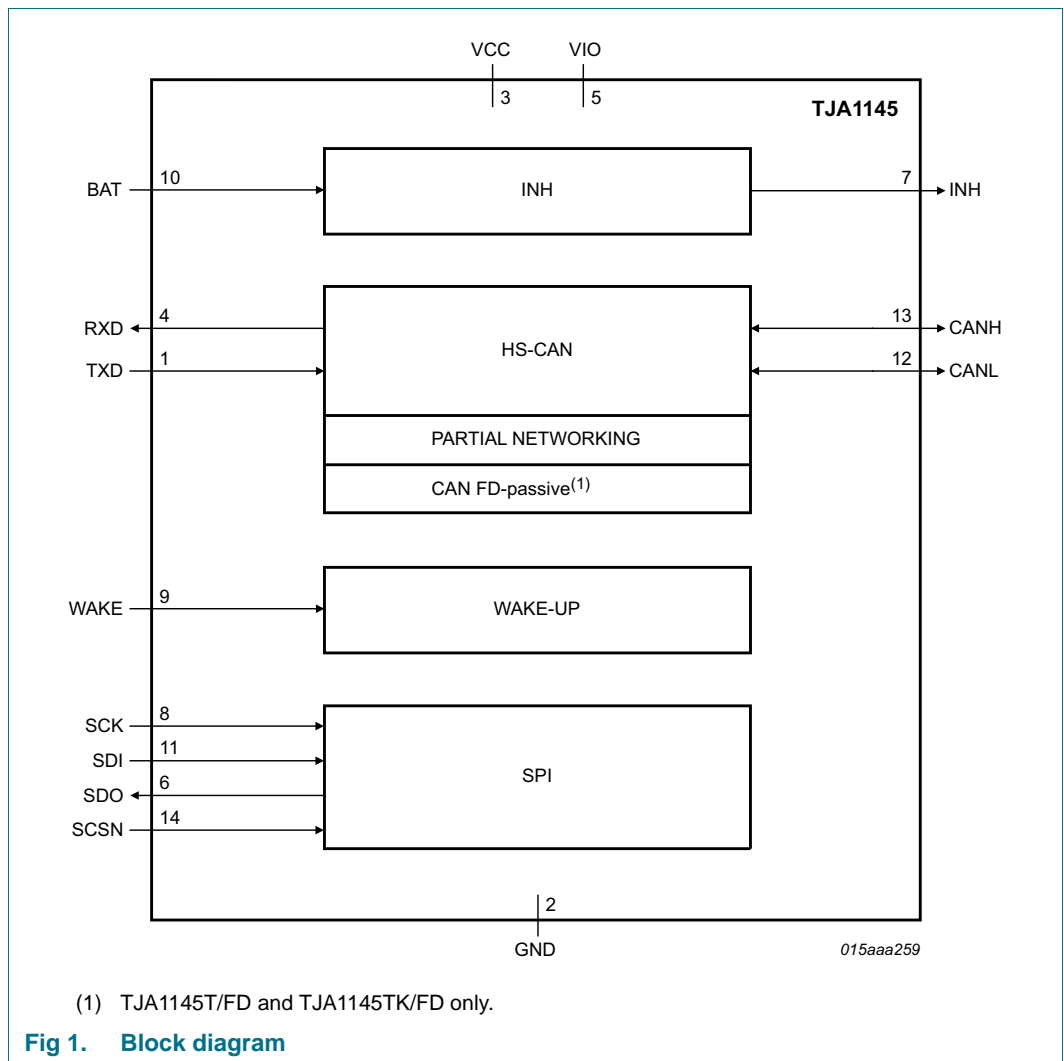
| Symbol | Parameter | Conditions | Min | Typ | Max | Unit |
|-------------------|------------------------------------------------|----------------------------------------------------------------------------------------------------------------------------------|------|-----|------|--------------------|
| V_{BAT} | battery supply voltage | | 4.5 | - | 28 | V |
| V_{CC} | supply voltage | | 4.5 | - | 5.5 | V |
| V_{IO} | supply voltage on pin V_{IO} | | 2.85 | - | 5.5 | V |
| $V_{th(det)poff}$ | power-off detection threshold voltage | V_{BAT} falling | 2.8 | - | 3 | V |
| $V_{uvd(VCC)}$ | undervoltage detection voltage on pin V_{CC} | | 4.5 | - | 4.75 | V |
| $V_{uvd(VIO)}$ | undervoltage detection voltage on pin V_{IO} | $V_{BAT} > 4.5$ V | 2.7 | - | 2.85 | V |
| I_{BAT} | battery supply current | Normal mode | - | 1 | 1.5 | mA |
| | | Sleep mode; CAN Offline mode; $-40\text{ }^{\circ}\text{C} < T_{vj} < 85\text{ }^{\circ}\text{C}$; $V_{BAT} = 7$ V to 18 V | - | 40 | 59 | μA |
| | | Standby mode; CAN Offline mode; $-40\text{ }^{\circ}\text{C} < T_{vj} < 85\text{ }^{\circ}\text{C}$; $V_{BAT} = 7$ V to 18 V | - | 44 | 68 | μA |
| I_{CC} | supply current | CAN Active mode; CAN recessive; $V_{TXD} = V_{IO}$ | - | 3 | 6 | mA |
| | | CAN Active mode; CAN dominant; $V_{TXD} = 0$ V | - | 45 | 65 | mA |
| | | Standby/Normal mode; CAN inactive; $-40\text{ }^{\circ}\text{C} < T_{vj} < 85\text{ }^{\circ}\text{C}$ | - | 4.7 | 8.5 | μA |
| | | Sleep mode; CAN inactive; $-40\text{ }^{\circ}\text{C} < T_{vj} < 85\text{ }^{\circ}\text{C}$ | - | 3.8 | 7 | μA |
| I_{IO} | supply current on pin V_{IO} | Standby/Normal mode; $-40\text{ }^{\circ}\text{C} < T_{vj} < 85\text{ }^{\circ}\text{C}$ | - | 7.1 | 11 | μA |
| | | Sleep mode; $-40\text{ }^{\circ}\text{C} < T_{vj} < 85\text{ }^{\circ}\text{C}$ | - | 5 | 8 | μA |
| V_{ESD} | electrostatic discharge voltage | IEC 61000-4-2 on pins CANH, CANL | -6 | - | +6 | kV |
| V_{CANH} | voltage on pin CANH | | -58 | - | +58 | V |
| V_{CANL} | voltage on pin CANL | | -58 | - | +58 | V |
| T_{vj} | virtual junction temperature | | -40 | - | +150 | $^{\circ}\text{C}$ |

4. Ordering information

Table 2. Ordering information

| Type number | Package | | Version |
|--------------|---------|----------------------------------------------------------------------------------------------------------|-----------|
| | Name | Description | |
| TJA1145T | SO14 | plastic small outline package; 14 leads; body width 3.9 mm | SOT108-1 |
| TJA1145T/FD | SO14 | plastic small outline package; 14 leads; body width 3.9 mm | SOT108-1 |
| TJA1145TK | HVSON14 | plastic thermal enhanced very thin small outline package; no leads; 14 terminals; body 3 × 4.5 × 0.85 mm | SOT1086-2 |
| TJA1145TK/FD | HVSON14 | plastic thermal enhanced very thin small outline package; no leads; 14 terminals; body 3 × 4.5 × 0.85 mm | SOT1086-2 |

5. Block diagram



6. Pinning information

6.1 Pinning

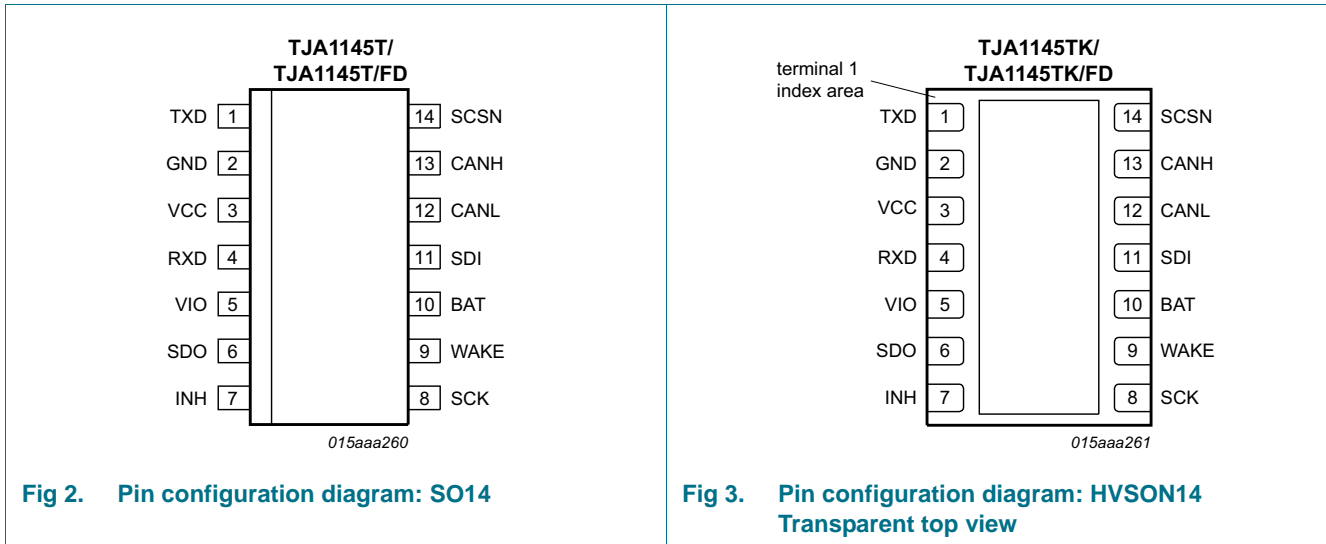


Fig 2. Pin configuration diagram: SO14

Fig 3. Pin configuration diagram: HVSON14 Transparent top view

6.2 Pin description

Table 3. Pin description

| Symbol | Pin | Description |
|--------|------------------|----------------------------------------------------------|
| TXD | 1 | transmit data input |
| GND | 2 ^[1] | ground |
| VCC | 3 | 5 V CAN transceiver supply voltage |
| RXD | 4 | receive data output; reads out data from the bus lines |
| VIO | 5 | supply voltage for I/O level adaptor |
| SDO | 6 | SPI data output |
| INH | 7 | inhibit output for switching external voltage regulators |
| SCK | 8 | SPI clock input |
| WAKE | 9 | local wake-up input |
| BAT | 10 | battery supply voltage |
| SDI | 11 | SPI data input |
| CANL | 12 | LOW-level CAN bus line |
| CANH | 13 | HIGH-level CAN bus line |
| SCSN | 14 | SPI chip select input |

[1] HVSON14 package die supply ground is connected to both the GND pin and the exposed center pad. The GND pin must be soldered to board ground. For enhanced thermal and electrical performance, it is recommended that the exposed center pad also be soldered to board ground

7. Functional description

The TJA1145 is a stand-alone high-speed CAN transceiver containing a variety of fail-safe and diagnostic features that offer enhanced system reliability and advanced power management. The transceiver combines the functionality of the TJA1043 with ISO 11898-2:2016 compliant CAN partial networking and autonomous bus biasing.

7.1 System controller

The system controller manages register configuration and controls the internal functions of the TJA1145. Detailed device status information is collected and made available to the microcontroller.

7.1.1 Operating modes

The system controller contains a state machine that supports five operating modes: Normal, Standby, Sleep, Overtemp and Off. The state transitions are illustrated in [Figure 4](#).

7.1.1.1 Normal mode

Normal mode is the active operating mode. In this mode, the TJA1145 is fully operational. All device hardware is available and can be activated (see [Table 4](#)).

Normal mode can be selected from Standby or Sleep mode via an SPI command (MC = 111).

7.1.1.2 Standby mode

Standby mode is the first-level power-saving mode of the TJA1145, featuring low current consumption. The transceiver is unable to transmit or receive data in Standby mode, but the INH pin remains active so voltage regulators controlled by this pin will be active.

If remote CAN wake-up is enabled (CWE = 1; see [Table 22](#)), the receiver monitors bus activity for a wake-up request. The bus pins are biased to GND (via $R_{i(cm)}$) when the bus is inactive and at approximately 2.5 V when there is activity on the bus (autonomous biasing). CAN wake-up can occur via a standard wake-up pattern or via a selective wake-up frame (selective wake-up is enabled when CPNC = PNCOK = 1; otherwise standard wake-up is enabled).

Pin RXD is forced LOW when any enabled wake-up or interrupt event is detected (see [Section 7.6](#)).

The TJA1145 switches to Standby mode:

- from Off mode if the battery voltage rises above the power-on detection threshold, $V_{th(det)pon}$.
- from Overtemp mode if the chip temperature falls below the overtemperature protection release threshold, $T_{th(rel)otp}$.
- from Sleep mode on the occurrence of a wake-up or interrupt event (see [Section 7.6](#))
- from Normal or Sleep mode via an SPI command (MC = 100)
- from Normal mode if Sleep mode is selected via an SPI command (MC = 001) while a wake-up event is pending or all wake-up sources are disabled

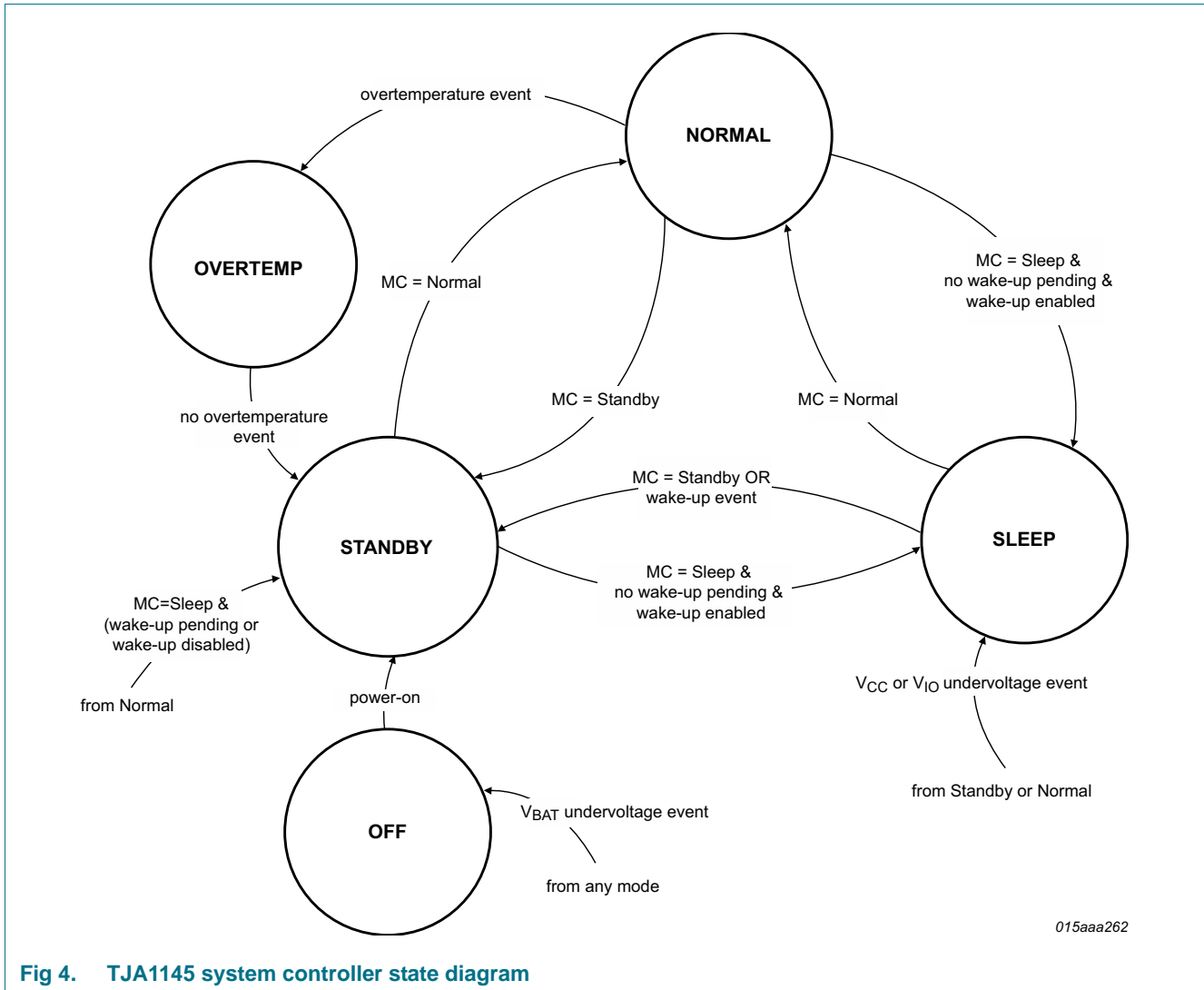


Fig 4. TJA1145 system controller state diagram

7.1.1.3 Sleep mode

Sleep mode is the second-level power saving mode of the TJA1145. In Sleep mode, the transceiver behaves as in Standby Mode with the exception that pin INH is set to a high-ohmic state. Voltage regulators controlled by this pin will be switched off, and the current into pin BAT will be reduced to a minimum.

Any enabled wake-up or interrupt event (except SPIF), or an SPI command (provided a valid V_{IO} voltage is connected), will wake up the transceiver from Sleep mode.

Sleep mode can be selected from Normal or Standby mode via an SPI command (MC = 001). The TJA1145 will switch to Sleep mode on receipt of this command, provided there are no pending wake-up events and at least one regular wake-up source (CAN bus or WAKE pin; see Section 7.6) is enabled. Any attempt to enter Sleep mode while one of these conditions has not been met will cause the TJA1145 to switch to Standby mode.

The TJA1145 will also be forced to switch to Sleep mode if a V_{CC} or V_{IO} undervoltage event is detected ($V_{CC}/V_{IO} < V_{UVD(VCC)}/V_{UVD(VIO)}$) for longer than $t_{det(uv)(VCC)}/t_{det(uv)(VIO)}$. In this event, all pending wake-up events will be cleared. CAN wake-up (CWE = 1) and local wake-up via the WAKE pin (WPFE = WPRE = 1) are enabled in order to avoid a system deadlock (see [Section 7.11](#)) and selective wake-up is disabled (CPNC = 0).

Status bit FSMS in the Main status register ([Table 6](#)) indicates whether a transition to Sleep mode was selected via an SPI command (FSMS = 0) or was forced by an undervoltage event on VCC or VIO (FSMS = 1). This bit can be read after the TJA1145 wakes up from Sleep mode to allow the settings of CWE, WPFE, WPRE and CPNC to be re-adjusted if an undervoltage event forced the transition to Sleep mode (FSMS = 1).

7.1.1.4 Off mode

The TJA1145 will be in Off mode when the battery voltage is too low to supply the IC. This is the default mode when the battery is first connected. The TJA1145 will switch to Off mode from any mode if the battery voltage drops below the power-off threshold ($V_{th(det)po\text{ff}}$). In Off mode, the CAN pins and pin INH are in a high-ohmic state.

When the battery supply voltage rises above the power-on threshold ($V_{th(det)po\text{n}}$), the TJA1145 starts to boot up, triggering an initialization procedure. The TJA1145 will switch to Standby mode after $t_{startup}$.

7.1.1.5 Overtemp mode

Overtemp mode is provided to prevent TJA1145 being damaged by excessive temperatures. The TJA1145 switches immediately to Overtemp mode from Normal mode when the global chip temperature rises above the overtemperature protection activation threshold, $T_{th(act)otp}$.

To help prevent the loss of data due to overheating, the TJA1145 issues a warning when the IC temperature rises above the overtemperature warning threshold ($T_{th(warn)otp}$). When this happens, status bit OTWS is set and an overtemperature interrupt is generated (OTW = 1), if enabled (OTWE = 1).

In Overtemp mode, the CAN transmitter and receiver are disabled and the CAN pins are in a high-ohmic state. No wake-up event will be detected, but a pending wake-up will still be signalled by a LOW level on pin RXD.

The TJA1145 exits Overtemp mode:

- and switches to Standby mode if the chip temperature falls below the overtemperature protection release threshold, $T_{th(rel)otp}$
- if the device is forced to switch to Off mode ($V_{BAT} < V_{th(det)po\text{ff}}$)

7.1.1.6 Hardware characterization for the TJA1145 operating modes

Table 4. Hardware characterization by functional block

| Block | Operating mode | | | | |
|-------|-----------------------|-----------------------------------------------------|--------------------------------------------------------------------|-----------------------------------------------------|----------------------------------------------|
| | Off | Standby | Normal | Sleep | Overtemp |
| SPI | disabled | active | active | active if V _{IO} supplied ^[1] | disabled |
| INH | high-ohmic | V _{BAT} level | V _{BAT} level | high-ohmic | V _{BAT} level |
| CAN | off | Offline | Active/ Offline/ Listen-only (determined by bits CMC; see Table 7) | Offline | off |
| RXD | V _{IO} level | V _{IO} level/LOW if wake-up event detected | CAN bit stream if CMC = 01/10/11; otherwise same as Standby/Sleep | V _{IO} level/LOW if wake-up event detected | V _{IO} level/LOW if wake-up pending |

[1] SPI speed is limited in Sleep mode (see Table 35).

7.1.2 System control registers

The operating mode is selected via bits MC in the Mode control register. The Mode control register is accessed via SPI address 0x01 (see Section 7.12).

Table 5. Mode control register (address 01h)

| Bit | Symbol | Access | Value | Description |
|-----|----------|--------|-------|---------------|
| 7:3 | reserved | R | - | |
| 2:0 | MC | R/W | | mode control: |
| | | | 001 | Sleep mode |
| | | | 100 | Standby mode |
| | | | 111 | Normal mode |

The Main status register can be accessed to monitor the status of the overtemperature warning flag and to determine whether the TJA1145 has entered Normal mode after initial power-up. Bit FSMS indicates whether the most recent transition to Sleep mode was triggered by an undervoltage event or by an SPI command.

Table 6. Main status register (address 03h)

| Bit | Symbol | Access | Value | Description |
|-----|----------|--------|-------|---------------------------------------------------------------------|
| 7 | FSMS | R | | Sleep mode transition status: |
| | | | 0 | transition to Sleep mode triggered by an SPI command |
| | | | 1 | an undervoltage on VCC and/or VIO forced a transition to Sleep mode |
| 6 | OTWS | R | | overtemperature warning status: |
| | | | 0 | IC temperature below overtemperature warning threshold |
| | | | 1 | IC temperature above overtemperature warning threshold |
| 5 | NMS | R | | Normal mode status: |
| | | | 0 | TJA1145 has entered Normal mode (after power-up) |
| | | | 1 | TJA1145 has powered up but has not yet switched to Normal mode |
| 4:0 | reserved | R | - | |

7.2 High-speed CAN transceiver

The integrated high-speed CAN transceiver is designed for active communication at bit rates up to 1 Mbit/s, providing differential transmit and receive capability to a CAN protocol controller. The transceiver is ISO 11898-2:2016 compliant (defining high-speed CAN with selective wake-up functionality and autonomous bus biasing). The CAN transmitter is supplied via pin VCC while the CAN receiver is supplied via pin BAT. The TJA1145 includes additional timing parameters on loop delay symmetry to ensure reliable communication in fast phase at data rates up to 2 Mbit/s, as used in CAN FD networks.

The CAN transceiver supports autonomous CAN biasing, which helps to minimize RF emissions. CANH and CANL are always biased to 2.5 V when the transceiver is in Active or Listen-only modes (CMC = 01/10/11).

Autonomous biasing is active in CAN Offline mode - to 2.5 V if there is activity on the bus (CAN Offline Bias mode) and to GND if there is no activity on the bus for $t > t_{\text{to(silence)}}$ (CAN Offline mode).

This is useful when the node is disabled due to a malfunction in the microcontroller or when CAN partial networking is enabled. The TJA1145 ensures that the CAN bus is correctly biased to avoid disturbing ongoing communication between other nodes. The autonomous CAN bias voltage is derived directly from V_{BAT} .

7.2.1 CAN operating modes

The integrated CAN transceiver supports four operating modes: Active, Listen-only, Offline and Offline Bias (see [Figure 5](#)). The CAN transceiver operating mode depends on the TJA1145 operating mode and on the setting of bits CMC in the CAN control register ([Table 7](#)).

When the TJA1145 is in Normal mode, the CAN transceiver operating mode (Offline, Active or Listen-only) can be selected via bits CMC in the CAN control register ([Table 7](#)). When the TJA1145 is in Standby or Sleep modes, the transceiver is forced to Offline or Offline Bias mode (depending on bus activity).

7.2.1.1 CAN Active mode

In CAN Active mode, the transceiver can transmit and receive data via CANH and CANL. The differential receiver converts the analog data on the bus lines into digital data, which is output on pin RXD. The transmitter converts digital data generated by the CAN controller (input on pin TXD) into analog signals suitable for transmission over the CANH and CANL bus lines.

CAN Active mode is selected when CMC = 01 or 10. When CMC = 01, V_{CC} undervoltage detection is enabled and the transceiver switches to CAN Offline or CAN Offline Bias mode when the voltage on V_{CC} drops below the 90 % threshold. When CMC = 10, V_{CC} undervoltage detection is disabled. The transmitter will remain active until the TJA1145 is forced into Sleep mode by the V_{CC} undervoltage event; the transceiver will then switch to CAN Offline or CAN Offline Bias mode.

The CAN transceiver is in Active mode when:

- the TJA1145 is in Normal mode (MC = 111) and the CAN transceiver has been enabled by setting bits CMC in the CAN control register to 01 or 10 (see [Table 7](#)) and:

- if CMC = 01, the voltage on pin VCC is above the V_{CC} undervoltage detection threshold (V_{uvd}(V_{CC}))

If pin TXD is held LOW (e.g. by a short-circuit to GND) when CAN Active mode is selected via bits CMC, the transceiver will not enter CAN Active mode but will switch to or remain in CAN Listen-only mode. It will remain in Listen-only mode until pin TXD goes HIGH in order to prevent a hardware and/or software application failure from driving the bus lines to an unwanted dominant state.

In CAN Active mode, the CAN bias voltage is derived from V_{CC}.

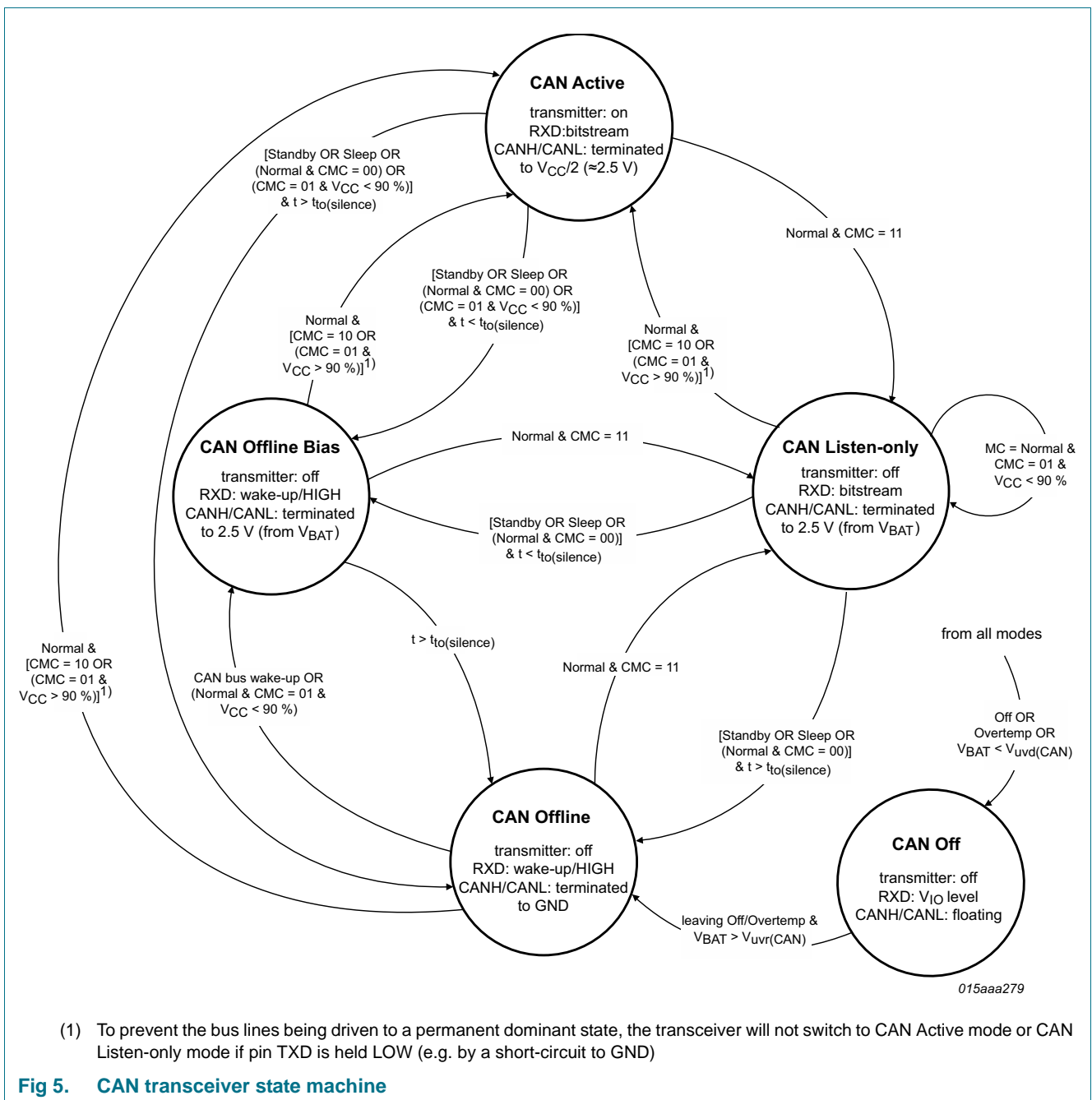


Fig 5. CAN transceiver state machine

The application can determine whether the CAN transceiver is ready to transmit/receive data or is disabled by reading the CAN Transceiver Status (CTS) bit in the Transceiver Status Register (Table 8).

7.2.1.2 CAN Listen-only mode

CAN Listen-only mode allows the TJA1145 to monitor bus activity while the transceiver is inactive, without influencing bus levels. This facility could be used by development tools that need to listen to the bus but do not need to transmit or receive data or for software-driven selective wake-up. Dedicated microcontrollers could be used for selective wake-up, providing an embedded low-power CAN engine designed to monitor the bus for potential wake-up events.

In Listen-only mode the CAN transmitter is disabled, reducing current consumption. The CAN receiver and CAN biasing remain active. This enables the host microcontroller to switch to a low-power mode in which an embedded CAN protocol controller remains active, waiting for a signal to wake up the microcontroller.

The CAN transceiver is in Listen-only mode when:

- the TJA1145 is in Normal mode and CMC = 11

The CAN transceiver will not leave Listen-only mode while TXD is LOW or CAN Active mode is selected with CMC = 01 while the voltage on V1 is below the 90 % undervoltage threshold.

7.2.1.3 CAN Offline and Offline Bias modes

In CAN Offline mode, the transceiver monitors the CAN bus for a wake-up event, provided CAN wake-up detection is enabled (CWE = 1). CANH and CANL are biased to GND.

CAN Offline Bias mode is the same as CAN Offline mode, with the exception that the CAN bus is biased to 2.5 V. This mode is activated automatically when activity is detected on the CAN bus while the transceiver is in CAN Offline mode. The transceiver will return to CAN Offline mode if the CAN bus is silent (no CAN bus edges) for longer than $t_{to(silence)}$.

The CAN transceiver switches to CAN Offline mode from CAN Active mode or CAN Listen-only mode if:

- the TJA1145 switches to Standby or Sleep mode OR
- the TJA1145 is in Normal mode and CMC = 00

provided the CAN-bus has been inactive for at least $t_{to(silence)}$. If the CAN-bus has been inactive for less than $t_{to(silence)}$, the CAN transceiver switches first to CAN Offline Bias mode and then to CAN Offline mode once the bus has been silent for $t_{to(silence)}$.

The CAN transceiver switches to CAN Offline/Offline Bias mode from CAN Active mode if CMC = 01 and the voltage on VCC drops below the 90 % undervoltage threshold or if CMC = 10 and the TJA1145 switches to Sleep mode in response to a VCC undervoltage event.

The CAN transceiver switches to CAN Offline mode:

- from CAN Offline Bias mode if no activity is detected on the bus (no CAN edges) for $t > t_{to(silence)}$ OR

- when the TJA1145 switches from Off or Overtemp mode to Standby mode

The CAN transceiver switches from CAN Offline mode to CAN Offline Bias mode if:

- a standard wake-up pattern (according to ISO 11898-2:2016) is detected on the CAN bus OR
- the CAN transceiver is in Normal mode, CMC = 01 and $V_{CC} < 90\%$

7.2.1.4 CAN Off mode

The CAN transceiver is switched off completely with the bus lines floating when:

- the TJA1145 switches to Off or Overtemp mode OR
- V_{BAT} falls below the CAN receiver undervoltage detection threshold, $V_{uvd(CAN)}$

It will be switched on again on entering CAN Offline mode when V_{BAT} rises above the undervoltage recovery threshold ($V_{uvr(CAN)}$) and the CAN transceiver is no longer in Off/Overtemp mode. CAN Off mode prevents reverse currents flowing from the bus when the battery supply to the CAN transceiver is lost.

7.2.2 CAN standard wake-up (partial networking not enabled)

If the CAN transceiver is in Offline mode and CAN wake-up is enabled (CWE = 1), but CAN selective wake-up is disabled (CPNC = 0 or PNCOK = 0), the TJA1145 will monitor the bus for a standard wake-up pattern.

A filter at the receiver input prevents unwanted wake-up events occurring due to automotive transients or EMI. This filtering helps avoid spurious wake-up events. A spurious wake-up sequence could be triggered by, for example, a dominant clamped bus or by dominant phases due to noise or spikes on the bus.

The TJA1145 wakes up from Standby or Sleep mode when a dedicated wake-up pattern (specified in ISO 11898-2:2016) is detected on the bus.

The wake-up pattern consists of:

- a dominant phase of at least $t_{wake(busdom)}$ followed by
- a recessive phase of at least $t_{wake(busrec)}$ followed by
- a dominant phase of at least $t_{wake(busdom)}$

Dominant or recessive bits between the above mentioned phases that are shorter than $t_{wake(busdom)}$ and $t_{wake(busrec)}$ respectively are ignored.

The complete dominant-recessive-dominant pattern must be received within $t_{to(wake)bus}$ to be recognized as a valid wake-up pattern (see [Figure 6](#)). Otherwise, the internal wake-up logic is reset. The complete wake-up pattern will then need to be retransmitted to trigger a wake-up event. Pin RXD remains HIGH until the wake-up event has been triggered.

When a valid CAN wake-up pattern is detected on the bus, wake-up bit CW in the Transceiver event status register is set (see [Table 19](#)) and pin RXD is driven LOW. If the TJA1145 was in Sleep mode when the wake-up pattern was detected, it will switch pin INH to V_{BAT} to activate external voltage regulators (e.g. for supplying V_{CC} and V_{IO}) and enter Standby mode.

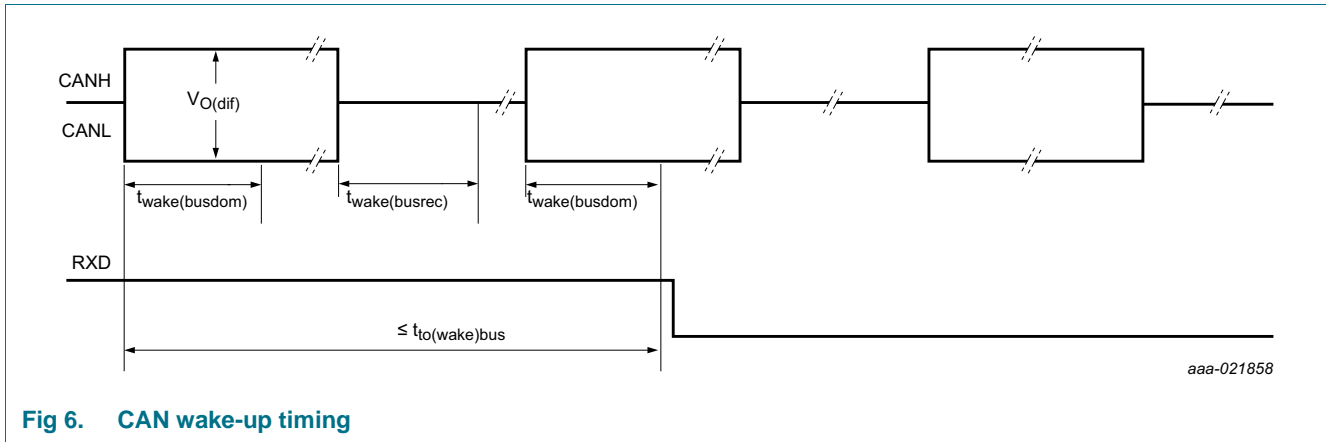


Fig 6. CAN wake-up timing

7.2.3 CAN control and Transceiver status registers

Table 7. CAN control register (address 20h)

| Bit | Symbol | Access | Value | Description |
|-----|----------|--------|-------|-------------------------------------------------------------------------------------------------------------------------------------------------------------------------------------------|
| 7 | reserved | R | - | |
| 6 | CFDC | R/W | | CAN FD tolerance (TJA1145T/FD and TJA1145TK/FD only; otherwise ignored) |
| | | | 0 | CAN FD tolerance disabled |
| | | | 1 | CAN FD tolerance enabled |
| 5 | PNCOK | R/W | | CAN partial networking configuration: |
| | | | 0 | partial networking register configuration invalid (wake-up via standard wake-up pattern only) |
| | | | 1 | partial networking registers configured successfully |
| 4 | CPNC | R/W | | CAN selective wake-up; when enabled, node is part of a partial network: |
| | | | 0 | disable CAN selective wake-up |
| | | | 1 | enable CAN selective wake-up |
| 3:2 | reserved | R | - | |
| 1:0 | CMC | R/W | | CAN transceiver operating mode selection: |
| | | | 00 | Offline mode |
| | | | 01 | Active mode (when the TJA1145 is in Normal mode); V _{CC} 90 % undervoltage detection active |
| | | | 10 | Active mode (when the TJA1145 is in Normal mode); V _{CC} undervoltage detection inactive; TJA1145 switches from Normal to Off mode when V _{BAT} < V _{Uvd(CAN)} |
| | | | 11 | Listen-only mode |

Table 8. Transceiver status register (address 22h)

| Bit | Symbol | Access | Value | Description |
|-----|--------|--------|-------|------------------------------------|
| 7 | CTS | R | | CAN transceiver status: |
| | | | 0 | CAN transceiver not in Active mode |
| | | | 1 | CAN transceiver in Active mode |

Table 8. Transceiver status register (address 22h) ...continued

| Bit | Symbol | Access | Value | Description |
|-----|--------------------|--------|-------|-----------------------------------------------------------------------------------------------------------|
| 6 | CPNERR | R | | CAN partial networking error status: |
| | | | 0 | no CAN partial networking error detected (PNFDE = 0 AND PNCOK = 1) |
| | | | 1 | CAN partial networking error detected (PNFDE = 1 OR PNCOK = 0); wake-up via standard wake-up pattern only |
| 5 | CPNS | R | | CAN partial networking status: |
| | | | 0 | CAN partial networking configuration error detected (PNCOK = 0) |
| | | | 1 | CAN partial networking configuration OK (PNCOK = 1) |
| 4 | COSCS | R | | CAN oscillator status: |
| | | | 0 | CAN partial networking oscillator not running at target frequency |
| | | | 1 | CAN partial networking oscillator running at target frequency |
| 3 | CBSS | R | | CAN bus silence status: |
| | | | 0 | CAN bus active (communication detected on bus) |
| | | | 1 | CAN bus inactive (for longer than $t_{to(silence)}$) |
| 2 | reserved | R | - | |
| 1 | VCS ^[1] | R | | V_{CC} supply voltage status: |
| | | | 0 | V_{CC} is above the undervoltage detection threshold ($V_{uvd(VCC)}$) |
| | | | 1 | V_{CC} is below the undervoltage detection threshold ($V_{uvd(VCC)}$) |
| 0 | CFS | R | | CAN failure status: |
| | | | 0 | no TXD dominant time-out event detected |
| | | | 1 | CAN transmitter disabled due to a TXD dominant time-out event |

[1] Only active when CMC = 01.

7.3 CAN partial networking

Partial networking allows nodes in a CAN network to be selectively activated in response to dedicated wake-up frames (WUF). Only nodes that are functionally required are active on the bus while the other nodes remain in a low-power mode until needed.

If both CAN wake-up (CWE = 1) and CAN selective wake-up (CPNC = 1) are enabled, and the partial networking registers are configured correctly (PNCOK = 1), the transceiver monitors the bus for dedicated CAN wake-up frames.

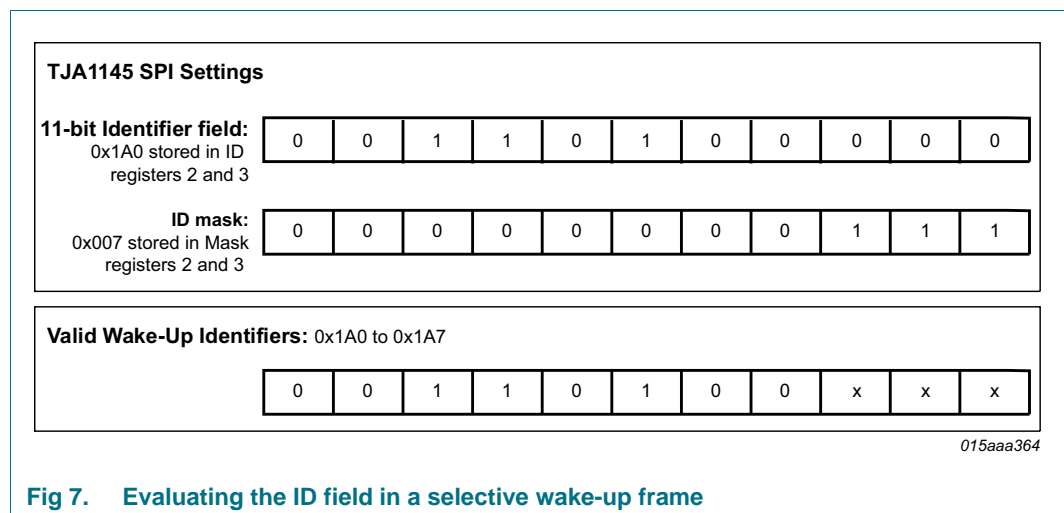
7.3.1 Wake-up frame (WUF)

A wake-up frame is a CAN frame according to ISO 11898-1:2015, consisting of an identifier field (ID), a Data Length Code (DLC), a data field and a Cyclic Redundancy Check (CRC) code including the CRC delimiter.

The wake-up frame format, standard (11-bit) or extended (29-bit) identifier, is selected via bit IDE in the Frame control register (Table 12).

A valid WUF identifier is defined and stored in the ID registers (Table 10). An ID mask can be defined to allow a group of identifiers to be recognized as valid by an individual node. The identifier mask is defined in the mask registers (Table 11), where a 1 means 'don't care'.

In the example illustrated in Figure 7, based on the standard frame format, the 11-bit identifier is defined as 0x1A0. The identifier is stored in ID registers 2 (0x29) and 3 (0x2A). The three least significant bits of the ID mask, bits 2 to 4 of Mask register 2 (0x2D) are set to 1, which means that the corresponding identifier bits are 'don't care'. This means that any of eight different identifiers will be recognized as valid in the received WUF (from 0x1A0 to 0x1A7).



The data field indicates which nodes are to be woken up. Within the data field, groups of nodes can be pre-defined and associated with bits in a data mask. By comparing the incoming data field with the data mask, multiple groups of nodes can be woken up simultaneously with a single wake-up message.

The data length code (bits DLC in the Frame control register; [Table 12](#)) determines the number of data bytes (between 0 and 8) expected in the data field of a CAN wake-up frame. If one or more data bytes are expected (DLC ≠ 0000), at least one bit in the data field of the received wake-up frame must be set to 1 and at least one equivalent bit in the associated data mask register in the transceiver (see [Table 13](#)) must also be set to 1 for a successful wake-up. Each matching pair of 1s indicates a group of nodes to be activated (since the data field is up to 8 bytes long, up to 64 groups of nodes can be defined).

If DLC = 0000, a node will wake up if the WUF contains a valid identifier and the received data length code is 0000, regardless of the values stored in the data mask. If DLC ≠ 0000 and all data mask bits are set to 0, the device cannot be woken up via the CAN bus (note that all data mask bits are set to 1 by default; see [Table 31](#)). If a WUF contains a valid ID but the DLCs (in the Frame control register and in the WUF) don't match, the data field is ignored and no nodes are woken up.

In the example illustrated in [Figure 8](#), the data field consists of a single byte (DLC = 1). This means that the data field in the incoming wake-up frame is evaluated against data mask 7 (stored at address 6Fh; see [Table 13](#) and [Figure 9](#)). Data mask 7 is defined as 10101000 in the example. This means that up to three groups of nodes could be woken up (group 1, 3 and 5) if the respective bits in the data frame are also set to 1.

The received message shown in [Figure 8](#) could, potentially, wake up four groups of nodes: groups 2, 3, 4 and 5. Two matches are found (groups 3 and 5) when the message data bits are compared with the configured data mask (DM7).

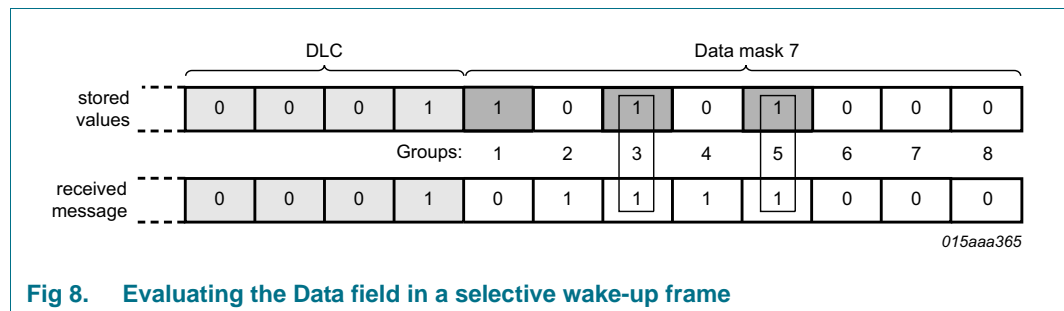


Fig 8. Evaluating the Data field in a selective wake-up frame

Optionally, the data length code and the data field can be excluded from the evaluation of the wake-up frame. If bit PNDM = 0, only the identifier field is evaluated to determine if the frame contains a valid wake-up message. If PNDM = 1 (the default value), the data field is included in the wake-up filtering.

When PNDM = 0, a valid wake-up message is detected and a wake-up event is captured (and CW is set to 1) when:

- the identifier field in the received wake-up frame matches the pattern in the ID registers after filtering AND
- the CRC field in the received frame (including a recessive CRC delimiter) was received without error

When PNDM = 1, a valid wake-up message is detected when:

- the identifier field in the received wake-up frame matches the pattern in the ID registers after filtering AND
- the frame is not a Remote frame AND

- the data length code in the received message matches the configured data length code (bits DLC) AND
- if the data length code is greater than 0, at least one bit in the data field of the received frame is set and the corresponding bit in the associated data mask register is also set AND
- the CRC field in the received frame (including a recessive CRC delimiter) was received without error

If the TJA1145 receives a CAN message containing errors (e.g. a 'stuffing' error) transmitted in advance of the ACK field, an internal error counter is incremented. If a CAN message is received without any errors appearing in front of the ACK field, the counter is decremented. Data received after the CRC delimiter and before the next SOF is ignored by the partial networking module. If the counter overflows (counter > 31), a frame detect error is captured (PNFDE = 1) and the device wakes up; the counter is reset to zero when the bias is switched off and partial networking is re-enabled.

Partial networking is assumed to be configured correctly when PNCOK is set to 1 by the application software. The TJA1145 clears PNCOK after a write access to any of the CAN partial networking configuration registers (see [Section 7.3.3](#)).

If selective wake-up is disabled (CPNC = 0) or partial networking is not configured correctly (PNCOK = 0), and the CAN transceiver is in Offline mode with wake-up enabled (CWE = 1), then any valid wake-up pattern (according to ISO 11898-2:2016) will trigger a wake-up event.

If the CAN transceiver is not in Offline mode (CMC ≠ 00) or CAN wake-up is disabled (CWE = 0), all wake-up patterns on the bus will be ignored.

CAN bit rates of 50 kbit/s, 100 kbit/s, 125 kbit/s, 250 kbit/s, 500 kbit/s and 1 Mbit/s are supported during selective wake-up. The bit rate is selected via bits CDR (see [Table 9](#)).

7.3.2 CAN FD frames

CAN FD stands for 'CAN with Flexible Data-Rate'. It is based on the CAN protocol as specified in ISO 11898-1:2015.

CAN FD is being gradually introduced into the automotive market. In time, all CAN controllers will be required to comply with the new standard (enabling 'FD-active' nodes) or at least to tolerate CAN FD communication (enabling 'FD-passive' nodes). The TJA1145x/FD variants support FD-passive features by means of a dedicated implementation of the partial networking protocol.

These variants can be configured to recognize CAN FD frames as valid frames. When CFDC = 1, the error counter is decremented every time the control field of a CAN FD frame is received. The TJA1145x/FD remains in low-power mode (CAN FD-passive) with partial networking enabled. CAN FD frames are never recognized as valid wake-up frames, even if PNDM = 0 and the frame contains a valid ID. After receiving the control field of a CAN FD frame, the TJA1145x/FD ignores further bus signals until idle is again detected.

CAN FD passive is supported up to a ratio of one-to-eight between arbitration and data bit rates, without unwanted wake-ups. The CAN FD filter parameter defined in ISO 11898-2:2016 and SAE J2284 is supported up to a ratio of one-to-four, with a maximum supported bit data bit rate of 2 Mbit/s and a maximum arbitration speed of 500 kbit/s.

CAN FD frames are interpreted as frames with errors by the partial networking module in the TJA1145, and in the TJA1145xFD variants when CFDC = 0. So the error counter is incremented when a CAN FD frame is received. If the ratio of CAN FD frames to valid CAN frames exceeds the threshold that triggers error counter overflow, bit PNFDE is set to 1 and the device wakes up.

7.3.3 CAN partial networking configuration registers

Dedicated registers are provided for configuring CAN partial networking.

Table 9. Data rate register (address 26h)

| Bit | Symbol | Access | Value | Description |
|-----|----------|-------------|-------|------------------------------------------------------------------|
| 7:3 | reserved | R | - | |
| 2:0 | CDR | R/W | | CAN data rate selection: |
| | | | 000 | 50 kbit/s |
| | | | 001 | 100 kbit/s |
| | | | 010 | 125 kbit/s |
| | | | 011 | 250 kbit/s |
| | | | 100 | reserved (intended for future use; currently selects 500 kbit/s) |
| | | | 101 | 500 kbit/s |
| | | | 110 | reserved (intended for future use; currently selects 500 kbit/s) |
| | 111 | 1000 kbit/s | | |

Table 10. ID registers 0 to 3 (addresses 27h to 2Ah)

| Addr. | Bit | Symbol | Access | Value | Description |
|-------|-----|-----------|--------|-------|-------------------------------------------------------------------------------------------------|
| 27h | 7:0 | ID7:ID0 | R/W | - | bits ID7 to ID0 of the extended frame format |
| 28h | 7:0 | ID15:ID08 | R/W | - | bits ID15 to ID8 of the extended frame format |
| 29h | 7:2 | ID23:ID18 | R/W | - | bits ID23 to ID18 of the extended frame format bits ID5 to ID0 of the standard frame format |
| | 1:0 | ID17:ID16 | R/W | - | bits ID17 to ID16 of the extended frame format |
| 2Ah | 7:5 | reserved | R | - | |
| | 4:0 | ID28:ID24 | R/W | - | bits ID28 to ID24 of the extended frame format bits ID10 to ID6 of the standard frame format |

Table 11. ID mask registers 0 to 3 (addresses 2Bh to 2Eh)

| Addr. | Bit | Symbol | Access | Value | Description |
|-------|-----|--------|--------|-------|-----------------------------------------------|
| 2Bh | 7:0 | M7:M0 | R/W | - | ID mask bits 7 to 0 of extended frame format |
| 2Ch | 7:0 | M15:M8 | R/W | - | ID mask bits 15 to 8 of extended frame format |

Table 11. ID mask registers 0 to 3 (addresses 2Bh to 2Eh) ...continued

| Addr. | Bit | Symbol | Access | Value | Description |
|-------|-----|----------|--------|-------|--------------------------------------------------------------------------------------------------|
| 2Dh | 7:2 | M23:M18 | R/W | - | ID mask bits 23 to 18 of extended frame format ID mask bits 5 to 0 of standard frame format |
| | 1:0 | M17:M16 | R/W | - | ID mask bits 17 to 16 of extended frame format |
| 2Eh | 7:5 | reserved | R | - | |
| | 4:0 | M28:M24 | R/W | - | ID mask bits 28 to 24 of extended frame format ID mask. bits 10 to 6 of standard frame format |

Table 12. Frame control register (address 2Fh)

| Bit | Symbol | Access | Value | Description |
|-----|----------|--------|--------------|--------------------------------------------------------------|
| 7 | IDE | R/W | - | identifier format: |
| | | | 0 | standard frame format (11-bit) |
| | | | 1 | extended frame format (29-bit) |
| 6 | PNDM | R/W | - | partial networking data mask: |
| | | | 0 | data length code and data field are 'don't care' for wake-up |
| | | | 1 | data length code and data field are evaluated at wake-up |
| 5:4 | reserved | R | - | |
| 3:0 | DLC | R/W | | number of data bytes expected in a CAN frame: |
| | | | 0000 | 0 |
| | | | 0001 | 1 |
| | | | 0010 | 2 |
| | | | 0011 | 3 |
| | | | 0100 | 4 |
| | | | 0101 | 5 |
| | | | 0110 | 6 |
| | | | 0111 | 7 |
| | | | 1000 | 8 |
| | | | 1001 to 1111 | tolerated, 8 bytes expected; DM0 ignored |

Table 13. Data mask registers (addresses 68h to 6Fh)

| Addr. | Bit | Symbol | Access | Value | Description |
|-------|-----|--------|--------|-------|---------------------------|
| 68h | 7:0 | DM0 | R/W | - | data mask 0 configuration |
| 69h | 7:0 | DM1 | R/W | - | data mask 1 configuration |
| 6Ah | 7:0 | DM2 | R/W | - | data mask 2 configuration |
| 6Bh | 7:0 | DM3 | R/W | - | data mask 3 configuration |
| 6Ch | 7:0 | DM4 | R/W | - | data mask 4 configuration |
| 6Dh | 7:0 | DM5 | R/W | - | data mask 5 configuration |
| 6Eh | 7:0 | DM6 | R/W | - | data mask 6 configuration |
| 6Fh | 7:0 | DM7 | R/W | - | data mask 7 configuration |

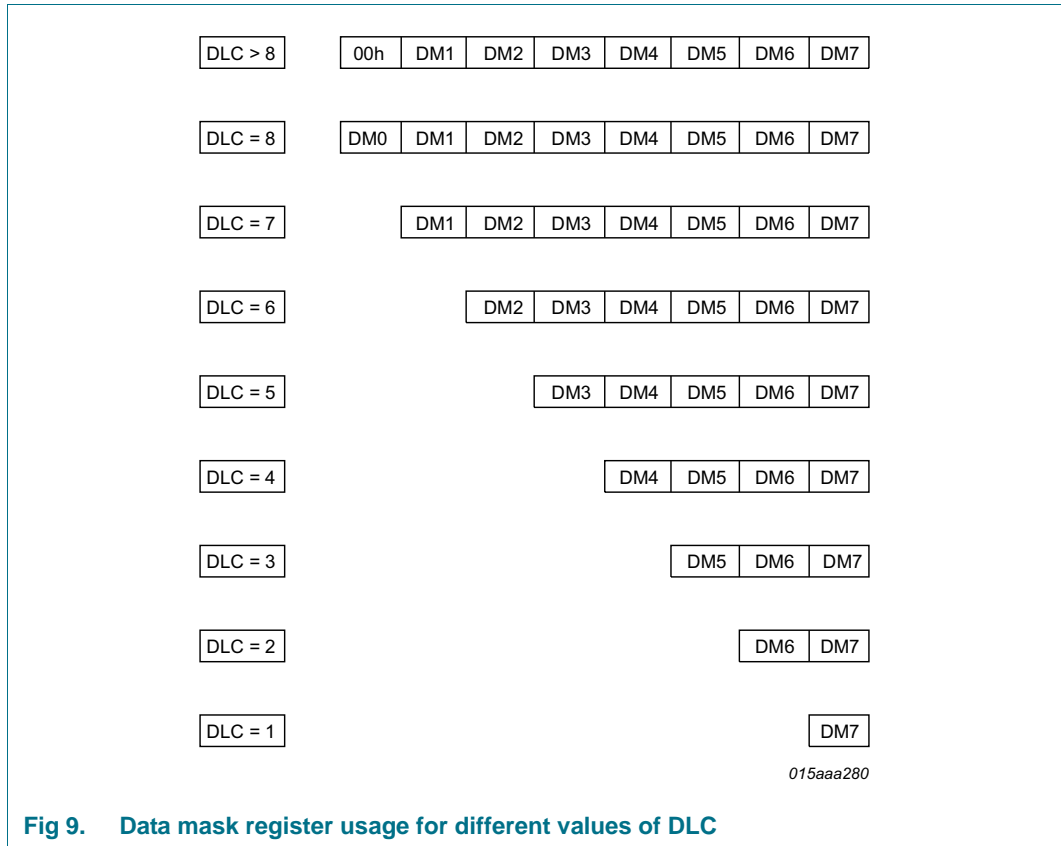


Fig 9. Data mask register usage for different values of DLC

7.4 Fail-safe features

7.4.1 TXD dominant time-out

A TXD dominant time-out timer is started when pin TXD is forced LOW while the transceiver is in Active Mode. If the LOW state on pin TXD persists for longer than the TXD dominant time-out time ($t_{to(dom)TXD}$), the transmitter is disabled, releasing the bus lines to recessive state. This function prevents a hardware and/or software application failure from driving the bus lines to a permanent dominant state (blocking all network communications). The TXD dominant time-out timer is reset when pin TXD goes HIGH. The TXD dominant time-out time also defines the minimum possible bit rate of 15 kbit/s.

When the TXD dominant time-out time is exceeded, a CAN failure interrupt is generated ($CF = 1$; see [Table 19](#)), if enabled ($CFE = 1$; see [Table 22](#)). In addition, the status of the TXD dominant time-out can be read via the CFS bit in the Transceiver status register ([Table 8](#)) and bit CTS is set to 0.

7.4.2 Pull-up on TXD pin

Pin TXD has an internal pull-up towards V_{IO} to ensure a safe defined recessive driver state in case the pin is left floating.

7.4.3 V_{CC} undervoltage event

An enabled CAN failure interrupt is generated ($CF = 1$) when the CAN transceiver supply voltage on VCC falls below the undervoltage detection threshold ($V_{UVD(VCC)}$), provided $CMC = 01$. In addition, status bit VCS is set to 1.

7.4.4 Loss of power at pin BAT

A loss of power at pin BAT has no influence on the bus lines or on the microcontroller. No reverse currents will flow from the bus.

7.5 Local wake-up via WAKE pin

Local wake-up is enabled via bits WPRE and WPFE in the WAKE pin event capture enable register (see [Table 23](#)). A wake-up event is triggered by a LOW-to-HIGH (if WPRE = 1) and/or a HIGH-to-LOW (if WPFE = 1) transition on the WAKE pin. This arrangement allows for maximum flexibility when designing a local wake-up circuit. In applications that don't make use of the local wake-up facility, local wake-up should be disabled and the WAKE pin connected to GND to ensure optimal EMI performance.

Table 14. WAKE status register (address 4Bh)

| Bit | Symbol | Access | Value | Description |
|-----|----------|--------|-------|----------------------------------------------------------------|
| 7:2 | reserved | R | - | |
| 1 | WPVS | R | | WAKE pin status: |
| | | | 0 | voltage on WAKE pin below switching threshold ($V_{th(sw)}$) |
| | | | 1 | voltage on WAKE pin above switching threshold ($V_{th(sw)}$) |
| 0 | reserved | R | - | |

While the TJA1145 is in Normal mode, the status of the voltage on pin WAKE can always be read via bit WPVS. Otherwise, WPVS is only valid if local wake-up is enabled (WPRE = 1 and/or WPFE = 1).

7.6 Wake-up and interrupt event diagnosis via pin RXD

Wake-up and interrupt event diagnosis in the TJA1145 is intended to provide the microcontroller with information on the status of a range of features and functions. This information is stored in the event status registers ([Table 18](#) to [Table 20](#)) and is signaled on pin RXD pin, if enabled.

A distinction is made between regular wake-up events and interrupt events (at least one regular wake-up source must be enabled to allow the TJA1145 to switch to Sleep mode; see [Section 7.1.1.3](#)).

Table 15. Regular wake-up events

| Symbol | Event | Power-on | Description |
|--------|--------------------------|----------|---------------------------------------------------------------------------------|
| CW | CAN wake-up | disabled | a CAN wake-up event was detected while the transceiver was in CAN Offline mode. |
| WPR | rising edge on WAKE pin | disabled | a rising-edge wake-up was detected on pin WAKE |
| WPF | falling edge on WAKE pin | disabled | a falling-edge wake-up was detected on pin WAKE |

Table 16. Interrupt events

| Symbol | Event | Power-on | Description |
|--------|--------------------------|----------------|------------------------------------------------------------------------------------------------------------------------------------------------------------------------------------------------------------------------------------------------------------------------------------------|
| PO | power-on | always enabled | the TJA1145 has exited Off mode (after battery power has been restored/connected) |
| OTW | overtemperature warning | disabled | the IC temperature has exceeded the overtemperature warning threshold (only detected in Normal mode) |
| SPIF | SPI failure | disabled | SPI clock count error (only 16-, 24- and 32-bit commands are valid), illegal MC code or attempted write access to locked register (an SPI failure event will not wake-up the TJA1145 from Sleep mode) |
| PNFDE | PN frame detection error | always enabled | partial networking frame detection error |
| CBS | CAN bus silence | disabled | no activity on CAN bus for $t_{to(silence)}$ (detected only when CBSE = 1 while bus active) |
| CF | CAN failure | disabled | one of the following CAN failure events detected (not in Sleep mode): <ul style="list-style-type: none"> - CAN transceiver deactivated due to a dominant clamped TXD - CAN transceiver deactivated due to a V_{CC} undervoltage event (if CMC = 01) |

PO and PNFDE interrupts are always captured. Wake-up and interrupt detection can be enabled/disabled for the remaining events individually via the event capture enable registers ([Table 21](#) to [Table 23](#)).

If an event occurs while the associated event capture function is enabled, the relevant event status bit is set. If the transceiver is in CAN Offline mode, pin RXD is forced LOW to indicate that a wake-up or interrupt event has been detected. If the TJA1145 is in Sleep mode when an event (other than a SPIF interrupt) occurs, pin INH is forced HIGH and the TJA1145 switches to Standby mode. If the TJA1145 is in Standby mode when the event occurs, pin RXD is forced LOW to flag an interrupt/wake-up event. The detection of any enabled wake-up or interrupt event will trigger a wake-up in Standby mode. The detection of any enabled wake-up or interrupt event other than a SPIF interrupt will trigger a wake-up in Sleep mode.

The microcontroller can monitor events via the event status registers. An extra status register, the Global event status register ([Table 17](#)), is provided to help speed up software polling routines. By polling the Global event status register, the microcontroller can quickly determine the type of event captured (system, transceiver or WAKE) and then query the relevant table ([Table 18](#), [Table 19](#) or [Table 20](#) respectively).

After the event source has been identified, the status flag should be cleared (set to 0) by writing 1 to the relevant bit (writing 0 will have no effect). A number of status bits can be cleared in a single write operation by writing 1 to all relevant bits.

It is strongly recommended to clear only the status bits that were set to 1 when the status registers were last read. This precaution ensures that events triggered just before the write access are not lost.

7.6.1 Interrupt/wake-up delay

If interrupt or wake-up events occur very frequently while the transceiver is in CAN Offline mode, they can have a significant impact on the software processing time (because pin RXD is repeatedly driven LOW, requiring a response from the microcontroller each time an interrupt/wake-up is generated). The TJA1145 incorporates an interrupt/wake-up delay timer to limit the disturbance to the software.

When one of the event capture status bits is cleared, pin RXD is released (HIGH) and a timer is started. If further events occur while the timer is running, the relevant status bits are set. If one or more events are pending when the timer expires after $t_{d(event)}$, pin RXD goes LOW again to alert the microcontroller.

In this way, the microcontroller is interrupted once to process a number of events rather than several times to process individual events. If all active event capture bits have been cleared (by the microcontroller) when the timer expires after $t_{d(event)}$, pin RXD remains HIGH (since there are no pending events). The event capture registers can be read at any time.

7.6.2 Sleep mode protection

It is very important that event detection is configured correctly when the TJA1145 switches to Sleep mode to ensure it will respond to a wake-up event. For this reason, and to avoid potential system deadlocks, at least one regular wake-up event must be enabled and all event status bits must be cleared before the TJA1145 switches to Sleep mode. Otherwise the TJA1145 will switch to Standby mode in response to a go-to-sleep command (MC = 001).

7.6.3 Event status and event capture registers

After an event source has been identified, the status flag should be cleared (set to 0) by writing 1 to the relevant status bit (writing 0 will have no effect).

Table 17. Global event status register (address 60h)

| Bit | Symbol | Access | Value | Description |
|-----|----------|--------|-------|-------------------------------------------|
| 7:4 | reserved | R | - | |
| 3 | WPE | R | | WAKE pin event: |
| | | | 0 | no pending WAKE pin event |
| | | | 1 | WAKE pin event pending at address 0x64 |
| 2 | TRXE | R | | transceiver event: |
| | | | 0 | no pending transceiver event |
| | | | 1 | transceiver event pending at address 0x63 |
| 1 | reserved | R | - | |
| 0 | SYSE | R | | system event: |
| | | | 0 | no pending system event |
| | | | 1 | system event pending at address 0x61 |

Table 18. System event status register (address 61h)

| Bit | Symbol | Access | Value | Description |
|-----|-------------------|--------|-------|------------------------------------------------------------------------------------------------------|
| 7:5 | reserved | R | - | |
| 4 | PO ^[1] | R/W | | power-on: |
| | | | 0 | no recent battery power-on |
| | | | 1 | the TJA1145 has left Off mode after battery power-on |
| 3 | reserved | R | - | |
| 2 | OTW | R/W | | overtemperature warning: |
| | | | 0 | overtemperature not detected |
| | | | 1 | the global chip temperature has exceeded the overtemperature warning threshold ($T_{th(warn)otp}$) |
| 1 | SPIF | R/W | | SPI failure: |
| | | | 0 | no SPI failure detected |
| | | | 1 | SPI failure detected |
| 0 | reserved | R | - | |

[1] PO is cleared when the TJA1145 is forced to Sleep mode due to an undervoltage event. The information stored in PO could be lost if the transition to Sleep mode was forced by an undervoltage event. Bit NMS, which is set to 0 when the TJA1145 switches to Normal mode after power-on, compensates for this.

Table 19. Transceiver event status register (address 63h)

| Bit | Symbol | Access | Value | Description |
|-----|-------------------|--------|-------|------------------------------------------------------|
| 7:6 | reserved | R | - | |
| 5 | PNFDE | R/W | | partial networking frame detection error: |
| | | | 0 | no partial networking frame detection error detected |
| | | | 1 | partial networking frame detection error detected |
| 4 | CBS | R/W | | CAN-bus status: |
| | | | 0 | CAN-bus active |
| | | | 1 | no activity on CAN-bus for $t_{to(silence)}$ |
| 3:2 | reserved | R | - | |
| 1 | CF ^[1] | R/W | | CAN failure: |
| | | | 0 | no CAN failure detected |
| | | | 1 | CAN failure event detected |
| 0 | CW | R/W | | CAN wake-up: |
| | | | 0 | no CAN wake-up event detected |
| | | | 1 | CAN wake-up event detected |

[1] CF is only enabled in Normal mode while the transceiver is in CAN Active mode and is triggered if TXD is clamped dominant OR a V_{CC} undervoltage is detected (when CMC = 01).

Table 20. WAKE pin event status register (address 64h)

| Bit | Symbol | Access | Value | Description |
|-----|----------|--------|-------|-------------|
| 7:2 | reserved | R | - | |

Table 20. WAKE pin event status register (address 64h)

| Bit | Symbol | Access | Value | Description |
|-----|--------|--------|-------|--------------------------------------|
| 1 | WPR | R/W | | WAKE pin rising edge: |
| | | | 0 | no rising edge detected on WAKE pin |
| | | | 1 | rising edge detected on WAKE pin |
| 0 | WPF | R/W | | WAKE pin falling edge: |
| | | | 0 | no falling edge detected on WAKE pin |
| | | | 1 | falling edge detected on WAKE pin |

Table 21. System event capture enable register (address 04h)

| Bit | Symbol | Access | Value | Description |
|-----|----------|--------|-------|----------------------------------|
| 7:3 | reserved | R | - | |
| 2 | OTWE | R/W | | overtemperature warning enable: |
| | | | 0 | overtemperature warning disabled |
| | | | 1 | overtemperature warning enabled |
| 1 | SPIFE | R/W | | SPI failure enable: |
| | | | 0 | SPI failure detection disabled |
| | | | 1 | SPI failure detection enabled |
| 0 | reserved | R | - | |

Table 22. Transceiver event capture enable register (address 23h)

| Bit | Symbol | Access | Value | Description |
|-----|----------|--------|-------|------------------------------------|
| 7:5 | reserved | R | - | |
| 4 | CBSE | R/W | | CAN-bus silence enable: |
| | | | 0 | CAN-bus silence detection disabled |
| | | | 1 | CAN-bus silence detection enabled |
| 3:2 | reserved | R | - | |
| 1 | CFE | R/W | | CAN failure enable: |
| | | | 0 | CAN failure detection disabled |
| | | | 1 | CAN failure detection enabled |
| 0 | CWE | R/W | | CAN wake-up enable: |
| | | | 0 | CAN wake-up detection disabled |
| | | | 1 | CAN wake-up detection enabled |

Table 23. WAKE pin event capture enable register (address 4Ch)

| Bit | Symbol | Access | Value | Description |
|-----|----------|--------|-------|---------------------------------------------|
| 7:2 | reserved | R | - | |
| 1 | WPRE | R/W | | WAKE pin rising-edge enable: |
| | | | 0 | rising-edge detection on WAKE pin disabled |
| | | | 1 | rising-edge detection on WAKE pin enabled |
| 0 | WPFE | R/W | | WAKE pin falling-edge enable: |
| | | | 0 | falling-edge detection on WAKE pin disabled |
| | | | 1 | falling-edge detection on WAKE pin enabled |

7.7 Device ID

A byte is reserved at address 0x7E for a TJA1145 identification code.

Table 24. Identification register (address 7Eh)

| Bit | Symbol | Access | Value | Description |
|-----|----------|--------|-------|----------------------------|
| 7:0 | IDS[7:0] | R | | device identification code |
| | | | 70h | TJA1145T, TJA1145TK |
| | | | 74h | TJA1145T/FD, TJA1145TK/FD |

7.8 Lock control register

Sections of the register address area can be write-protected to protect against unintended modifications. Note that this facility only protects locked bits from being modified via the SPI and will not prevent the TJA1145 updating status registers etc.

Table 25. Lock control register (address 0Ah)

| Bit | Symbol | Access | Value | Description |
|-----|----------|--------|-------|----------------------------------------------------------------------------------------|
| 7 | reserved | R | - | cleared for future use |
| 6 | LK6C | R/W | | lock control 6: address area 0x68 to 0x6F - partial networking data byte registers |
| | | | 0 | SPI write-access enabled |
| | | | 1 | SPI write-access disabled |
| 5 | LK5C | R/W | | lock control 5: address area 0x50 to 0x5F |
| | | | 0 | SPI write-access enabled |
| | | | 1 | SPI write-access disabled |
| 4 | LK4C | R/W | | lock control 4: address area 0x40 to 0x4F - WAKE pin configuration |
| | | | 0 | SPI write-access enabled |
| | | | 1 | SPI write-access disabled |
| 3 | LK3C | R/W | | lock control 3: address area 0x30 to 0x3F |
| | | | 0 | SPI write-access enabled |
| | | | 1 | SPI write-access disabled |
| 2 | LK2C | R/W | | lock control 2: address area 0x20 to 0x2F - transceiver control and partial networking |
| | | | 0 | SPI write-access enabled |
| | | | 1 | SPI write-access disabled |
| 1 | LK1C | R/W | | lock control 1: address area 0x10 to 0x1F |
| | | | 0 | SPI write-access enabled |
| | | | 1 | SPI write-access disabled |
| 0 | LK0C | R/W | | lock control 0: address area 0x06 to 0x09 - general purpose memory |
| | | | 0 | SPI write-access enabled |
| | | | 1 | SPI write-access disabled |

7.9 General-purpose memory

TJA1145 allocates 4 bytes of memory for general-purpose registers used to store user information. The general purpose registers can be accessed via the SPI at address 0x06 to 0x09 (see [Table 26](#)).

7.10 VIO supply pin

Pin VIO should be connected to the microcontroller supply voltage. This will cause the signal levels of the TXD, RXD and the SPI interface pins to be adjusted to the I/O levels of the microcontroller, enabling direct interfacing without the need for glue logic.

7.11 V_{CC}/V_{IO} undervoltage protection

If an undervoltage is detected on pins VCC or VIO, and it remains valid for longer than the undervoltage detection delay time, $t_{d(uvd)}$, the TJA1145 is forced to Sleep mode (see [Figure 4](#)). A number of preventative measures are taken when the TJA1145 is forced to Sleep mode to avoid deadlock and unpredictable states:

- All previously captured events (address range 0x61 to 0x64) are cleared before the TJA1145 switches to Sleep Mode to avoid repeated attempts to wake up while an undervoltage is present.
- Both CAN wake-up (CWE = 1) and local wake-up via the WAKE pin (WPFE = WPRE = 1) are enabled in order to avoid a deadlock situation where the TJA1145 cannot be woken up after entering Sleep mode.
- Partial Networking is disabled (CPNC = 0) to ensure immediate wake-up in response to bus traffic after the TJA1145 has recovered from an undervoltage event.
- The Partial Networking Configuration bit is cleared (CPNOK = 0) to indicate that partial networking might not have been configured correctly when the TJA1145 switched to Sleep mode.

Status bit FSMS is set to 1 when a transition to Sleep mode is forced by an undervoltage event (see [Table 6](#)). This bit can be sampled after the TJA1145 wakes up from Sleep mode to allow the settings of CWE, WPFE, WPRE and CPNC to be re-adjusted if an undervoltage event forced the transition to Sleep mode (FSMS = 1).

7.12 SPI

7.12.1 Introduction

The Serial Peripheral Interface (SPI) provides the communication link with the microcontroller, supporting multi-slave operations. The SPI is configured for full duplex data transfer, so status information is returned when new control data is shifted in. The interface also offers a read-only access option, allowing registers to be read back by the application without changing the register content.

The SPI uses four interface signals for synchronization and data transfer:

- SCSN: SPI chip select; active LOW; default level is HIGH (pull-up)
- SCK: SPI clock; default level is LOW due to internal pull-down
- SDI: SPI data input (floating input; may need external pull-up or pull-down if not available in the host controller)
- SDO: SPI data output; floating when pin SCSN is HIGH (may need external pull-up or pull-down if not available in the host controller)

Bit sampling is performed on the falling edge of the clock and data is shifted in/out on the rising edge, as illustrated in [Figure 10](#).

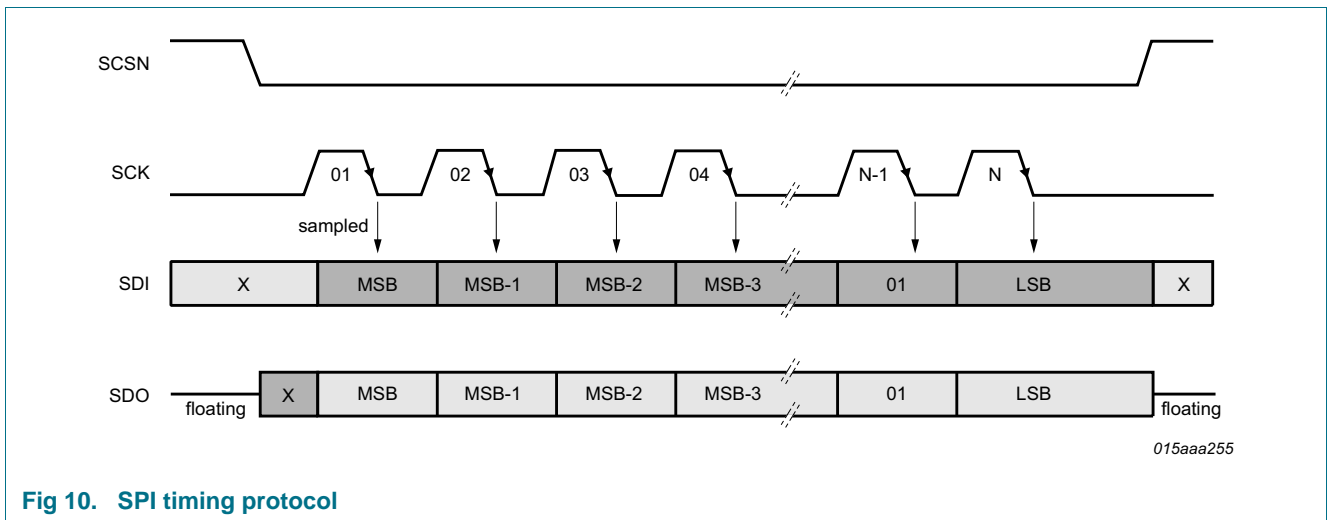


Fig 10. SPI timing protocol

The SPI data in the TJA1145 is stored in a number of dedicated 8-bit registers. Each register is assigned a unique 7-bit address. Two bytes (16 bits) must be transmitted to the TJA1145 for a single register read or write operation. The first byte contains the 7-bit address along with a ‘read-only’ bit (the LSB). The read-only bit must be 0 to indicate a write operation (if this bit is 1, a read operation is assumed and any data on the SDI pin is ignored). The second byte contains the data to be written to the register.

24- and 32-bit read and write operations are also supported. The register address is automatically incremented, once for a 24-bit operation and twice for a 32-bit operation, as illustrated in [Figure 11](#).

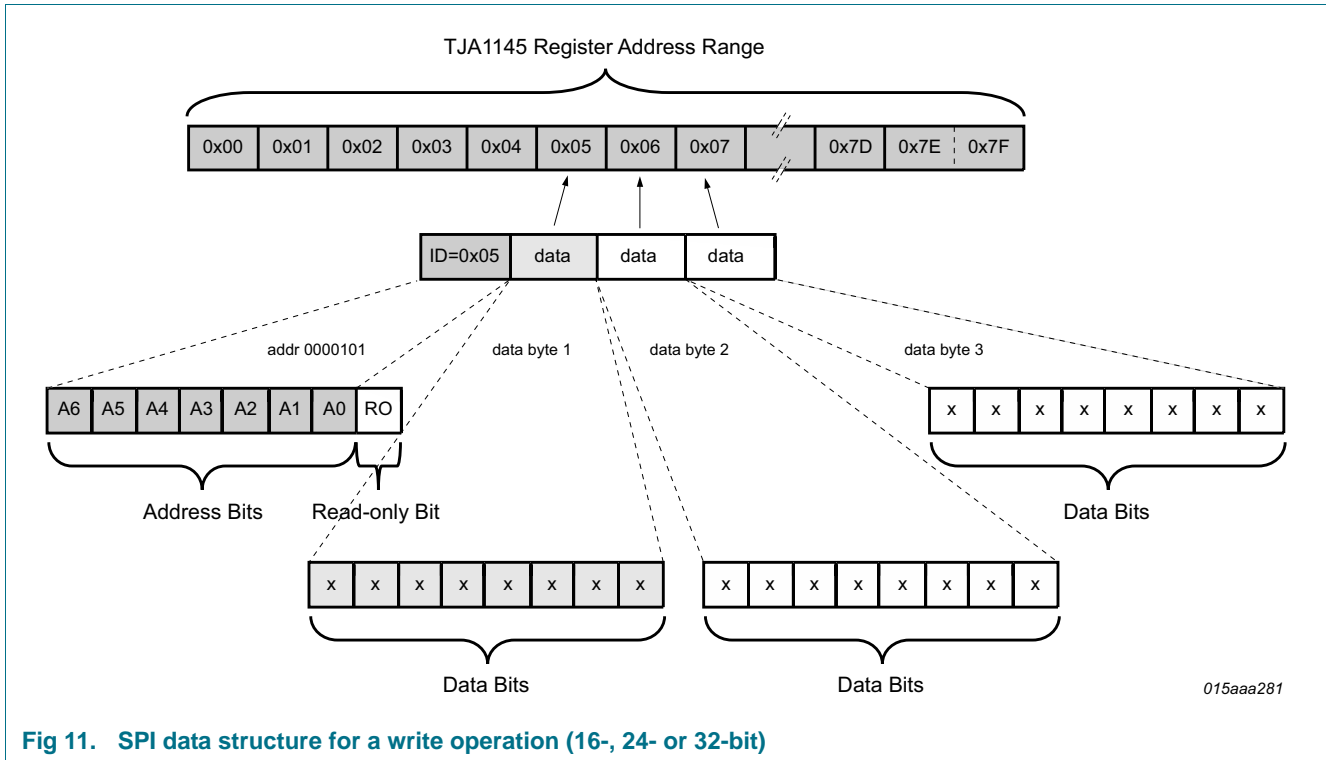


Fig 11. SPI data structure for a write operation (16-, 24- or 32-bit)

During an SPI data read or write operation, the contents of the addressed register(s) is returned via pin SDO.

The TJA1145 tolerates attempts to write to registers that don't exist. If the available address space is exceeded during a write operation, the data above the valid address range is ignored (without generating an SPI failure event).

During a write operation, the TJA1145 monitors the number of SPI bits transmitted. If the number recorded is not 16, 24 or 32, then the write operation is aborted and an SPI failure event is captured (SPIF = 1).

If more than 32 bits are clocked in on pin SDI during a read operation, the data stream on SDI is reflected on SDO from bit 33 onwards.

7.12.2 Register map

The addressable register space contains 128 registers with addresses from 0x00 to 0x7F. An overview of the register mapping is provided in [Table 26](#) to [Table 30](#). The functionality of the individual bits is discussed in more detail in relevant sections of the data sheet.

Table 26. Overview of primary control registers

| Address | Register Name | Bit: | | | | | | | |
|---------|---------------------|-----------|------|-----|----------|---|------|-------|----------|
| | | 7 | 6 | 5 | 4 | 3 | 2 | 1 | 0 |
| 0x01 | Mode control | reserved | | | | | | MC | |
| 0x03 | Main status | FSMS | OTWS | NMS | reserved | | | | |
| 0x04 | System event enable | reserved | | | | | OTWE | SPIFE | reserved |
| 0x06 | Memory 0 | GPM[7:0] | | | | | | | |
| 0x07 | Memory 1 | GPM[15:8] | | | | | | | |

Table 26. Overview of primary control registers

| Address | Register Name | Bit: | | | | | | | |
|---------|---------------|------------|------|------|------|------|------|------|------|
| | | 7 | 6 | 5 | 4 | 3 | 2 | 1 | 0 |
| 0x08 | Memory 2 | GPM[23:16] | | | | | | | |
| 0x09 | Memory 3 | GPM[31:24] | | | | | | | |
| 0x0A | Lock control | reserved | LK6C | LK5C | LK4C | LK3C | LK2C | LK1C | LK0C |

Table 27. Overview of transceiver control and partial networking registers

| Address | Register Name | Bit: | | | | | | | | |
|---------|--------------------------|-----------|--------|----------|-----------|----------|----------|-----|-----|--|
| | | 7 | 6 | 5 | 4 | 3 | 2 | 1 | 0 | |
| 0x20 | CAN control | reserved | CFDC | PNCOK | CPNC | reserved | | CMC | | |
| 0x22 | Transceiver status | CTS | CPNERR | CPNS | COSCS | CBSS | reserved | VCS | CFS | |
| 0x23 | Transceiver event enable | reserved | | | CBSE | reserved | | CFE | CWE | |
| 0x26 | Data rate | reserved | | | | | CDR | | | |
| 0x27 | Identifier 0 | ID[7:0] | | | | | | | | |
| 0x28 | Identifier 1 | ID[15:8] | | | | | | | | |
| 0x29 | Identifier 2 | ID[23:16] | | | | | | | | |
| 0x2A | Identifier 3 | reserved | | | ID[28:24] | | | | | |
| 0x2B | Mask 0 | M[7:0] | | | | | | | | |
| 0x2C | Mask 1 | M[15:8] | | | | | | | | |
| 0x2D | Mask 2 | M[23:16] | | | | | | | | |
| 0x2E | Mask 3 | reserved | | | M[28:24] | | | | | |
| 0x2F | Frame control | IDE | PNDM | reserved | | DLC | | | | |
| 0x68 | Data mask 0 | DM0[7:0] | | | | | | | | |
| 0x69 | Data mask 1 | DM1[7:0] | | | | | | | | |
| 0x6A | Data mask 2 | DM2[7:0] | | | | | | | | |
| 0x6B | Data mask 3 | DM3[7:0] | | | | | | | | |
| 0x6C | Data mask 4 | DM4[7:0] | | | | | | | | |
| 0x6D | Data mask 5 | DM5[7:0] | | | | | | | | |
| 0x6E | Data mask 6 | DM6[7:0] | | | | | | | | |
| 0x6F | Data mask 7 | DM7[7:0] | | | | | | | | |

Table 28. Overview of WAKE pin control and status registers

| Address | Register Name | Bit: | | | | | | | | |
|---------|-----------------|----------|---|---|---|---|---|------|----------|--|
| | | 7 | 6 | 5 | 4 | 3 | 2 | 1 | 0 | |
| 0x4B | WAKE pin status | reserved | | | | | | WPVS | reserved | |
| 0x4C | WAKE pin enable | reserved | | | | | | WPRE | WPFE | |

Table 29. Overview of Event Capture registers

| Address | Register Name | Bit: | | | | | | | |
|---------|--------------------------|----------|---|-------|-----|----------|------|----------|----------|
| | | 7 | 6 | 5 | 4 | 3 | 2 | 1 | 0 |
| 0x60 | Event capture status | reserved | | | | WPE | TRXE | reserved | SYSE |
| 0x61 | System event status | reserved | | | PO | reserved | OTW | SPIF | reserved |
| 0x63 | Transceiver event status | reserved | | PNFDE | CBS | reserved | | CF | CW |
| 0x64 | WAKE pin event status | reserved | | | | | | WPR | WPF |

Table 30. Overview of Identification register

| Address | Register Name | Bit: | | | | | | | |
|---------|----------------|----------|---|---|---|---|---|---|---|
| | | 7 | 6 | 5 | 4 | 3 | 2 | 1 | 0 |
| 0x7E | Identification | IDS[7:0] | | | | | | | |

7.12.3 Register configuration in TJA1145 operating modes

A number of register bits may change state automatically when the TJA1145 switches from one operating mode to another. This is particularly evident when the TJA1145 switches to Off mode or when an undervoltage event forces a transition to Sleep mode. These changes are summarized in [Table 31](#). If an SPI transmission is in progress when the TJA1145 changes state, the transmission is ignored (automatic state changes have priority).

Table 31. Register bit settings in TJA1145 operating modes

| Symbol | Off (reset values) | Standby | Normal | Sleep | Overtemp | Forced Sleep (uv) |
|--------|--------------------------------------------|--------------|--------------|--------------|--------------|-------------------|
| CBS | 0 | no change | no change | no change | no change | 0 |
| CBSE | 0 | no change | no change | no change | no change | no change |
| CBSS | 1 | actual state | actual state | actual state | actual state | actual state |
| CDR | 101 | no change | no change | no change | no change | no change |
| CF | 0 | no change | no change | no change | no change | 0 |
| CFDC | 0 | no change | no change | no change | no change | no change |
| CFE | 0 | no change | no change | no change | no change | no change |
| CFS | 0 | actual state | actual state | actual state | actual state | actual state |
| CMC | 00 | no change | no change | no change | no change | no change |
| COSCS | 0 | actual state | actual state | actual state | actual state | actual state |
| CPNC | 0 | no change | no change | no change | no change | 0 |
| CPNERR | 1 | actual state | actual state | actual state | actual state | actual state |
| CPNS | 0 | actual state | actual state | actual state | actual state | actual state |
| CTS | 0 | 0 | actual state | 0 | 0 | 0 |
| CW | 0 | no change | no change | no change | no change | 0 |
| CWE | 0 | no change | no change | no change | no change | 1 |
| DMn | 11111111 | no change | no change | no change | no change | no change |
| DLC | 0000 | no change | no change | no change | no change | no change |
| FSMS | 0 | no change | no change | 0 | no change | 1 |
| GPMn | 00000000 | no change | no change | no change | no change | no change |
| IDn | 00000000 | no change | no change | no change | no change | no change |
| IDE | 0 | no change | no change | no change | no change | no change |
| IDS | 01110000 (T, TK) 01110100 (T/FD, TK/FD) | no change | no change | no change | no change | no change |
| LKnC | 0 | no change | no change | no change | no change | no change |
| Mn | 00000000 | no change | no change | no change | no change | no change |
| MC | 100 | 100 | 111 | 001 | don't care | 001 |
| NMS | 1 | no change | 0 | no change | no change | no change |
| OTW | 0 | no change | no change | no change | no change | 0 |
| OTWE | 0 | no change | no change | no change | no change | no change |
| OTWS | 0 | actual state | actual state | actual state | actual state | actual state |
| PNCOK | 0 | no change | no change | no change | no change | 0 |
| PNDM | 1 | no change | no change | no change | no change | no change |
| PNFDE | 0 | no change | no change | no change | no change | 0 |

Table 31. Register bit settings in TJA1145 operating modes ...continued

| Symbol | Off (reset values) | Standby | Normal | Sleep | Overtemp | Forced Sleep (uv) |
|--------|--------------------|--------------|--------------|--------------|--------------|-------------------|
| PO | 1 | no change | no change | no change | no change | 0 |
| SPIF | 0 | no change | no change | no change | no change | 0 |
| SPIFE | 0 | no change | no change | no change | no change | no change |
| SYSE | 1 | no change | no change | no change | no change | 0 |
| TRXE | 0 | no change | no change | no change | no change | 0 |
| VCS | 0 | actual state | actual state | actual state | actual state | actual state |
| WPE | 0 | no change | no change | no change | no change | 0 |
| WPF | 0 | no change | no change | no change | no change | 0 |
| WPFE | 0 | no change | no change | no change | no change | 1 |
| WPR | 0 | no change | no change | no change | no change | 0 |
| WPRE | 0 | no change | no change | no change | no change | 1 |
| WPVS | 0 | no change | no change | no change | no change | no change |

8. Limiting values

Table 32. Limiting values
In accordance with the Absolute Maximum Rating System (IEC 60134).

| Symbol | Parameter | Conditions | Min | Max | Unit |
|--------------------------|---------------------------------------|--------------------------------------------------------------------------------------------------------|------|-----------------------|------|
| V _x | voltage on pin x ^[1] | pins VCC, VIO ^[2] | -0.2 | +6 | V |
| | | pins TXD, RXD, SDI, SDO, SCK, SCSN ^[3] | -0.2 | V _{IO} + 0.2 | V |
| | | pins WAKE, INH | -18 | +40 | V |
| | | pin BAT | -0.2 | +40 | V |
| | | pins CANH and CANL with respect to any other pin | -58 | +58 | V |
| V _(CANH-CANL) | voltage between pin CANH and pin CANL | | -40 | +40 | V |
| V _{trt} | transient voltage | on pins ^[4] BAT via reverse polarity diode and capacitor to ground CANL, CANH, WAKE | | | |
| | | pulse 1 | -100 | - | V |
| | | pulse 2a | - | 75 | V |
| | | pulse 3a | -150 | - | V |
| | | pulse 3b | - | 100 | V |
| V _{ESD} | electrostatic discharge voltage | IEC 61000-4-2 (150 pF, 330 Ω) ^[5] | | | |
| | | on pins CANH and CANL; pin BAT with 100 nF capacitor; pin WAKE with 10 nF capacitor and 10 kΩ resistor | -6 | +6 | kV |
| | | Human Body Model (HBM); 100 pF, 1.5 kΩ ^[6] | | | |
| | | on pins CANH, CANL ^[7] | -8 | +8 | kV |
| | | on pins BAT, WAKE | -4 | +4 | kV |
| | | on any other pin | -2 | +2 | kV |
| | | Machine Model (MM); 200 pF, 0.75 μH, 10 Ω ^[8] | | | |
| | | on any pin | -100 | +100 | V |
| | | Charged Device Model (CDM); field Induced charge; 4 pF ^[9] | | | |
| | | on corner pins | -750 | +750 | V |
| on any other pin | -500 | +500 | V | | |
| T _{vj} | virtual junction temperature | ^[10] | -40 | +150 | °C |
| T _{stg} | storage temperature | | -55 | +150 | °C |

[1] The device can sustain voltages up to the specified values over the product lifetime, provided applied voltages (including transients) never exceed these values.

[2] When the device is not powered up, I_{VCC(max)} = 25 mA.

[3] Maximum voltage should never exceed 6 V.

[4] According to IEC TS 62228 (2007), Section 4.2.4; parameters for standard pulses defined in ISO7637 part 2: 2004-06.

[5] According to IEC TS 62228 (2007), Section 4.3; DIN EN 61000-4-2.

[6] According to AEC-Q100-002.

[7] VCC, VIO and BAT connected to GND, emulating the application circuit.

[8] According to AEC-Q100-003.

[9] According to AEC-Q100-011 Rev-C1. The classification level is C4B.

[10] In accordance with IEC 60747-1. An alternative definition of virtual junction temperature is: $T_{vj} = T_{amb} + P \times R_{th(j-a)}$, where $R_{th(j-a)}$ is a fixed value used in the calculation of T_{vj} . The rating for T_{vj} limits the allowable combinations of power dissipation (P) and ambient temperature (T_{amb}).

9. Thermal characteristics

Table 33. Thermal characteristics

| Symbol | Parameter | Conditions | Typ | Unit |
|----------------|-----------------------------------------------------|------------|-----------------------|------|
| $R_{th(vj-a)}$ | thermal resistance from virtual junction to ambient | SO14 | 1 106 | K/W |
| | | HVSON14 | 60 | K/W |

[1] According to JEDEC JESD51-2, JESD51-5 and JESD51-7 at natural convection on 2s2p board. Board with two inner copper layers (thickness: 35 μm) and thermal via array under the exposed pad connected to the first inner copper layer (thickness: 70 μm).

10. Static characteristics

Table 34. Static characteristics

$T_{vj} = -40\text{ °C}$ to $+150\text{ °C}$; $V_{BAT} = 4.5\text{ V}$ to 28 V ; $V_{IO} = 2.85\text{ V}$ to 5.5 V ; $V_{CC} = 4.5\text{ V}$ to 5.5 V ; $R_{(CANH-CANL)} = 60\ \Omega$; all voltages are defined with respect to ground; positive currents flow into the IC; typical values are given at $V_{BAT} = 13\text{ V}$; unless otherwise specified^[1].

| Symbol | Parameter | Conditions | Min | Typ | Max | Unit |
|------------------------|-------------------------------------------|----------------------------------------------------------------------------------------------------------------------------------------------------|-----|-----|------|---------------|
| Supply; pin BAT | | | | | | |
| $V_{th(det)pon}$ | power-on detection threshold voltage | V_{BAT} rising | 4.2 | - | 4.55 | V |
| $V_{th(det)poff}$ | power-off detection threshold voltage | V_{BAT} falling | 2.8 | - | 3 | V |
| $V_{uvr(CAN)}$ | CAN undervoltage recovery voltage | V_{BAT} rising | 4.5 | - | 5 | V |
| $V_{uvd(CAN)}$ | CAN undervoltage detection voltage | V_{BAT} falling | 4.2 | - | 4.55 | V |
| I_{BAT} | battery supply current | Sleep mode; MC = 001; CWE = 1; CAN Offline mode; $-40\text{ °C} < T_{vj} < 85\text{ °C}$; $V_{BAT} = 7\text{ V}$ to 18 V | - | 40 | 59 | μA |
| | | Standby mode; MC = 100; CWE = 1; CAN Offline mode; $-40\text{ °C} < T_{vj} < 85\text{ °C}$; $V_{BAT} = 7\text{ V}$ to 18 V | - | 44 | 68 | μA |
| | | additional current in CAN Offline Bias mode; $-40\text{ °C} < T_{vj} < 85\text{ °C}$ | - | 46 | 63 | μA |
| | | additional current in CAN Offline Bias mode with active partial networking decoder; Standby or Sleep mode; $-40\text{ °C} < T_{vj} < 85\text{ °C}$ | | 0.4 | 0.65 | mA |
| | | additional current from WAKE input; WPRE = WPFE = 1; $-40\text{ °C} < T_{vj} < 85\text{ °C}$ | | 2 | 3 | μA |
| | | Normal mode; MC = 111 | - | 1 | 1.5 | mA |
| Supply; pin VCC | | | | | | |
| $V_{uvd(VCC)}$ | undervoltage detection voltage on pin VCC | | 4.5 | - | 4.75 | V |
| I_{CC} | supply current | CAN Active mode; CAN recessive; $V_{TXD} = V_{IO}$ | - | 3 | 6 | mA |
| | | CAN Active mode; CAN dominant; $V_{TXD} = 0\text{ V}$ | - | 45 | 65 | mA |
| | | Standby/Normal mode; CAN inactive; $-40\text{ °C} < T_{vj} < 85\text{ °C}$ | - | 4.7 | 8.5 | μA |
| | | Sleep mode; CAN inactive; $-40\text{ °C} < T_{vj} < 85\text{ °C}$ | - | 3.8 | 7 | μA |
| | | short circuit on bus lines; CAN dominant; $V_{TXD} = 0\text{ V}$; $-3\text{ V} < (V_{CANH} = V_{CANL}) < +18\text{ V}$ | - | 55 | 65 | mA |

Table 34. Static characteristics ...continued

$T_{vj} = -40\text{ °C}$ to $+150\text{ °C}$; $V_{BAT} = 4.5\text{ V}$ to 28 V ; $V_{IO} = 2.85\text{ V}$ to 5.5 V ; $V_{CC} = 4.5\text{ V}$ to 5.5 V ; $R_{(CANH-CANL)} = 60\text{ }\Omega$; all voltages are defined with respect to ground; positive currents flow into the IC; typical values are given at $V_{BAT} = 13\text{ V}$; unless otherwise specified^[1].

| Symbol | Parameter | Conditions | Min | Typ | Max | Unit |
|-------------------------------------------------------------------|-------------------------------------------|------------------------------------------------------|-----------------|-----|--------------|---------------|
| Supply; pin VIO | | | | | | |
| $V_{uvd(VIO)}$ | undervoltage detection voltage on pin VIO | $V_{BAT} > 4.5\text{ V}$ | 2.7 | - | 2.85 | V |
| I_{IO} | supply current on pin VIO | $-40\text{ °C} < T_{vj} < 85\text{ °C}$ | | | | |
| | | Standby/Normal mode | - | 7.1 | 11 | μA |
| | | Sleep mode | - | 5 | 8 | μA |
| Serial peripheral interface inputs; pins SDI, SCK and SCSN | | | | | | |
| $V_{th(sw)}$ | switching threshold voltage | $V_{IO} = 2.97\text{ V}$ to 5.5 V | $0.25V_{IO}$ | - | $0.75V_{IO}$ | V |
| $V_{th(sw)hys}$ | switching threshold voltage hysteresis | $V_{IO} = 2.97\text{ V}$ to 5.5 V | $0.05V_{IO}$ | - | - | V |
| $R_{pd(SCK)}$ | pull-down resistance on pin SCK | | 40 | 60 | 80 | $k\Omega$ |
| $R_{pu(SCSN)}$ | pull-up resistance on pin SCSN | | 40 | 60 | 80 | $k\Omega$ |
| $I_{LI(SDI)}$ | input leakage current on pin SDI | | -5 | - | +5 | μA |
| Serial peripheral interface data output; pin SDO | | | | | | |
| V_{OH} | HIGH-level output voltage | $I_{OH} = -4\text{ mA}$ | $V_{IO} - 0.4$ | - | - | V |
| V_{OL} | LOW-level output voltage | $I_{OL} = 4\text{ mA}$ | - | - | 0.4 | V |
| $I_{LO(off)}$ | off-state output leakage current | $V_{SCSN} = V_{IO}$; $V_O = 0\text{ V}$ to V_{IO} | -5 | - | +5 | μA |
| Inhibit output; pin INH | | | | | | |
| V_O | output voltage | $I_{INH} = -180\text{ }\mu\text{A}$ | $V_{BAT} - 0.8$ | - | V_{BAT} | V |
| R_{pd} | pull-down resistance | Sleep mode | 3 | 4 | 5 | $M\Omega$ |
| CAN transmit data input; pin TXD | | | | | | |
| $V_{th(sw)}$ | switching threshold voltage | $V_{IO} = 2.97\text{ V}$ to 5.5 V | $0.25V_{IO}$ | - | $0.75V_{IO}$ | V |
| R_{pu} | pull-up resistance | | 40 | 60 | 80 | $k\Omega$ |
| CAN receive data output; pin RXD | | | | | | |
| V_{OH} | HIGH-level output voltage | $I_{OH} = -4\text{ mA}$ | $V_{IO} - 0.4$ | - | - | V |
| V_{OL} | LOW-level output voltage | $I_{OL} = 4\text{ mA}$ | - | - | 0.4 | V |
| R_{pu} | pull-up resistance | CAN Offline mode | 40 | 60 | 80 | $k\Omega$ |
| Local wake input; pin WAKE | | | | | | |
| $V_{th(sw)r}$ | rising switching threshold voltage | | 2.8 | - | 4.1 | V |
| $V_{th(sw)f}$ | falling switching threshold voltage | | 2.4 | - | 3.75 | V |
| $V_{hys(i)}$ | input hysteresis voltage | | 250 | - | 800 | mV |
| I_i | input current | $-40\text{ °C} < T_{vj} < 85\text{ °C}$ | - | - | 1.5 | μA |

Table 34. Static characteristics ...continued

$T_{vj} = -40\text{ }^{\circ}\text{C}$ to $+150\text{ }^{\circ}\text{C}$; $V_{BAT} = 4.5\text{ V}$ to 28 V ; $V_{IO} = 2.85\text{ V}$ to 5.5 V ; $V_{CC} = 4.5\text{ V}$ to 5.5 V ; $R_{(CANH-CANL)} = 60\ \Omega$; all voltages are defined with respect to ground; positive currents flow into the IC; typical values are given at $V_{BAT} = 13\text{ V}$; unless otherwise specified [1].

| Symbol | Parameter | Conditions | Min | Typ | Max | Unit |
|-----------------------------------------------------|-----------------------------------------|-----------------------------------------------------------------------------------------------------------------------------------------------------------------------|----------------------------|--------------|--------------|------|
| High-speed CAN bus lines; pins CANH and CANL | | | | | | |
| $V_{O(dom)}$ | dominant output voltage | CAN Active mode; $V_{TXD} = 0\text{ V}$; $t < t_{to(dom)TXD}$ | | | | |
| | | pin CANH; $R_L = 50\ \Omega$ to $65\ \Omega$ | 2.75 | 3.5 | 4.5 | V |
| | | pin CANL; $R_L = 50\ \Omega$ to $65\ \Omega$ | 0.5 | 1.5 | 2.25 | V |
| $V_{dom(TX)sym}$ | transmitter dominant voltage symmetry | $V_{dom(TX)sym} = V_{CC} - V_{CANH} - V_{CANL}$; $V_{CC} = 5\text{ V}$ | -400 | - | +400 | mV |
| V_{TXsym} | transmitter voltage symmetry | $V_{TXsym} = V_{CANH} + V_{CANL}$; $f_{TXD} = 250\text{ kHz}$ or 1 MHz ; $V_{CC} = 4.75\text{ V}$ to 5.25 V ; $C_{SPLIT} = 4.7\text{ nF}$ | [2] [3] 0.9 V_{CC} | - | 1.1 V_{CC} | V |
| $V_{O(dif)}$ | differential output voltage | dominant; Normal mode; $V_{TXD} = 0\text{ V}$; CAN Active mode; $t < t_{to(dom)TXD}$; $V_{CC} = 4.75\text{ V}$ to 5.5 V | | | | |
| | | $R_L = 45\ \Omega$ to $70\ \Omega$ | 1.5 | - | 3 | V |
| | | $R_L = 2240\ \Omega$ | 1.5 | - | 5 | V |
| | | recessive; no load | | | | |
| | | CAN Active/Listen-only/Offline Bias mode; $V_{TXD} = V_{IO}$ | -50 | - | +50 | mV |
| | | CAN Offline mode | -0.2 | - | +0.2 | V |
| $V_{O(rec)}$ | recessive output voltage | $R_{(CANH-CANL)} = \text{no load}$ | | | | |
| | | CAN Active mode; $V_{TXD} = V_{IO}$ | 2 | 0.5 V_{CC} | 3 | V |
| | | CAN Offline mode | -0.1 | - | +0.1 | V |
| | | CAN Offline Bias/Listen-only modes; $V_{CC} = 0\text{ V}$ | 2 | 2.5 | 3 | V |
| $I_{O(sc)dom}$ | dominant short-circuit output current | CAN Active mode; $V_{TXD} = 0\text{ V}$; $V_{CC} = 5\text{ V}$ | | | | |
| | | pin CANH; $V_{CANH} = -15\text{ V}$ to $+27\text{ V}$ | -50 | - | - | mA |
| | | pin CANL; $V_{CANL} = -15\text{ V}$ to $+27\text{ V}$ | - | - | 52 | mA |
| $I_{O(sc)rec}$ | recessive short-circuit output current | $V_{CANL} = V_{CANH} = -27\text{ V}$ to $+32\text{ V}$; $V_{TXD} = V_{IO}$ | -3 | - | +3 | mA |
| $V_{th(RX)dif}$ | differential receiver threshold voltage | $-12\text{ V} \leq V_{CANL} \leq +12\text{ V}$; $-12\text{ V} \leq V_{CANH} \leq +12\text{ V}$ | | | | |
| | | CAN Active/Listen-only modes | 0.5 | 0.7 | 0.9 | V |
| | | CAN Offline mode | 0.4 | 0.7 | 1.15 | V |
| $V_{rec(RX)}$ | receiver recessive voltage | $-12\text{ V} \leq V_{CANL} \leq +12\text{ V}$; $-12\text{ V} \leq V_{CANH} \leq +12\text{ V}$ | | | | |
| | | CAN Active/Listen-only modes | -4 | - | 0.5 | V |
| | | CAN Offline mode | -4 | - | 0.4 | V |

Table 34. Static characteristics ...continued

$T_{vj} = -40\text{ °C}$ to $+150\text{ °C}$; $V_{BAT} = 4.5\text{ V}$ to 28 V ; $V_{IO} = 2.85\text{ V}$ to 5.5 V ; $V_{CC} = 4.5\text{ V}$ to 5.5 V ; $R_{(CANH-CANL)} = 60\text{ }\Omega$; all voltages are defined with respect to ground; positive currents flow into the IC; typical values are given at $V_{BAT} = 13\text{ V}$; unless otherwise specified^[1].

| Symbol | Parameter | Conditions | Min | Typ | Max | Unit |
|-------------------------------|-------------------------------------------------------------|----------------------------------------------------------------------------------------------------------------------------------------------|------|-----|-----|--------------------|
| $V_{dom(RX)}$ | receiver dominant voltage | $-12\text{ V} \leq V_{CANL} \leq +12\text{ V}$; $-12\text{ V} \leq V_{CANH} \leq +12\text{ V}$ | | | | |
| | | CAN Active/Listen-only modes | 0.9 | - | 9.0 | V |
| | | CAN Offline mode | 1.15 | - | 9.0 | V |
| $V_{hys(RX)dif}$ | differential receiver hysteresis voltage | CAN Active/Listen-only modes; $-12\text{ V} \leq V_{CANL} \leq +12\text{ V}$; $-12\text{ V} \leq V_{CANH} \leq +12\text{ V}$ | 50 | 200 | 400 | mV |
| R_i | input resistance | $-2\text{ V} \leq V_{CANL} \leq +7\text{ V}$; $-2\text{ V} \leq V_{CANH} \leq +7\text{ V}$ | 9 | 15 | 28 | k Ω |
| ΔR_i | input resistance deviation | $0\text{ V} \leq V_{CANL} \leq +5\text{ V}$; $0\text{ V} \leq V_{CANH} \leq +5\text{ V}$ | -1 | - | +1 | % |
| $R_{i(dif)}$ | differential input resistance | $-2\text{ V} \leq V_{CANL} \leq +7\text{ V}$; $-2\text{ V} \leq V_{CANH} \leq +7\text{ V}$ | 19 | 30 | 52 | k Ω |
| $C_{i(cm)}$ | common-mode input capacitance | | [2] | - | 20 | pF |
| $C_{i(dif)}$ | differential input capacitance | | [2] | - | 10 | pF |
| I_L | leakage current | $V_{BAT} = V_{CC} = 0\text{ V}$ or $V_{BAT} = V_{CC} =$ shorted to ground via $47\text{ k}\Omega$; $V_{CANH} = V_{CANL} = 5\text{ V}$ | -5 | - | +5 | μA |
| Temperature protection | | | | | | |
| $T_{th(act)otp}$ | overtemperature protection activation threshold temperature | | 167 | 177 | 187 | $^{\circ}\text{C}$ |
| $T_{th(rel)otp}$ | overtemperature protection release threshold temperature | | 127 | 137 | 147 | $^{\circ}\text{C}$ |
| $T_{th(warn)otp}$ | overtemperature protection warning threshold temperature | | 127 | 137 | 147 | $^{\circ}\text{C}$ |

- [1] All parameters are guaranteed over the virtual junction temperature range by design. Factory testing uses correlated test conditions to cover the specified temperature and power supply voltage range.
- [2] Not tested in production; guaranteed by design.
- [3] The test circuit used to measure the bus output voltage symmetry (which includes C_{SPLIT}) is shown in [Figure 17](#).

11. Dynamic characteristics

Table 35. Dynamic characteristics

$T_{vj} = -40\text{ °C to }+150\text{ °C}$; $V_{BAT} = 4.5\text{ V to }28\text{ V}$; $V_{IO} = 2.85\text{ V to }5.5\text{ V}$; $V_{CC} = 4.5\text{ V to }5.5\text{ V}$; $R_{(CANH-CANL)} = 60\ \Omega$; all voltages are defined with respect to ground; positive currents flow into the IC; typical values are given at $V_{BAT} = 13\text{ V}$; unless otherwise specified.^[1]

| Symbol | Parameter | Conditions | Min | Typ | Max | Unit |
|-----------------------------------------------------------------------------------------------------------|------------------------------------------------------|----------------------------------------------------------------------------------------------------------------------------------------------------------------------------|-----|-----|-----|---------------|
| Voltage sources; pins BAT, VCC and VIO | | | | | | |
| t_{startup} | start-up time | from V_{BAT} exceeding the power-on detection threshold until INH active | - | 2.8 | 4.7 | ms |
| $t_{d(\text{uvd})}$ | undervoltage detection delay time | | 6 | - | 54 | μs |
| $t_{d(\text{uvd-sleep})}$ | delay time from undervoltage detection to sleep mode | from undervoltage detection on VCC and/or VIO until TJA1145 forced to Sleep mode | 200 | - | 400 | ms |
| Serial peripheral interface timing; pins SCSN, SCK, SDI and SDO in Normal, Standby and Sleep modes | | | | | | |
| $t_{\text{cy}(\text{clk})}$ | clock cycle time | Normal/Standby modes | 250 | - | - | ns |
| | | Sleep mode | 1 | - | - | μs |
| t_{SPILEAD} | SPI enable lead time | Normal/Standby modes | 50 | - | - | ns |
| | | Sleep mode | 200 | - | - | ns |
| t_{SPILAG} | SPI enable lag time | Normal/Standby modes | 50 | - | - | ns |
| | | Sleep mode | 200 | - | - | ns |
| $t_{\text{clk}(\text{H})}$ | clock HIGH time | Normal/Standby modes | 100 | - | - | ns |
| | | Sleep mode | 475 | - | - | ns |
| $t_{\text{clk}(\text{L})}$ | clock LOW time | Normal/Standby modes | 100 | - | - | ns |
| | | Sleep mode | 475 | - | - | ns |
| $t_{\text{su}(\text{D})}$ | data input set-up time | Normal/Standby modes | 50 | - | - | ns |
| | | Sleep mode | 200 | - | - | ns |
| $t_{\text{h}(\text{D})}$ | data input hold time | Normal/Standby modes | 50 | - | - | ns |
| | | Sleep mode | 200 | - | - | ns |
| $t_{\text{v}(\text{Q})}$ | data output valid time | pin SDO; $C_L = 20\text{ pF}$; Normal/Standby modes | - | - | 50 | ns |
| | | pin SDO; $C_L = 20\text{ pF}$; Sleep mode | - | - | 200 | ns |
| $t_{\text{WH}(\text{S})}$ | chip select pulse width HIGH | pin SCSN; Normal/Standby modes | 250 | - | - | ns |
| | | pin SCSN; Sleep mode | 1 | - | - | μs |
| $t_{d(\text{SCKL-SCSNL})}$ | delay time from SCK LOW to SCSN LOW | | 50 | - | - | ns |
| CAN transceiver timing; pins CANH, CANL, TXD and RXD | | | | | | |
| $t_{d(\text{TXDL-RXDL})}$ | delay time from TXD LOW to RXD LOW | 30 % V_{TXD} to 30 % V_{RXD} ; $R_L = 60\ \Omega$; $C_L = 100\text{ pF}$; $C_{\text{RXD}} = 15\text{ pF}$; $f_{\text{TXD}} = 250\text{ kHz}$ | - | - | 255 | ns |
| $t_{d(\text{TXDH-RXDH})}$ | delay time from TXD HIGH to RXD HIGH | 70 % V_{TXD} to 70 % V_{RXD} ; $R_L = 60\ \Omega$; $C_L = 100\text{ pF}$; $C_{\text{RXD}} = 15\text{ pF}$; $f_{\text{TXD}} = 250\text{ kHz}$ | - | - | 255 | ns |

Table 35. Dynamic characteristics ...continued

$T_{vj} = -40\text{ }^{\circ}\text{C}$ to $+150\text{ }^{\circ}\text{C}$; $V_{BAT} = 4.5\text{ V}$ to 28 V ; $V_{IO} = 2.85\text{ V}$ to 5.5 V ; $V_{CC} = 4.5\text{ V}$ to 5.5 V ; $R_{(CANH-CANL)} = 60\text{ }\Omega$; all voltages are defined with respect to ground; positive currents flow into the IC; typical values are given at $V_{BAT} = 13\text{ V}$; unless otherwise specified.^[1]

| Symbol | Parameter | Conditions | Min | Typ | Max | Unit |
|-------------------------------------------------------------------------------------------------------------------|--------------------------------------|-----------------------------------------------------------------------------------------|------|-----|------|---------------|
| $t_{d(TXD-busdom)}$ | delay time from TXD to bus dominant | | - | 80 | - | ns |
| $t_{d(TXD-busrec)}$ | delay time from TXD to bus recessive | | - | 80 | - | ns |
| $t_{d(busdom-RXD)}$ | delay time from bus dominant to RXD | $C_{RXD} = 15\text{ pF}$ | - | 105 | - | ns |
| $t_{d(busrec-RXD)}$ | delay time from bus recessive to RXD | $C_{RXD} = 15\text{ pF}$ | - | 120 | - | ns |
| $t_{bit(bus)}$ | transmitted recessive bit width | $t_{bit(TXD)} = 500\text{ ns}$ [2] | 435 | - | 530 | ns |
| $t_{bit(RXD)}$ | bit time on pin RXD | $t_{bit(TXD)} = 500\text{ ns}$ [2] | 400 | - | 550 | ns |
| Δt_{rec} | receiver timing symmetry | $t_{bit(TXD)} = 500\text{ ns}$ | -65 | - | +40 | ns |
| $t_{wake(busdom)}$ | bus dominant wake-up time | first pulse (after first recessive) for wake-up on pins CANH and CANL; CAN Offline mode | 0.5 | - | 3.0 | μs |
| | | second pulse for wake-up on pins CANH and CANL | 0.5 | - | 3.0 | μs |
| $t_{wake(busrec)}$ | bus recessive wake-up time | first pulse for wake-up on pins CANH and CANL; CAN Offline mode | 0.5 | - | 3.0 | μs |
| | | second pulse (after first dominant) for wake-up on pins CANH and CANL | 0.5 | - | 3.0 | μs |
| $t_{to(wake)bus}$ | bus wake-up time-out time | between first and second dominant pulses; CAN Offline mode | 570 | - | 1200 | μs |
| $t_{to(dom)TXD}$ | TXD dominant time-out time | CAN Active mode; $V_{TXD} = 0\text{ V}$ | 2.7 | - | 3.3 | ms |
| $t_{to(silence)}$ | bus silence time-out time | recessive time measurement started in all CAN modes; $R_L = 120\text{ }\Omega$ | 0.95 | - | 1.17 | s |
| $t_{d(busact-bias)}$ | delay time from bus active to bias | | - | - | 200 | μs |
| $t_{startup(CAN)}$ | CAN start-up time | when switching to Active mode (CTS = 1) | - | - | 220 | μs |
| $t_{ftr(wake)bus}$ | bus wake-up filter time | CAN Offline mode | 0.5 | - | 3 | μs |
| CAN partial networking | | | | | | |
| $N_{bit(idle)}$ | number of idle bits | before a new SOF is accepted; CFDC = 1 | 6 | - | 10 | - |
| $t_{ftr(bit)dom}$ | dominant bit filter time | arbitration data rate $\leq 500\text{ kbit/s}$; [3] CFDC = 1 | 5 | - | 17.5 | % |
| Pin RXD: interrupt/wake-up event timing (valid in CAN Offline mode only) change to interrupt response time | | | | | | |
| $t_{d(event)}$ | event capture delay time | CAN Offline mode | 0.9 | - | 1.1 | ms |
| t_{blank} | blanking time | when switching from Offline to Active/Listen-only mode | - | - | 25 | μs |

Table 35. Dynamic characteristics ...continued

$T_{vj} = -40\text{ }^{\circ}\text{C}$ to $+150\text{ }^{\circ}\text{C}$; $V_{BAT} = 4.5\text{ V}$ to 28 V ; $V_{IO} = 2.85\text{ V}$ to 5.5 V ; $V_{CC} = 4.5\text{ V}$ to 5.5 V ; $R_{(CANH-CANL)} = 60\ \Omega$; all voltages are defined with respect to ground; positive currents flow into the IC; typical values are given at $V_{BAT} = 13\text{ V}$; unless otherwise specified.^[1]

| Symbol | Parameter | Conditions | Min | Typ | Max | Unit |
|-----------------------|-----------------------------------------|------------|-----|-----|-----|---------------|
| Pin WAKE | | | | | | |
| t_{wake} | wake-up time | | 50 | - | - | μs |
| Pin INH | | | | | | |
| $t_{d(buswake-INHH)}$ | delay time from bus wake-up to INH HIGH | | - | - | 100 | μs |

- [1] All parameters are guaranteed over the virtual junction temperature range by design. Factory testing uses correlated test conditions to cover the specified temperature and power supply voltage range.
- [2] See [Figure 14](#).
- [3] Up to 2 Mbit/s data speed.

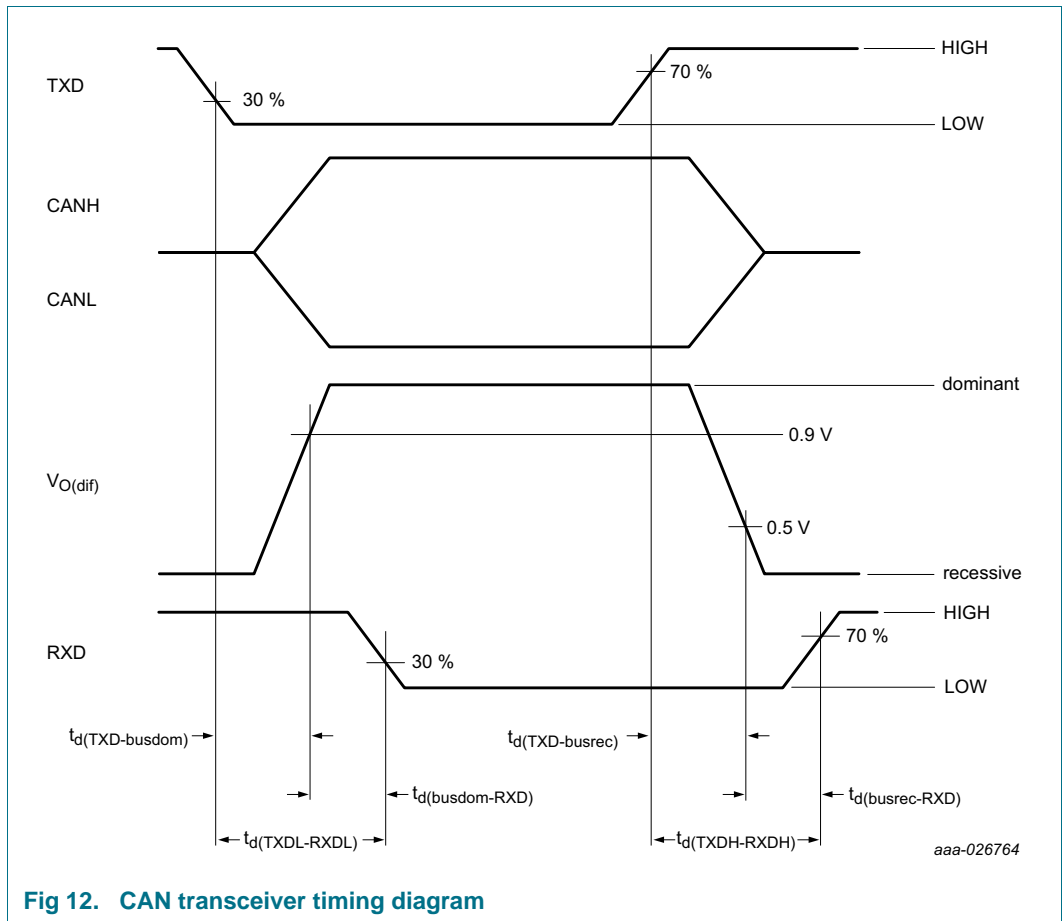


Fig 12. CAN transceiver timing diagram

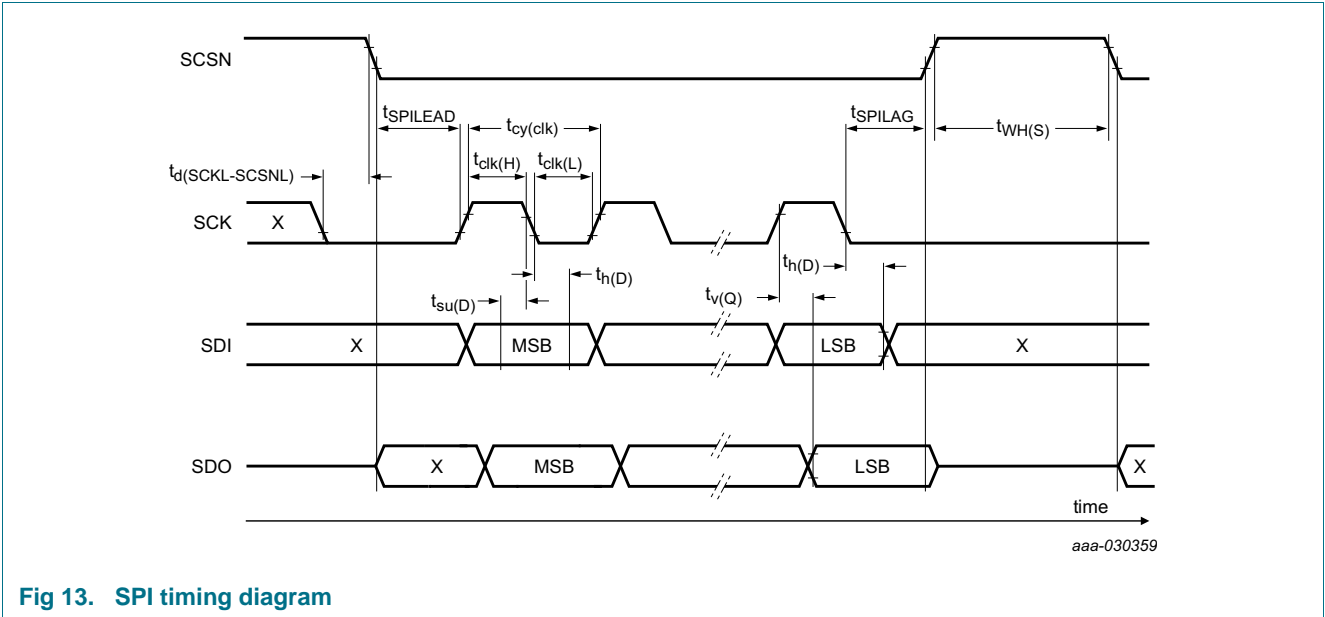


Fig 13. SPI timing diagram

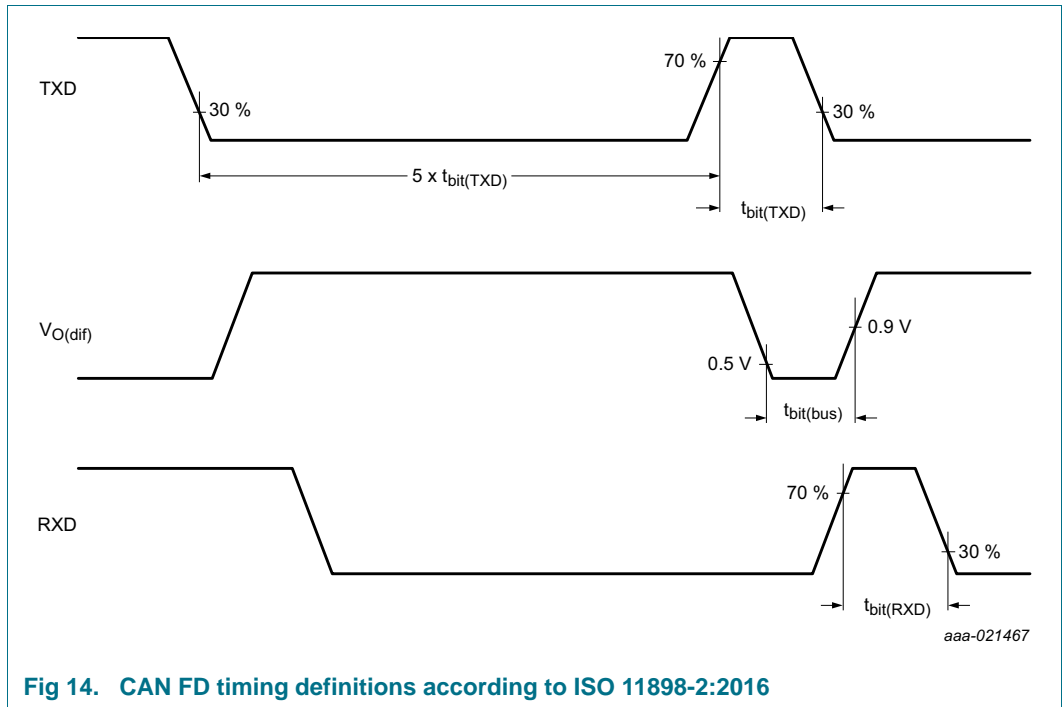


Fig 14. CAN FD timing definitions according to ISO 11898-2:2016

12. Application information

12.1 Application diagram

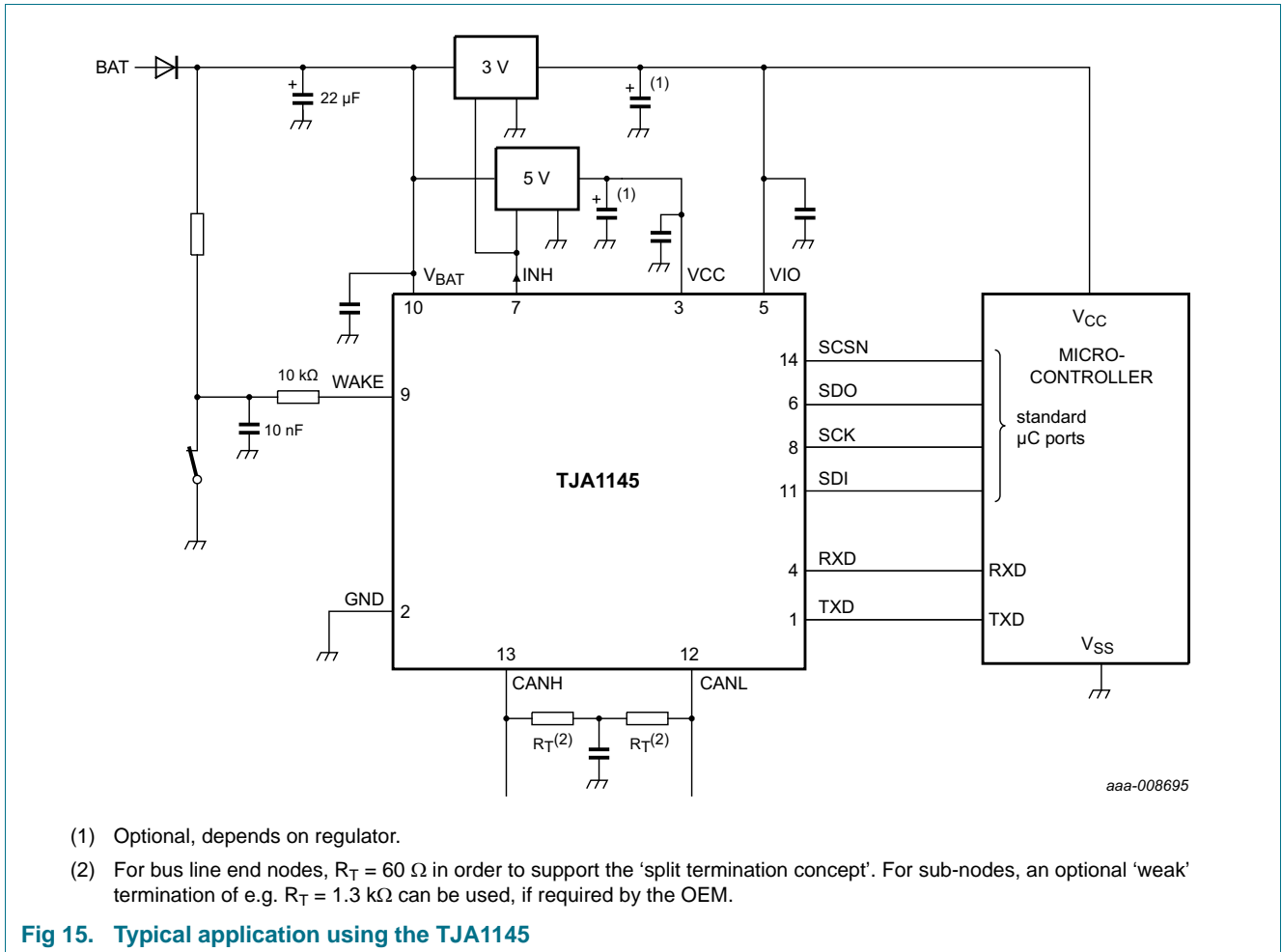


Fig 15. Typical application using the TJA1145

12.2 Application hints

Further information on the application of the TJA1145 can be found in the NXP application hints document *TR1309 Application Hints - High speed CAN transceiver for partial networking TJA1145*.

13. Test information

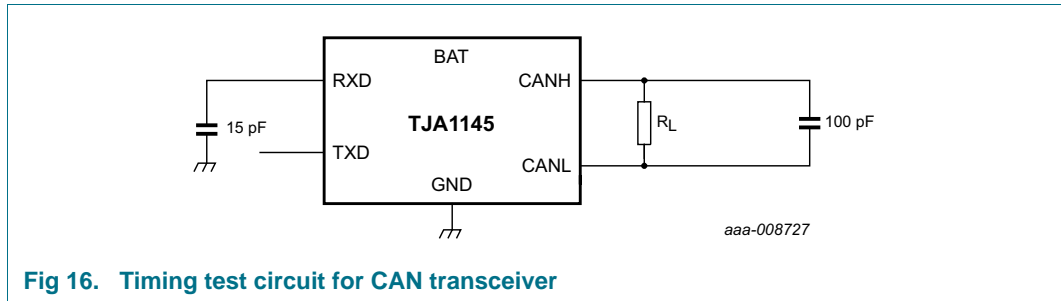


Fig 16. Timing test circuit for CAN transceiver

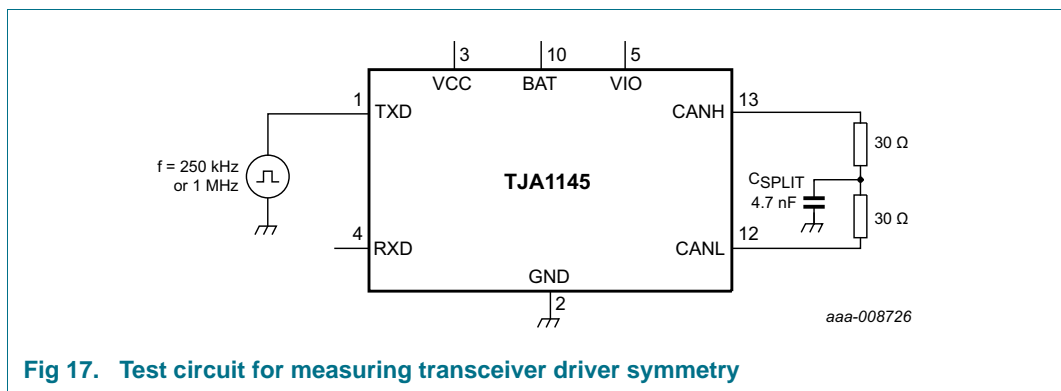


Fig 17. Test circuit for measuring transceiver driver symmetry

13.1 Quality information

This product has been qualified in accordance with the Automotive Electronics Council (AEC) standard Q100 Rev-G - *Failure mechanism based stress test qualification for integrated circuits*, and is suitable for use in automotive applications.

14. Package outline

SO14: plastic small outline package; 14 leads; body width 3.9 mm

SOT108-1

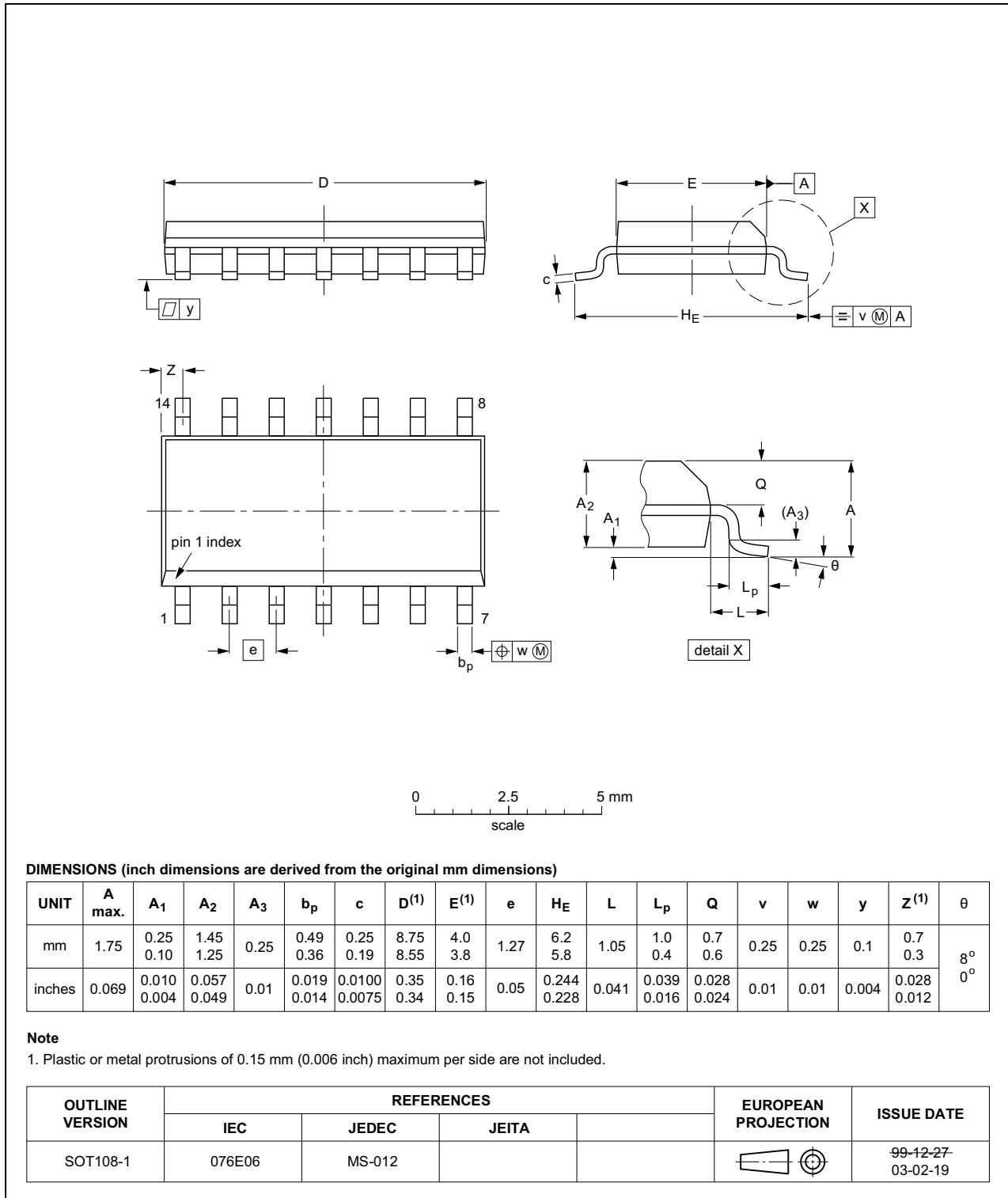


Fig 18. Package outline SOT108-1 (SO14)

HVSON14: plastic, thermal enhanced very thin small outline package; no leads; 14 terminals; body 3 x 4.5 x 0.85 mm

SOT1086-2

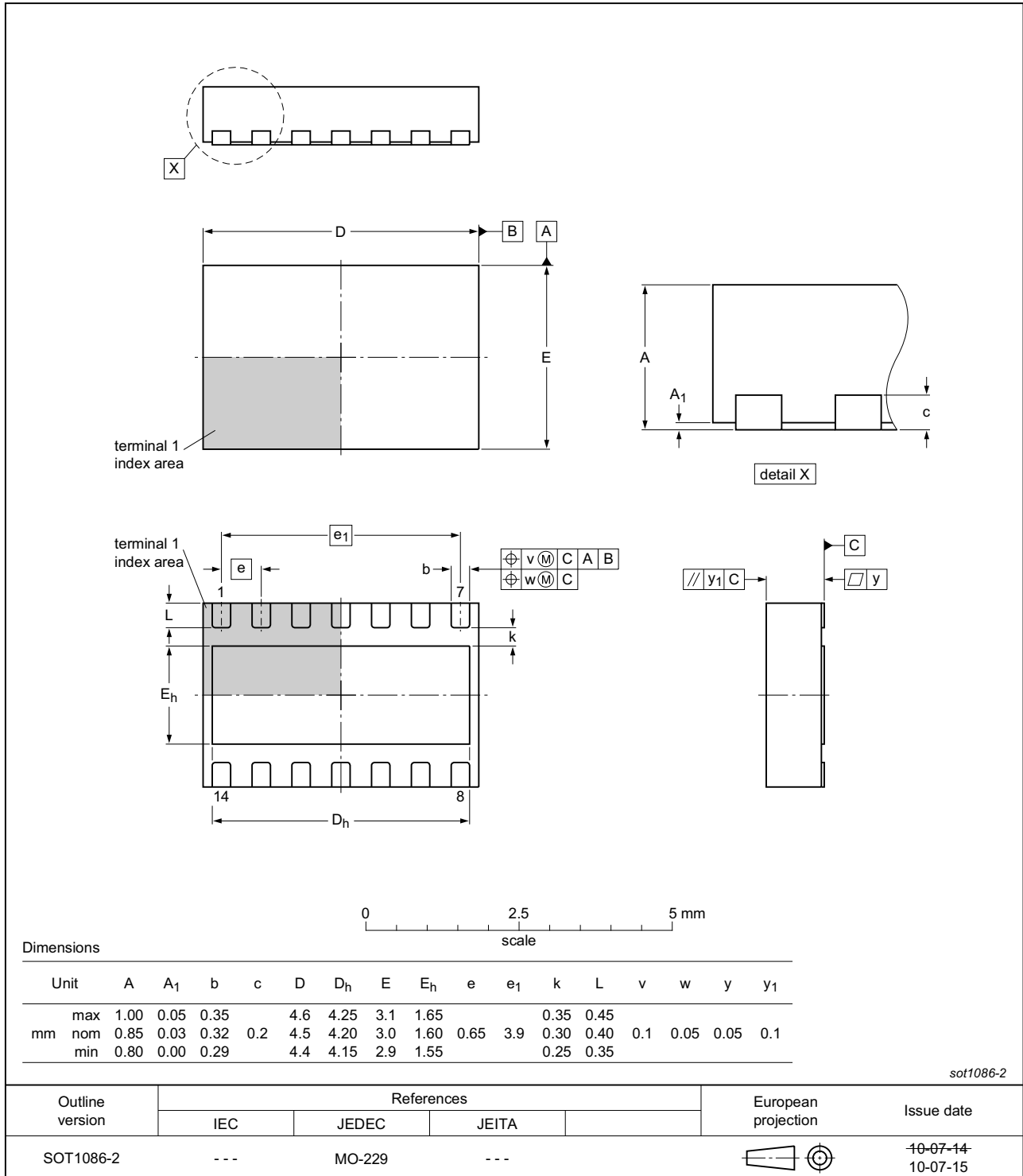


Fig 19. Package outline SOT1086-2 (HVSON14)

15. Handling information

All input and output pins are protected against ElectroStatic Discharge (ESD) under normal handling. When handling ensure that the appropriate precautions are taken as described in *JESD625-A* or equivalent standards.

16. Soldering of SMD packages

This text provides a very brief insight into a complex technology. A more in-depth account of soldering ICs can be found in Application Note *AN10365 "Surface mount reflow soldering description"*.

16.1 Introduction to soldering

Soldering is one of the most common methods through which packages are attached to Printed Circuit Boards (PCBs), to form electrical circuits. The soldered joint provides both the mechanical and the electrical connection. There is no single soldering method that is ideal for all IC packages. Wave soldering is often preferred when through-hole and Surface Mount Devices (SMDs) are mixed on one printed wiring board; however, it is not suitable for fine pitch SMDs. Reflow soldering is ideal for the small pitches and high densities that come with increased miniaturization.

16.2 Wave and reflow soldering

Wave soldering is a joining technology in which the joints are made by solder coming from a standing wave of liquid solder. The wave soldering process is suitable for the following:

- Through-hole components
- Leaded or leadless SMDs, which are glued to the surface of the printed circuit board

Not all SMDs can be wave soldered. Packages with solder balls, and some leadless packages which have solder lands underneath the body, cannot be wave soldered. Also, leaded SMDs with leads having a pitch smaller than ~0.6 mm cannot be wave soldered, due to an increased probability of bridging.

The reflow soldering process involves applying solder paste to a board, followed by component placement and exposure to a temperature profile. Leaded packages, packages with solder balls, and leadless packages are all reflow solderable.

Key characteristics in both wave and reflow soldering are:

- Board specifications, including the board finish, solder masks and vias
- Package footprints, including solder thieves and orientation
- The moisture sensitivity level of the packages
- Package placement
- Inspection and repair
- Lead-free soldering versus SnPb soldering

16.3 Wave soldering

Key characteristics in wave soldering are:

- Process issues, such as application of adhesive and flux, clinching of leads, board transport, the solder wave parameters, and the time during which components are exposed to the wave
- Solder bath specifications, including temperature and impurities

16.4 Reflow soldering

Key characteristics in reflow soldering are:

- Lead-free versus SnPb soldering; note that a lead-free reflow process usually leads to higher minimum peak temperatures (see [Figure 20](#)) than a SnPb process, thus reducing the process window
- Solder paste printing issues including smearing, release, and adjusting the process window for a mix of large and small components on one board
- Reflow temperature profile; this profile includes preheat, reflow (in which the board is heated to the peak temperature) and cooling down. It is imperative that the peak temperature is high enough for the solder to make reliable solder joints (a solder paste characteristic). In addition, the peak temperature must be low enough that the packages and/or boards are not damaged. The peak temperature of the package depends on package thickness and volume and is classified in accordance with [Table 36](#) and [37](#)

Table 36. SnPb eutectic process (from J-STD-020D)

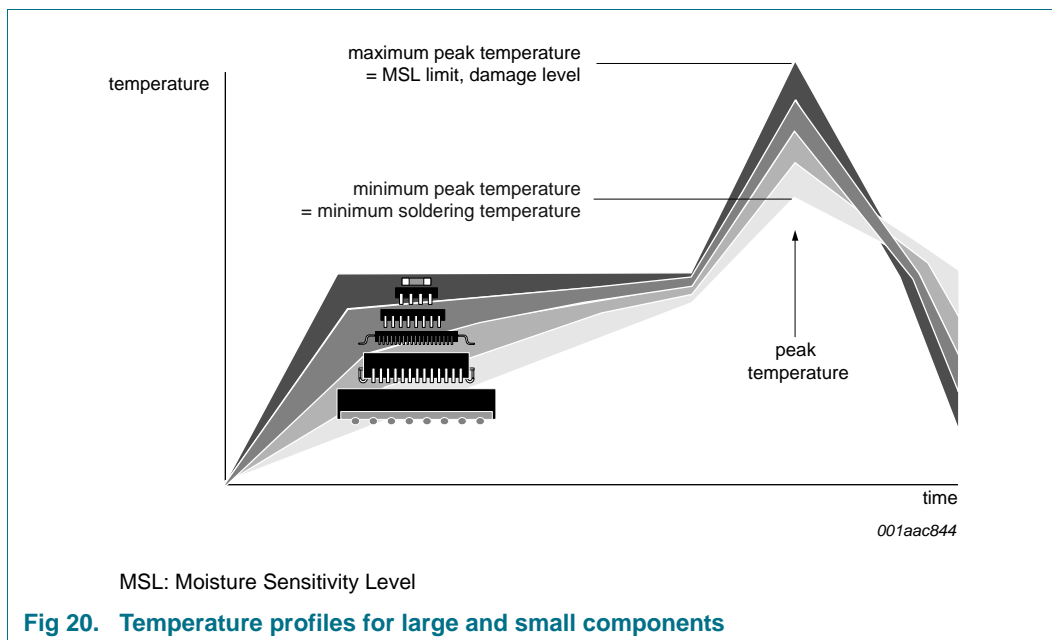
| Package thickness (mm) | Package reflow temperature (°C) | |
|------------------------|---------------------------------|-------|
| | Volume (mm ³) | |
| | < 350 | ≥ 350 |
| < 2.5 | 235 | 220 |
| ≥ 2.5 | 220 | 220 |

Table 37. Lead-free process (from J-STD-020D)

| Package thickness (mm) | Package reflow temperature (°C) | | |
|------------------------|---------------------------------|-------------|--------|
| | Volume (mm ³) | | |
| | < 350 | 350 to 2000 | > 2000 |
| < 1.6 | 260 | 260 | 260 |
| 1.6 to 2.5 | 260 | 250 | 245 |
| > 2.5 | 250 | 245 | 245 |

Moisture sensitivity precautions, as indicated on the packing, must be respected at all times.

Studies have shown that small packages reach higher temperatures during reflow soldering, see [Figure 20](#).



For further information on temperature profiles, refer to Application Note *AN10365* “*Surface mount reflow soldering description*”.

17. Soldering of HVSON packages

[Section 16](#) contains a brief introduction to the techniques most commonly used to solder Surface Mounted Devices (SMD). A more detailed discussion on soldering HVSON leadless package ICs can be found in the following application notes:

- *AN10365* “*Surface mount reflow soldering description*”
- *AN10366* “*HVQFN application information*”

18. Appendix: ISO 11898-2:2016 parameter cross-reference list

Table 38. ISO 11898-2:2016 to NXP data sheet parameter conversion

| ISO 11898-2:2016 | | NXP data sheet | |
|--------------------------------------------------------------------------------------------------------------------------------------------------------------|------------------------------|------------------|-----------------------------------------|
| Parameter | Notation | Symbol | Parameter |
| HS-PMA dominant output characteristics | | | |
| Single ended voltage on CAN_H | V_{CAN_H} | $V_{O(dom)}$ | dominant output voltage |
| Single ended voltage on CAN_L | V_{CAN_L} | | |
| Differential voltage on normal bus load | V_{Diff} | $V_{O(dif)}$ | differential output voltage |
| Differential voltage on effective resistance during arbitration | | | |
| Optional: Differential voltage on extended bus load range | | | |
| HS-PMA driver symmetry | | | |
| Driver symmetry | V_{SYM} | V_{TXsym} | transmitter voltage symmetry |
| Maximum HS-PMA driver output current | | | |
| Absolute current on CAN_H | I_{CAN_H} | $I_{O(sc)dom}$ | dominant short-circuit output current |
| Absolute current on CAN_L | I_{CAN_L} | | |
| HS-PMA recessive output characteristics, bus biasing active/inactive | | | |
| Single ended output voltage on CAN_H | V_{CAN_H} | $V_{O(rec)}$ | recessive output voltage |
| Single ended output voltage on CAN_L | V_{CAN_L} | | |
| Differential output voltage | V_{Diff} | $V_{O(dif)}$ | differential output voltage |
| Optional HS-PMA transmit dominant timeout | | | |
| Transmit dominant timeout, long | t_{dom} | $t_{to(dom)TXD}$ | TXD dominant time-out time |
| Transmit dominant timeout, short | | | |
| HS-PMA static receiver input characteristics, bus biasing active/inactive | | | |
| Recessive state differential input voltage range | V_{Diff} | $V_{th(RX)dif}$ | differential receiver threshold voltage |
| Dominant state differential input voltage range | | $V_{rec(RX)}$ | receiver recessive voltage |
| | | $V_{dom(RX)}$ | receiver dominant voltage |
| HS-PMA receiver input resistance (matching) | | | |
| Differential internal resistance | R_{Diff} | $R_{i(dif)}$ | differential input resistance |
| Single ended internal resistance | R_{CAN_H} R_{CAN_L} | R_i | input resistance |
| Matching of internal resistance | MR | ΔR_i | input resistance deviation |
| HS-PMA implementation loop delay requirement | | | |
| Loop delay | t_{Loop} | $t_d(TXDH-RXDH)$ | delay time from TXD HIGH to RXD HIGH |
| | | $t_d(TXDL-RXDL)$ | delay time from TXD LOW to RXD LOW |
| Optional HS-PMA implementation data signal timing requirements for use with bit rates above 1 Mbit/s up to 2 Mbit/s and above 2 Mbit/s up to 5 Mbit/s | | | |
| Transmitted recessive bit width @ 2 Mbit/s / @ 5 Mbit/s, intended | $t_{Bit(Bus)}$ | $t_{bit(bus)}$ | transmitted recessive bit width |
| Received recessive bit width @ 2 Mbit/s / @ 5 Mbit/s | $t_{Bit(RXD)}$ | $t_{bit(RXD)}$ | bit time on pin RXD |
| Receiver timing symmetry @ 2 Mbit/s / @ 5 Mbit/s | Δt_{Rec} | Δt_{rec} | receiver timing symmetry |

Table 38. ISO 11898-2:2016 to NXP data sheet parameter conversion

| ISO 11898-2:2016 | | NXP data sheet | |
|--------------------------------------------------------------------------------------------|------------------------------------------|------------------------------------------|---------------------------------------|
| Parameter | Notation | Symbol | Parameter |
| HS-PMA maximum ratings of V_{CAN_H}, V_{CAN_L} and V_{Diff} | | | |
| Maximum rating V _{Diff} | V _{Diff} | V _(CANH-CANL) | voltage between pin CANH and pin CANL |
| General maximum rating V _{CAN_H} and V _{CAN_L} | V _{CAN_H} | V _x | voltage on pin x |
| Optional: Extended maximum rating V _{CAN_H} and V _{CAN_L} | V _{CAN_L} | | |
| HS-PMA maximum leakage currents on CAN_H and CAN_L, unpowered | | | |
| Leakage current on CAN_H, CAN_L | I _{CAN_H} I _{CAN_L} | I _L | leakage current |
| Number of recessive bits before next SOF | | | |
| Number of recessive bits before a new SOF shall be accepted | N _{Bits_idle} | N _{bit(idle)} | number of idle bits |
| Bitfilter in CAN FD data phase | | | |
| CAN FD data phase bitfilter (option 1) | pBitfilter _{option1} | t _{filtr(bit)dom} | dominant bit filter time |
| HS-PMA bus biasing control timings | | | |
| CAN activity filter time, long | t _{Filter} | t _{wake(busdom)} ^[1] | bus dominant wake-up time |
| CAN activity filter time, short | | t _{wake(busrec)} ^[1] | bus recessive wake-up time |
| Wake-up timeout, short | t _{Wake} | t _{to(wake)bus} | bus wake-up time-out time |
| Wake-up timeout, long | | | |
| Timeout for bus inactivity | t _{Silence} | t _{to(silence)} | bus silence time-out time |
| Bus Bias reaction time | t _{Bias} | t _{d(busact-bias)} | delay time from bus active to bias |

[1] t_{filtr(wake)bus} - bus wake-up filter time, in devices with basic wake-up functionality

19. Revision history

Table 39. Revision history

| Document ID | Release date | Data sheet status | Change notice | Supersedes |
|----------------|---------------------------------------------------------------------------------------------------------------------------------------------------------------------------------------------------------------------------------------------------------------------------------------------------------------------------------------------------------------------------------------------------------------------------------------------------------------------------------------------------------------------------------------------------------------------------------------------------------------------------------------------------------------------------------------------------------------------------------------------------------------------------------------------------------------------------------------------------------------------------------------------------------------------------------------------------------------------------------------------------------------------------------------------------------------------------------------------------------------------------------------------------------------------------------------------------------------------------------------------------------------------------------------------------------------------------------------------------------------------------------------------------------------------------------------------------------------------------------------------------------------------------------------------------------------------------------------------------------------------------------------------------------------------------------------------------------------------------------------------------------------------------------------------------------------------------------------------------------------------------------------------------------------------------------------------------------------------------------------------------------------------------------------------------|--------------------|---------------|---------------|
| TJA1145 v.4 | 20180509 | Product data sheet | - | TJA1145 v.3.1 |
| Modifications: | <ul style="list-style-type: none"> • Updated to comply with ISO 11898-2:2016 and SAE J22884-1 through SAE J2284-4 specifications: <ul style="list-style-type: none"> – Section 1: text amended (2nd last paragraph) – Section 2.1: text amended (1st entry) – Table 34: values changed and/or measurements conditions amended/added for parameters I_{CC}, I_{BAT}, V_{TXsym}, $I_{O(sc)dom}$, $V_{rec(RX)}$, $V_{dom(RX)}$, R_i, ΔR_i and $R_{i(dif)}$ – Table 35: parameters added - $N_{bit(idle)}$, $t_{ftr(bit)dom}$, $t_{d(SCKL-SCSNL)}$; values changed and/or measurements conditions amended for $t_{clk(H)}$, $t_{clk(L)}$ and $t_{ftr(wake)bus}$; SPI parameters apply in Normal, Standby and Sleep modes – Table 35: Table note 3 added – Table 38: ISO/NXP parameters added: $N_{Bits_idle}/N_{bit(idle)}$ and $pBitfilter_{option1}/t_{ftr(bit)dom}$ – Figure 14: title changed • Figure 5: Figure note 1 amended ('or CAN Listen-only mode' added) • Table 7: description for symbol CPNC and CMC changed • Table 8: description for symbol CPNERR changed; Table note 1 added • Table 16: description for symbol CBS changed • Section 7.2, Section 7.2.1.2, Section 7.3.1, Section 7.3.2 and Table 16: text amended • Amended Figure 12, Figure 13, Figure 15 and Figure 17 | | | |
| TJA1145 v.3.01 | 20160608 | Product data sheet | - | TJA1145 v.2 |
| TJA1145 v.2 | 20140418 | Product data sheet | - | TJA1145 v.1 |
| TJA1145 v.1 | 20130927 | Product data sheet | - | - |

20. Legal information

20.1 Data sheet status

| Document status ^{[1][2]} | Product status ^[3] | Definition |
|-----------------------------------|-------------------------------|---------------------------------------------------------------------------------------|
| Objective [short] data sheet | Development | This document contains data from the objective specification for product development. |
| Preliminary [short] data sheet | Qualification | This document contains data from the preliminary specification. |
| Product [short] data sheet | Production | This document contains the product specification. |

[1] Please consult the most recently issued document before initiating or completing a design.

[2] The term 'short data sheet' is explained in section "Definitions".

[3] The product status of device(s) described in this document may have changed since this document was published and may differ in case of multiple devices. The latest product status information is available on the Internet at URL <http://www.nxp.com>.

20.2 Definitions

Draft — The document is a draft version only. The content is still under internal review and subject to formal approval, which may result in modifications or additions. NXP Semiconductors does not give any representations or warranties as to the accuracy or completeness of information included herein and shall have no liability for the consequences of use of such information.

Short data sheet — A short data sheet is an extract from a full data sheet with the same product type number(s) and title. A short data sheet is intended for quick reference only and should not be relied upon to contain detailed and full information. For detailed and full information see the relevant full data sheet, which is available on request via the local NXP Semiconductors sales office. In case of any inconsistency or conflict with the short data sheet, the full data sheet shall prevail.

Product specification — The information and data provided in a Product data sheet shall define the specification of the product as agreed between NXP Semiconductors and its customer, unless NXP Semiconductors and customer have explicitly agreed otherwise in writing. In no event however, shall an agreement be valid in which the NXP Semiconductors product is deemed to offer functions and qualities beyond those described in the Product data sheet.

20.3 Disclaimers

Limited warranty and liability — Information in this document is believed to be accurate and reliable. However, NXP Semiconductors does not give any representations or warranties, expressed or implied, as to the accuracy or completeness of such information and shall have no liability for the consequences of use of such information. NXP Semiconductors takes no responsibility for the content in this document if provided by an information source outside of NXP Semiconductors.

In no event shall NXP Semiconductors be liable for any indirect, incidental, punitive, special or consequential damages (including - without limitation - lost profits, lost savings, business interruption, costs related to the removal or replacement of any products or rework charges) whether or not such damages are based on tort (including negligence), warranty, breach of contract or any other legal theory.

Notwithstanding any damages that customer might incur for any reason whatsoever, NXP Semiconductors' aggregate and cumulative liability towards customer for the products described herein shall be limited in accordance with the *Terms and conditions of commercial sale* of NXP Semiconductors.

Right to make changes — NXP Semiconductors reserves the right to make changes to information published in this document, including without limitation specifications and product descriptions, at any time and without notice. This document supersedes and replaces all information supplied prior to the publication hereof.

Suitability for use in automotive applications — This NXP Semiconductors product has been qualified for use in automotive applications. Unless otherwise agreed in writing, the product is not designed, authorized or warranted to be suitable for use in life support, life-critical or safety-critical systems or equipment, nor in applications where failure or malfunction of an NXP Semiconductors product can reasonably be expected to result in personal injury, death or severe property or environmental damage. NXP Semiconductors and its suppliers accept no liability for inclusion and/or use of NXP Semiconductors products in such equipment or applications and therefore such inclusion and/or use is at the customer's own risk.

Applications — Applications that are described herein for any of these products are for illustrative purposes only. NXP Semiconductors makes no representation or warranty that such applications will be suitable for the specified use without further testing or modification.

Customers are responsible for the design and operation of their applications and products using NXP Semiconductors products, and NXP Semiconductors accepts no liability for any assistance with applications or customer product design. It is customer's sole responsibility to determine whether the NXP Semiconductors product is suitable and fit for the customer's applications and products planned, as well as for the planned application and use of customer's third party customer(s). Customers should provide appropriate design and operating safeguards to minimize the risks associated with their applications and products.

NXP Semiconductors does not accept any liability related to any default, damage, costs or problem which is based on any weakness or default in the customer's applications or products, or the application or use by customer's third party customer(s). Customer is responsible for doing all necessary testing for the customer's applications and products using NXP Semiconductors products in order to avoid a default of the applications and the products or of the application or use by customer's third party customer(s). NXP does not accept any liability in this respect.

Limiting values — Stress above one or more limiting values (as defined in the Absolute Maximum Ratings System of IEC 60134) will cause permanent damage to the device. Limiting values are stress ratings only and (proper) operation of the device at these or any other conditions above those given in the Recommended operating conditions section (if present) or the Characteristics sections of this document is not warranted. Constant or repeated exposure to limiting values will permanently and irreversibly affect the quality and reliability of the device.

Terms and conditions of commercial sale — NXP Semiconductors products are sold subject to the general terms and conditions of commercial sale, as published at <http://www.nxp.com/profile/terms>, unless otherwise agreed in a valid written individual agreement. In case an individual agreement is concluded only the terms and conditions of the respective agreement shall apply. NXP Semiconductors hereby expressly objects to applying the customer's general terms and conditions with regard to the purchase of NXP Semiconductors products by customer.

No offer to sell or license — Nothing in this document may be interpreted or construed as an offer to sell products that is open for acceptance or the grant, conveyance or implication of any license under any copyrights, patents or other industrial or intellectual property rights.

Export control — This document as well as the item(s) described herein may be subject to export control regulations. Export might require a prior authorization from competent authorities.

Translations — A non-English (translated) version of a document is for reference only. The English version shall prevail in case of any discrepancy between the translated and English versions.

20.4 Trademarks

Notice: All referenced brands, product names, service names and trademarks are the property of their respective owners.

21. Contact information

For more information, please visit: <http://www.nxp.com>

For sales office addresses, please send an email to: salesaddresses@nxp.com

22. Contents

| | | | | | |
|----------|---------------------------------------------------------------------|----------|-----------|----------------------------------------------------------------------------|-----------|
| 1 | General description | 1 | 7.7 | Device ID | 27 |
| 2 | Features and benefits | 1 | 7.8 | Lock control register | 27 |
| 2.1 | General | 1 | 7.9 | General-purpose memory | 28 |
| 2.2 | Designed for automotive applications | 2 | 7.10 | VIO supply pin | 28 |
| 2.3 | Advanced ECU power management system | 2 | 7.11 | V _{CC} /V _{IO} undervoltage protection | 28 |
| 2.4 | Protection and diagnosis | 2 | 7.12 | SPI | 29 |
| 3 | Quick reference data | 3 | 7.12.1 | Introduction | 29 |
| 4 | Ordering information | 4 | 7.12.2 | Register map | 30 |
| 5 | Block diagram | 4 | 7.12.3 | Register configuration in TJA1145 operating modes | 33 |
| 6 | Pinning information | 5 | 8 | Limiting values | 35 |
| 6.1 | Pinning | 5 | 9 | Thermal characteristics | 36 |
| 6.2 | Pin description | 5 | 10 | Static characteristics | 36 |
| 7 | Functional description | 6 | 11 | Dynamic characteristics | 41 |
| 7.1 | System controller | 6 | 12 | Application information | 45 |
| 7.1.1 | Operating modes | 6 | 12.1 | Application diagram | 45 |
| 7.1.1.1 | Normal mode | 6 | 12.2 | Application hints | 45 |
| 7.1.1.2 | Standby mode | 6 | 13 | Test information | 46 |
| 7.1.1.3 | Sleep mode | 7 | 13.1 | Quality information | 46 |
| 7.1.1.4 | Off mode | 8 | 14 | Package outline | 47 |
| 7.1.1.5 | Overtemp mode | 8 | 15 | Handling information | 49 |
| 7.1.1.6 | Hardware characterization for the TJA1145 operating modes | 9 | 16 | Soldering of SMD packages | 49 |
| 7.1.2 | System control registers | 9 | 16.1 | Introduction to soldering | 49 |
| 7.2 | High-speed CAN transceiver | 10 | 16.2 | Wave and reflow soldering | 49 |
| 7.2.1 | CAN operating modes | 10 | 16.3 | Wave soldering | 49 |
| 7.2.1.1 | CAN Active mode | 10 | 16.4 | Reflow soldering | 50 |
| 7.2.1.2 | CAN Listen-only mode | 12 | 17 | Soldering of HVSON packages | 51 |
| 7.2.1.3 | CAN Offline and Offline Bias modes | 12 | 18 | Appendix: ISO 11898-2:2016 parameter cross-reference list | 52 |
| 7.2.1.4 | CAN Off mode | 13 | 19 | Revision history | 54 |
| 7.2.2 | CAN standard wake-up (partial networking not enabled) | 13 | 20 | Legal information | 55 |
| 7.2.3 | CAN control and Transceiver status registers | 14 | 20.1 | Data sheet status | 55 |
| 7.3 | CAN partial networking | 16 | 20.2 | Definitions | 55 |
| 7.3.1 | Wake-up frame (WUF) | 16 | 20.3 | Disclaimers | 55 |
| 7.3.2 | CAN FD frames | 18 | 20.4 | Trademarks | 56 |
| 7.3.3 | CAN partial networking configuration registers | 19 | 21 | Contact information | 56 |
| 7.4 | Fail-safe features | 21 | 22 | Contents | 57 |
| 7.4.1 | TXD dominant time-out | 21 | | | |
| 7.4.2 | Pull-up on TXD pin | 21 | | | |
| 7.4.3 | V _{CC} undervoltage event | 21 | | | |
| 7.4.4 | Loss of power at pin BAT | 22 | | | |
| 7.5 | Local wake-up via WAKE pin | 22 | | | |
| 7.6 | Wake-up and interrupt event diagnosis via pin RXD | 22 | | | |
| 7.6.1 | Interrupt/wake-up delay | 24 | | | |
| 7.6.2 | Sleep mode protection | 24 | | | |
| 7.6.3 | Event status and event capture registers | 24 | | | |

Please be aware that important notices concerning this document and the product(s) described herein, have been included in section 'Legal information'.

© NXP Semiconductors N.V. 2018.

All rights reserved.

For more information, please visit: <http://www.nxp.com>

For sales office addresses, please send an email to: salesaddresses@nxp.com

Date of release: 09 May 2018

Document identifier: TJA1145

X-ON Electronics

Largest Supplier of Electrical and Electronic Components

Click to view similar products for [CAN Interface IC category](#):

Click to view products by [NXP manufacturer](#):

Other Similar products are found below :

[416694H](#) [MAX33041EASA+T](#) [IL41050TA-1E](#) [TJA1042T1J](#) [TJA1042T31J](#) [SN65LBC031DG4](#) [TJA1050T/CM,118](#) [MAX13051ESA+T](#)
[SJA1000T/N1.118](#) [MCP2562FD-EP](#) [MCP2561FD-EP](#) [LTM2889IY-5#PBF](#) [IA82527PQF44AR2](#) [ADM3053BRWZ-REEL7](#) [ADM3051CRZ-](#)
[REEL7](#) [ADM3052BRWZ-REEL7](#) [IA82527PLC44AR2](#) [LT3960JMSE#TRPBF](#) [LT3960JMSE#PBF](#) [TJA1040TCM,118](#) [TD041SCANH](#)
[TDH541SCANH](#) [SIT1050TK](#) [SIT1040TK](#) [MCP25625-ESS](#) [MAX3053ESA+T](#) [MAX13041ASDV](#) [MAX3057ASA+T](#) [MCP2515T-I/ST](#)
[MAX13051ASA+](#) [NCV7341D21R2G](#) [MC33897CTEFR2](#) [MAX3056ASD+](#) [MAX3054ASD+](#) [MAX3055ASD+](#) [MAX3051ESA+T](#)
[MCP2510-I/P](#) [MCP2510-I/SO](#) [MCP2515-I/P](#) [MCP2515-I/SO](#) [MCP2515-I/ST](#) [MCP2515T-I/SO](#) [MCP2551-E/P](#) [MCP2551-E/SN](#) [MCP2551-](#)
[I/P](#) [MCP2551-I/SN](#) [MCP2561-E/P](#) [MCP2561FD-HP](#) [MCP2561-H/SN](#) [MCP2561T-ESN](#)