

S12 MagniV® Mixed-Signal MCUs S12VR Family

Integrated Solution for Relay Driver (e.g., Windowlift/Sunroof)

Features



Relay Driver



V_{REG} for 12 V Supply



Integrated LIN Phy



Ultra-Reliable Industrial

Product One-Sheet

Get Sample

Data Sheet

Tools

System in a package—Highly integrated part ideal for space-constrained relay driven DC motors on LIN Bus

Low system cost—Direct connection with battery, integrated LIN Phy, LS & HS drivers and EVDD reduce system, qualification and manufacturing cost.

High reliability—High immunity to EMI and ESD stresses, LIN 2.x compliant with +/- 8 kV ESD capability.

Enablement—Supported by comprehensive hardware and software solution, which reduces development costs and time-to-market

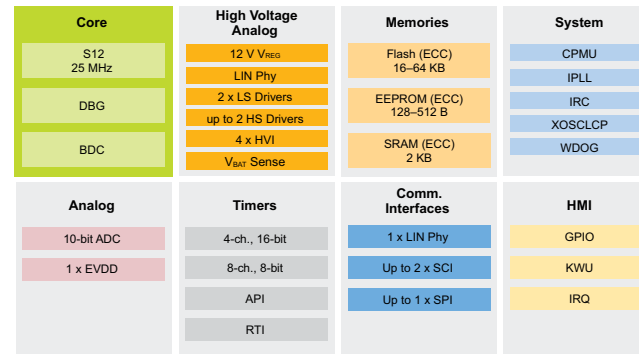
S12VR Specifications

Flash	16-64 KB	LS/HS Driver	2/up to 2
RAM	2 KB	V _{REG}	70 mA at 12 V
EEPROM	128-512 B	EVDD	1-ch. 5 V/20 mA (source)
Core	S12, 25 MHz	SCI/SPI	Up to 2/1
ADC	10-bit, 10-ch.	Packages	32 LQFP, 48 LQFP
HVI	4	Timer/PWM	4-ch., 16-bit/4-ch., 16-bit
LIN Phy	1	Op Range	5.5 V-18 V

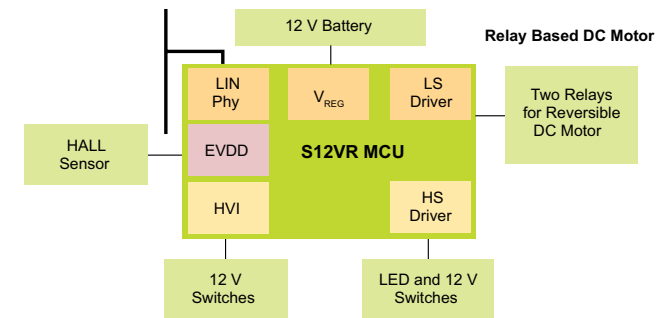
Part Numbers

Part Number	Temp Range	Package
S9S12VR64AF0MLF	-40 °C to 125 °C	48 LQFP
S9S12VR64AF0MLC	-40 °C to 125 °C	32 LQFP
S9S12VR32F0MLC	-40 °C to 125 °C	32 LQFP

Product Block Diagram



Application Example Block Diagram



Success Stories

- ▶ Anti-pinch window lift and sunroof
- ▶ Power lift gate
- ▶ Seat heating
- ▶ Small LIN node

Target Applications

- ▶ Anti-pinch window lift
- ▶ Sunroof
- ▶ Automatic doors
- ▶ Power lift gate
- ▶ Seat adjustment
- ▶ Seat heating
- ▶ Small LIN node

Enablement Tools

- ▶ Evaluation boards/hardware
 - S12VR64EVB
 - S12VR32EVB
 - DEVKIT-S12ZVR64
- ▶ Reference solutions
 - Anti-pinch window lift reference design
- ▶ Compiler/Debugger
 - CodeWarrior® IDE
 - Cosmic IDE
- ▶ LIN stack

www.NXP.com/S12VR

NXP, the NXP logo, CodeWarrior and MagniV are trademarks of NXP B.V. All other product or service names are the property of their respective owners. © 2016 NXP B.V.

Document Number: S12VRFS REV 3



X-ON Electronics

Largest Supplier of Electrical and Electronic Components

Click to view similar products for [Development Boards & Kits - S08/S12 category](#):

Click to view products by [NXP manufacturer](#):

Other Similar products are found below :

[S12ZVML12EVBLIN](#) [S12ZVMC12EVBCAN](#) [DEMO9S08DZ60](#) [DEVKIT-S12G128](#) [DEVKIT-S12VR64](#) [S12ZVMAEVB](#) [TRK-S12VR-](#)
[WLFT](#) [TWR-S12G240-KIT](#) [VLG-MC9S12ZVC](#) [TWR-S12G64-KIT](#) [DEMO9S08JS16](#) [S08SU16-EVK](#) [S12VR64EVB3](#) [S12ZVM32EVB](#)
[DEMO9S12XDT512E](#) [TWR-S12GN32-KIT](#) [DEVKIT-S12VRP](#) [MTRCKTSPNZVM128](#) [S12VR32EVB](#) [TRK-S12ZVL](#)