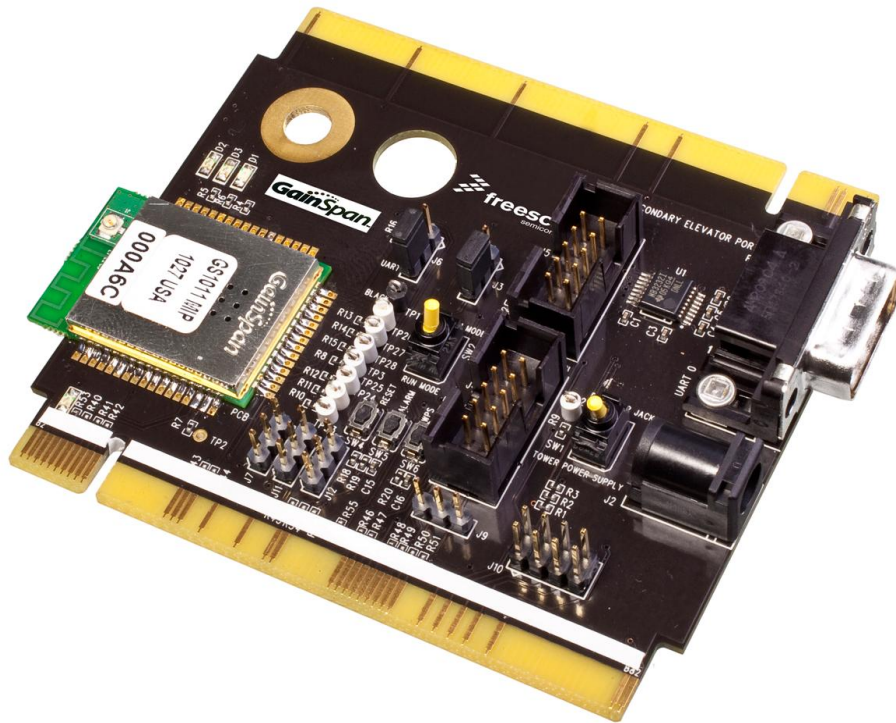


# TWR-WIFI-G1011MI

## User's Manual

Rev. 1.0



## Contents

<b>1</b>	Overview .....	<b>3</b>
<b>2</b>	Reference Documents.....	<b>4</b>
<b>3</b>	Hardware Features.....	<b>4</b>
	3.1 GS1011MIP Module .....	4
	3.2 System Power.....	5
	3.3 Special I/O, access headers, etc.....	5
	3.4 Elevator Connections .....	6
<b>4</b>	Jumper Table .....	<b>8</b>

## Revision History

Revision	Date	Changes
1.0	Dec 2010	Initial Release

# 1 Overview

The GainSpan Wi-Fi Tower Module (TWR-WIFI-G1011MI) is a low-cost evaluation, demonstration and development board that features an 802.11b solution from GainSpan. The following list summarizes the features of the TWR-WIFI-G1011MI:

- GainSpan GS1011MIP Wi-Fi module
  - Compliant to 802.11b and operates with standard 802.11 b/g/n access points at speeds up to 11 Mbps
    - Supports Infrastructure or Adhoc mode
  - UART and SPI interfaces
    - Up to 3 MHz in SPI Slave Mode
    - Up to 921.6 kbps baud rate on UART
  - Full Wi-Fi stack including WPS and optional networking stack and services
  - 802.11i Security
    - WEP, WPA, WPA2-PSK, Enterprise
  - Embedded Web Server for Provisioning
  - Certified RF Module: FCC/IC, ETSI, RoHS, Compliant with JAPAN regulatory

A block diagram for the TWR-WIFI-G1011MI is shown in the figure below.

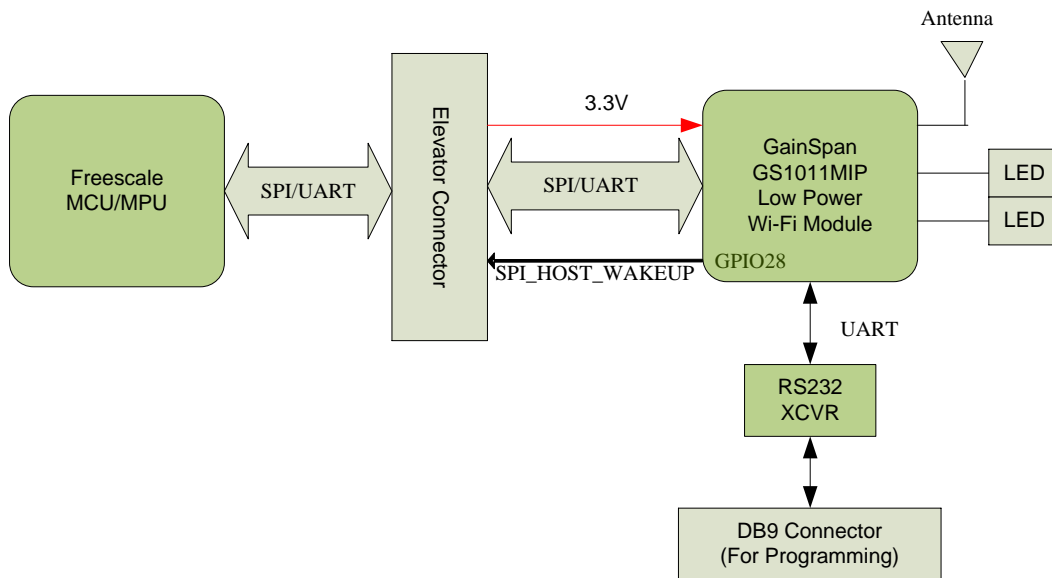


Figure 1. TWR-WIFI-G1011MI Block Diagram

---

## 2 Reference Documents

---

The documents listed below should be referenced for more information on the Freescale Tower system and the TWR-WIFI-G1011MI. Refer to <http://www.freesale.com/tower> for the latest revision of all Tower documentation.

- *TWR-WIFI-G1011MI Quick Start Guide*
- *TWR-WIFI-G1011MI Lab Tutorial*
- *TWR-WIFI-G1011MI Schematics*
- *GainSpan IP to Wi-Fi Adapter Guide*
- *GainSpan TWR Wi-Fi Driver Guide*

For technical documents on the GainSpan Wi-Fi module refer to <http://www.gainspan.com>

---

## 3 Hardware Features

---

This section provides more details about the features and functionality of the TWR-WIFI-G1011MI.

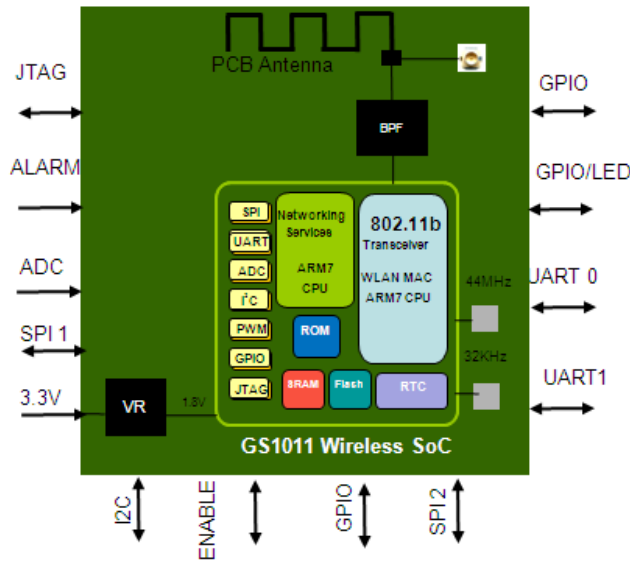
### 3.1 GS1011MIP Module

GS1011MIP module is a highly integrated ultra low power Wi-Fi module that contains the following:

- GainSpan's GS1011 Wireless SoC, which contains media access controller (MAC), baseband processor, on-chip flash memory and SRAM, and a network processor in a single package.
- Built in certified PCB trace antenna or external Antenna Options and onboard 32 KHz & 44 MHz crystal circuitries.
  - The GS1011MIP has a capability of +8 dBm (typical) output power at the antenna
- Module includes a variety of I/O interfaces:
  - Two UART with optional hardware flow control support
  - Two SPI block with Master or Slave Operation
  - I<sup>2</sup>C with Master or slave operation
  - Two low-power 10-bit ADC capable of running at up to 32 Ksamples/Sec.
  - GPIO's, and LED Drivers/GPIO with 20mA capabilities, JTAG

The Module carries onboard single supply monitor for under voltage supply and onboard 1.8V regulator with enable/disable capabilities for power critical applications. For additional details refer to the GS1011M data sheet available from GainSpan. Below is a high level block diagram of the GS1011MIP module. Other pin-compatible variations of the module are also available. Please refer to the GainSpan GS1011M Module datasheet.

GS1011M Block Diagram



The TWR-WIFI-G1011MI module connects to the Freescale Tower platform using the SPI or UART interface and uses the TCP/IP stack of the Freescale MQX system. The module firmware supports basic AT command set and the MQX driver for the GS1011MIP communicate using these AT command sets. By default the SPI interface is used.

### 3.2 System Power

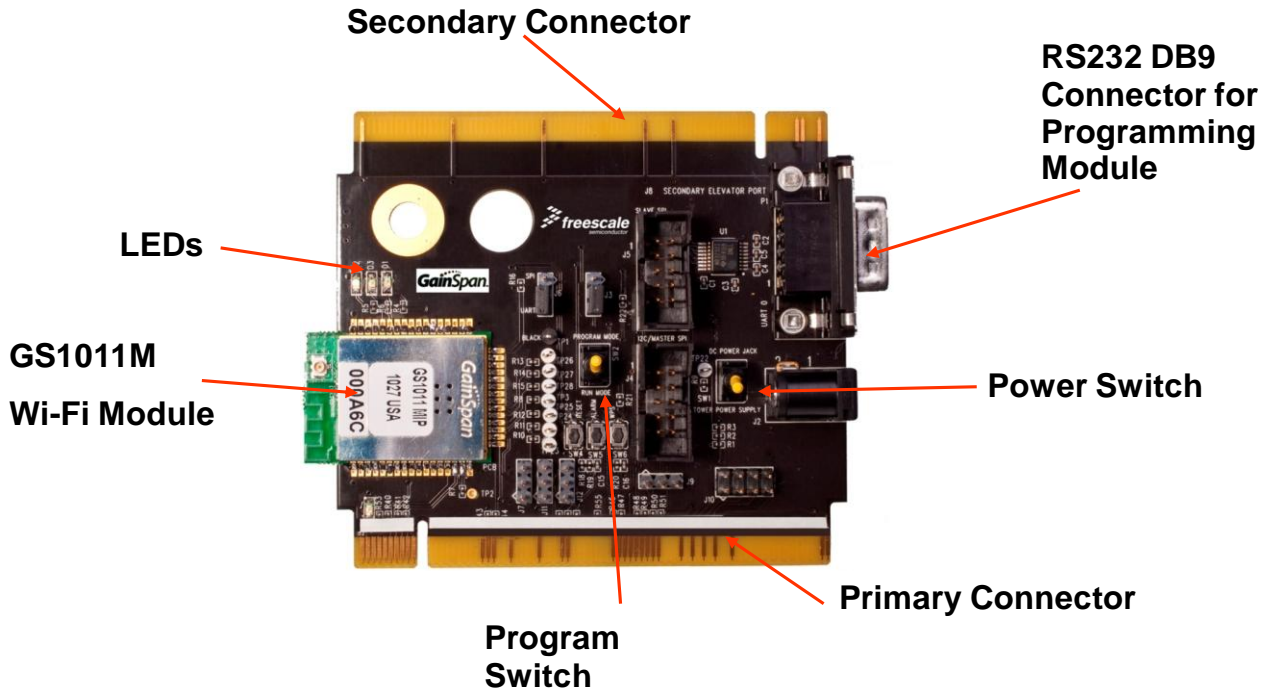
The TWR-WiFi-G1011MI is powered by 3.3V from the Primary Elevator connector.

### 3.3 Special I/O, access headers, etc.

The firmware on the GainSpan GS1011MIP runs directly from the on-board flash on the GS1011 SoC. To allow for updating of the program on the flash, the TWR-WIFI-G1011MI incorporates a UART serial interface for programming purposes. This interface is brought out to a standard RS232 DB9 connector via a RS232 transceiver. There are 3 buttons on the board which are currently reserved for future use. The TWR-WiFi-G1011MI also has LED's connected to the module. These LED's are connected to GPIO pins of the module and can be toggled using the serial AT commands to indicate activity. Table below indicates the connection and functionality of the LEDs.

	ELEVATOR Connection	GS1011MIP Connection	Description
D1	+3.3V	VIN_3V3	Indicates Active Power to Module
D2		GPIO30_LED1	LED indication via GPIO30 of GS1011MIP
D3		GPIO31_LED2	LED indication via GPIO31 of GS1011MIP
D4	+3.3V		Indicates Active Power on Tower System

For further details refer to the TWR-WIFI-G1011MI schematics.



### 3.4 Elevator Connections

The TWR-WIFI-G1011MI features two expansion card-edge connectors that interface to Elevator boards in a Tower system: the Primary and Secondary Elevator connectors. The Primary Elevator connector, comprised of sides A and B, is utilized by the TWR-WIFI-G1011MI, while the Secondary Elevator connector only makes connections to ground (GND). Table 1 provides the pinout for the Primary Elevator Connector. An “X” in the “Used” column indicates that there is a connection from the TWR-WIFI-G1011MI to that pin on the Elevator connector. An “X” in the “Jmp” column indicates that a jumper is available that can configure or isolate the connection from the Elevator connector.

Table 1. TWR-WIFI-G1011MI Primary Elevator Connector Pin-out

TWR-WIFI-G1011MI Primary Connector									
Side B					Side A				
Pin #	Name	Usage	Used	Jmp	Pin #	Name	Usage	Used	Jmp
B1	5V				A1	5V			
B2	GND	Ground	X		A2	GND	Ground	X	
B3	3.3V	3.3V Power	X		A3	3.3V	3.3V Power	X	
B4	ELE_PS_SENSE				A4	3.3V	3.3V Power	X	
B5	GND	Ground	X		A5	GND	Ground	X	
B6	GND	Ground	X		A6	GND	Ground	X	
B7	SPI1_CLK / SDHC1_CLK	MSPI_CLK			A7	SCL0			
B8	SPI1_CS1 / SDHC1_CS1	MSPI_CSx			A8	SDA0			
B9	SPI1_CS0 / SDHC1_CS0	MSPI_CSx			A9	GPIO9 / CTS1	EXT_RESET	X	X
B10	SPI1_MOSI / SDHC1_CMD	MSPI_DIN			A10	GPIO8 / SDHC_D2			
B11	SPI1_MISO / SDHC1_D0	MSPI_DOUT			A11	GPIO7 / SD_WP_DET			
Mechanical Key									
B12	ETH_COL				A12	ETH_CRS			

B13	ETH_RXER				A13	ETH_MDC			
B14	ETH_TXCLK				A14	ETH_MDIO			
B15	ETH_TXEN				A15	ETH_RXCLK			
B16	ETH_TXER				A16	ETH_RXDV			
B17	ETH_TXD3				A17	ETH_RXD3			
B18	ETH_TXD2				A18	ETH_RXD2			
B19	ETH_TXD1				A19	ETH_RXD1			
B20	ETH_TXD0				A20	ETH_RXD0			
ipB21	GPIO1	GPIO_RST	X	X	A21	SSI_MCLK			
B22	GPIO2	GPIO29			A22	SSI_BCLK			
B23	GPIO3	GPIO19			A23	SSI_FS			
B24	CLKIN0				A24	SSI_RXD			
B25	CLKOUT1				A25	SSI_TXD			
B26	<b>GND</b>	<b>Ground</b>	<b>X</b>		A26	<b>GND</b>	<b>Ground</b>	<b>X</b>	
B27	AN7				A27	AN3			
B28	AN6				A28	AN2			
B29	AN5				A29	AN1			
B30	AN4				A30	AN0			
B31	<b>GND</b>	<b>Ground</b>	<b>X</b>		A31	<b>GND</b>	<b>Ground</b>	<b>X</b>	
B32	DAC1				A32	DAC0			
B33	TMR3				A33	TMR1			
B34	TMR2				A34	TMR0			
B35	GPIO4	DC_DC_CNTL			A35	GPIO6	ALARM2		
B36	<b>3.3V</b>	<b>3.3V Power</b>	<b>X</b>		A36	<b>3.3V</b>	<b>3.3V Power</b>	<b>X</b>	
B37	PWM7				A37	PWM3			
B38	PWM6				A38	PWM2			
B39	PWM5				A39	PWM1			
B40	PWM4				A40	PWM0			
B41	CANRX				A41	RXD0	UART0_TX	<b>X</b>	
B42	CANTX				A42	TXD0	TWR_UART0	<b>X</b>	<b>X</b>
B43	1WIRE				A43	RXD1			
B44	SPI0_MISO	SSPI_DOUT	<b>X</b>		A44	TXD1			
B45	SPI0_MOSI	SSPI_DIN	<b>X</b>		A45	GPIO			
B46	SPI0_CS0	SSPI_CS	<b>X</b>	<b>X</b>	A46	GPIO			
B47	SPI0_CS1	SSPI_CS	<b>X</b>	<b>X</b>	A47	GPIO			
B48	SPI0_CLK	SSPI_CLK	<b>X</b>		A48	GPIO			
B49	<b>GND</b>	<b>Ground</b>	<b>X</b>		A49	<b>GND</b>	<b>Ground</b>	<b>X</b>	
B50	SCL1	I2C_CLK			A50	GPIO			
B51	SDA1	I2C_DATA			A51	GPIO			
B52	GPIO5	ALARM1	<b>X</b>		A52	GPIO			
B53	USB_DP_PDOWN				A53	GPIO			
B54	USB_DM_PDOWN				A54	USB_DM			
B55	IRQ_H				A55	USB_DP			
B56	IRQ_G	GPIO28	<b>X</b>	<b>X</b>	A56	USB_ID			
B57	IRQ_F				A57	USB_VBUS			
B58	IRQ_E	GPIO28	<b>X</b>	<b>X</b>	A58	TMR7			
B59	IRQ_D				A59	TMR6			
B60	IRQ_C	GPIO28	<b>X</b>	<b>X</b>	A60	TMR5			
B61	IRQ_B				A61	TMR4			
B62	IRQ_A	GPIO28	<b>X</b>	<b>X</b>	A62	RSTIN_b			

B63	FB_ALE/FB_CS1_b				A63	RSTOUT_b	EXT_RESET	X	X
B64	FB_CS0_b				A64	CLKOUT0			
B65	<b>GND</b>	<b>Ground</b>	<b>X</b>		A65	<b>GND</b>	<b>Ground</b>	<b>X</b>	
B66	FB_AD15				A66	FB_AD14			
B67	FB_AD16				A67	FB_AD13			
B68	FB_AD17				A68	FB_AD12			
B69	FB_AD18				A69	FB_AD11			
B70	FB_AD19				A70	FB_AD10			
B71	FB_R/W_b				A71	FB_AD9			
B72	FB_OE_b				A72	FB_AD8			
B73	FB_D7				A73	FB_AD7			
B74	FB_D6				A74	FB_AD6			
B75	FB_D5				A75	FB_AD5			
B76	FB_D4				A76	FB_AD4			
B77	FB_D3				A77	FB_AD3			
B78	FB_D2				A78	FB_AD2			
B79	FB_D1				A79	FB_AD1			
B80	FB_D0				A80	FB_AD0			
B81	<b>GND</b>	<b>Ground</b>	<b>X</b>		A81	<b>GND</b>	<b>Ground</b>	<b>X</b>	
B82	<b>3.3V</b>	<b>3.3V Power</b>	<b>X</b>		A82	<b>3.3V</b>	<b>3.3V Power</b>	<b>X</b>	

## 4 Jumper Table

There are several jumpers provided for isolation, configuration, and feature selection. Refer to the following table for details. The default installed jumper settings are shown in **bold**.

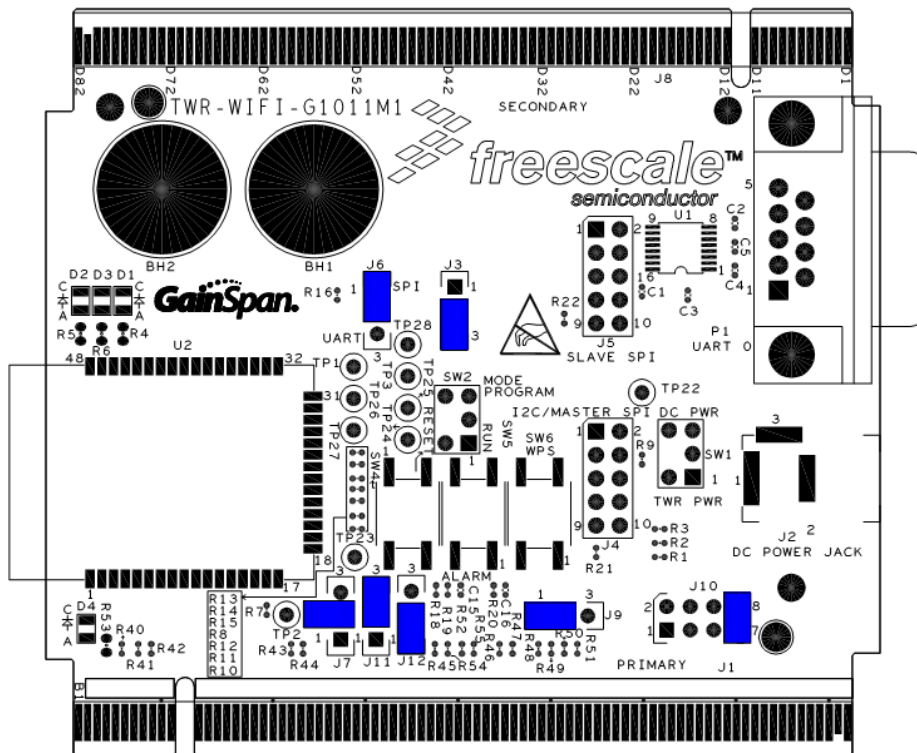


Table 2. TWR-WIFI-G1011MI Jumper Table



Jumper	Option	Setting	Description
SW1	Power Supply Input	<b>TOWER</b>	Power from Tower System 3.3V
		DC POWER JACK	Power from DC power jack (J2)
SW2	Mode Selection	<b>RUN</b>	GS1011MI in standard "run" mode
		PROGRAM	GS1011MI in program mode
J3	UART Routing Selection	<b>1-2</b>	Connect GS1011MI UART0 to on-board RS232/DB9
		<b>2-3</b>	Connect GS1011MI UART0 to Tower System
J6	Serial Interface Selection	<b>1-2</b>	Enable SPI interface from Tower to GS1011MI
		<b>2-3</b>	Enable UART interface from Tower to GS1011MI
J7	Master SPI Port CS Selection	<b>1-2</b>	Connect Tower SPI1_CS1 to master SPI CS on GS1011MI
		<b>3-4</b>	Connect Tower SPI1_CS0 to master SPI CS on GS1011MI
J9	Slave SPI Port CS Selection	<b>1-2</b>	Connect Tower SPI0_CS0 to slave SPI CS on GS1011MI
		<b>3-4</b>	Connect Tower SPI0_CS1 to slave SPI CS on GS1011MI
J10	Interrupt Selection	<b>1-2</b>	Connect GS1011MI interrupt to Tower IRQ_G (B56)
		<b>3-4</b>	Connect GS1011MI interrupt to Tower IRQ_E (B58)
		<b>5-6</b>	Connect GS1011MI interrupt to Tower IRQ_C (B60)
		<b>7-8</b>	Connect GS1011MI interrupt to Tower IRQ_A (B62)
J11	GS1011MI Reset Selection	<b>1-2</b>	Connect GS1011MI Reset to Tower GPIO9 (A9)
		<b>2-3</b>	No connection
J12	GS1011MI Reset Selection	<b>1-2</b>	Connect GS1011MI Reset to Tower RSTOUT (A63)
		<b>2-3</b>	Connect GS1011MI Reset to Tower GPIO1 (B21)

## X-ON Electronics

Largest Supplier of Electrical and Electronic Components

*Click to view similar products for [WiFi Development Tools - 802.11 category](#):*

*Click to view products by [NXP manufacturer](#):*

Other Similar products are found below :

[YSAEWIFI-1](#) [SKY65981-11EK1](#) [QPF7221PCK-01](#) [SIMSA915C-Cloud-DKL](#) [SIMSA433C-Cloud-DKL](#) [ISM43903-R48-EVB-E](#)  
[QPF4206BEVB01](#) [RN-G2SDK](#) [SKY85734-11EK1](#) [SKY85735-11EK1](#) [ENW49D01AZKF](#) [ESP-LAUNCHER](#) [MIKROE-2336](#)  
[EVAL\\_PAN1760EMK](#) [3210](#) [EVAL\\_PAN1026EMK](#) [ATWINC1500-XPRO](#) [2471](#) [DM990001](#) [WRL-13711](#) [2999](#) [ATWILC3000-SHLD](#)  
[DFR0321](#) [TEL0118](#) [3213](#) [DFR0489](#) [SLWSTK-COEXBP](#) [WRL-13804](#) [DEV-13907](#) [UP-3GHAT-A20-0001](#) [3405](#) [TEL0078](#) [2680](#) [2702](#)  
[2821](#) [3044](#) [3606](#) [3653](#) [3654](#) [4000](#) [4172](#) [4178](#) [4201](#) [4264](#) [4285](#) [CS-ANAVI-25](#) [CS-ANAVI-26](#) [CS-ANAVI-23](#) [CS-ANAVI-24](#) [CS-ANAVI-28](#)