

Technical data sheet

Junction box A 11

Art.-Nr. 2000342



Protection rating IP55, nominal voltage 400 V, nominal cross-section 2,5 mm², 12 entries for cable diameter 5–14 mm.

Clamshell.

Dimensions: 85 x 85 x 40 mm

Clear internal dimensions: 75x75x35 mm

1 cut-out tool for every 10 boxes

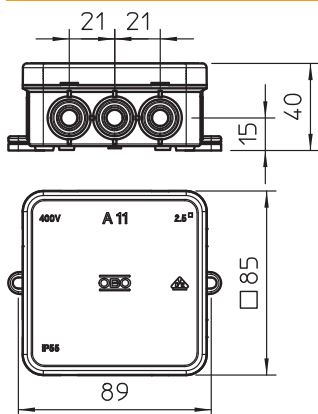


PE Polyethylene

Master data

| | |
|---------------------|------------------------|
| Item No. | 2000342 |
| Type | A 11 |
| Description 1 | Junction box |
| Description 2 | without terminal strip |
| Dimension | 85x85x40 |
| Colour | Light grey |
| RAL number | 7.035,00 |
| Material | Polyethylene |
| Material symbol | PE |
| Smallest sales unit | 10,00 pcs |
| Weight | 6,20 kg/100 pcs. |

Technical specifications



| | |
|--------------------------------|---|
| Length | 85,00 mm |
| Width | 85,00 mm |
| Height | 40,00 mm |
| Clear internal dimensions | 75x75x35 mm |
| Dimension LxWxH | 85x85x40 mm |
| Dimension | 85 x 85 x 40 mm |
| Expandable | <input checked="" type="checkbox"/> |
| No. of entries | 12,00 |
| Type of entry | Cable |
| Type of entry | Cable |
| Type of housing penetration | Pre-marking |
| Measured insulation voltage Vi | 400,00 V |
| Equipment | Without |
| Cover | Not transparent |
| Cover fastening | Locking |
| Entries | 12 entries for cable diameter 5–14 mm |
| Entry from rear | <input checked="" type="checkbox"/> |
| Explosion-tested version | <input checked="" type="checkbox"/> |
| Flame resistant | flame resistant to VDE 0471/DIN 695 Part 2-1, test temperature 650° C |
| Shape | Square |
| Function maintenance (ETIM) | Without |
| For Ex zone | Without |

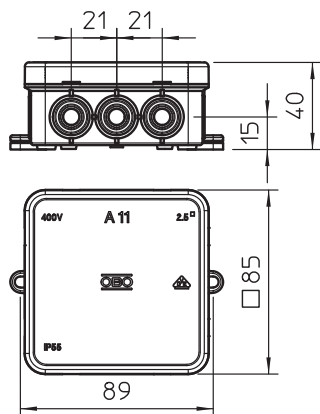
Technical data sheet

Junction box A 11

Art.-Nr. 2000342



Technical specifications



| | |
|------------------------------------|-------------------------------------|
| For Ex zone gas | Without |
| For Ex zone dust | Without |
| Halogen-free | <input checked="" type="checkbox"/> |
| Max. conductor cross-section | 2,50 mm ² |
| With screening | <input checked="" type="checkbox"/> |
| With cover | <input checked="" type="checkbox"/> |
| Installation type | Wall/ceiling mounting |
| Mounting type | Wall/ceiling mounting |
| Nominal cross section | 2,50 mm ² |
| Nominal voltage | 400,00 V |
| Protection rating | IP55 |
| Sealable | <input checked="" type="checkbox"/> |
| max. permitted ambient temperature | -5,00 - 45,00 °C |
| Transparent lid | <input checked="" type="checkbox"/> |
| Weatherproof | <input checked="" type="checkbox"/> |

X-ON Electronics

Largest Supplier of Electrical and Electronic Components

Click to view similar products for [Electrical Enclosures](#) category:

Click to view products by [OBO BETTERMANN](#) manufacturer:

Other Similar products are found below :

[120-902](#) [120-905](#) [120-403](#) [120-475](#) [120-901](#) [127-410](#) [130-007](#) [130-504](#) [130-506](#) [MR-25L+](#) [30-8739](#) [PIP-11774SCREW](#) [30-9715](#) [MR-25LW+](#) [110-407](#) [111-004](#) [111-008](#) [110-402](#) [110-901](#) [110-907](#) [111-002](#) [110-406](#) [110-910](#) [110-404](#) [110-409](#) [110-410](#) [120-405](#) [106-009](#) [106-505](#) [105-401](#) [106-006](#) [104-406](#) [137-002](#) [105-405](#) [111-005](#) [127-909](#) [106-502](#) [130-475](#) [130-503](#) [127-401](#) [106-010](#) [127-455](#) [127-475](#) [110-903](#) [R260-180-300](#) [9511020](#) [9822029](#) [9820014](#) [P61603000P](#) [9823009](#)