

Technical data sheet

Junction box A 14

Art.-Nr. 2000378



Protection rating IP55, nominal voltage 400 V, nominal cross-section 2,5 mm², 8 entries for cable diameter 5–14 mm
 8 entries for cable diameter 5–11 mm.
 Clamshell.
 Dimensions: 100 x 100 x 40 mm
 Clear internal dimensions: 90x90x35 mm
 1 cut-out tool for every 10 boxes

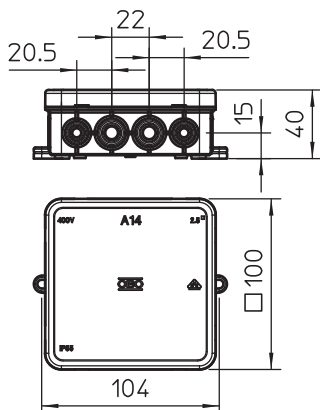


PE Polyethylene

Master data

Item No.	2000378
Type	A 14
Description 1	Junction box
Dimension	100x100x38
Colour	Light grey
RAL number	7.035,00
Material	Polyethylene
Material symbol	PE
Smallest sales unit	10,00 pcs
Weight	5,86 kg/100 pcs.

Technical specifications



Length	100,00 mm
Width	100,00 mm
Height	40,00 mm
Clear internal dimensions	90x90x35 mm
Dimension LxWxH	100x100x40 mm
Dimension	100 x 100 x 40 mm
Expandable	<input checked="" type="checkbox"/>
No. of entries	14,00
Type of entry	Cable
Type of entry	Cable
Type of housing penetration	Pre-marking
Measured insulation voltage V _i	400,00 V
Equipment	Without
Cover	Not transparent
Cover fastening	Locking
Entries	8 entries for cable diameter 5–14 mm 8 entries for cable diameter 5–11 mm
Entry from rear	<input checked="" type="checkbox"/>
Explosion-tested version	<input checked="" type="checkbox"/>
Flame resistant	flame resistant to VDE 0471/DIN 695 Part 2-1, test temperature 650° C
Shape	Square
Function maintenance (ETIM)	Without
For Ex zone	Without

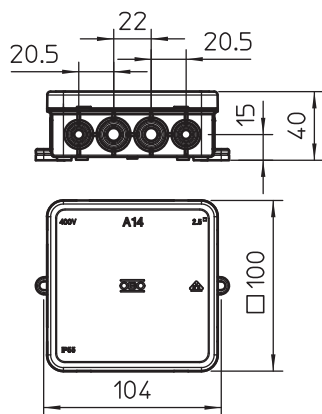
Technical data sheet

Junction box A 14

Art.-Nr. 2000378



Technical specifications



For Ex zone gas	Without
For Ex zone dust	Without
Halogen-free	<input checked="" type="checkbox"/>
Max. conductor cross-section	2,50 mm ²
With screening	<input checked="" type="checkbox"/>
With cover	<input checked="" type="checkbox"/>
Installation type	Wall/ceiling mounting
Mounting type	Wall/ceiling mounting
Nominal cross section	2,50 mm ²
Nominal voltage	400,00 V
Protection rating	IP55
Sealable	<input checked="" type="checkbox"/>
max. permitted ambient temperature	-5,00 - 45,00 °C
Transparent lid	<input checked="" type="checkbox"/>
Weatherproof	<input checked="" type="checkbox"/>

X-ON Electronics

Largest Supplier of Electrical and Electronic Components

Click to view similar products for [Electrical Enclosures](#) category:

Click to view products by [OBO BETTERMANN](#) manufacturer:

Other Similar products are found below :

[120-902](#) [120-905](#) [120-403](#) [120-475](#) [120-901](#) [127-410](#) [130-007](#) [130-504](#) [130-506](#) [MR-25L+](#) [30-8739](#) [PIP-11774SCREW](#) [30-9715](#) [MR-25LW+](#) [110-407](#) [111-004](#) [111-008](#) [110-402](#) [110-901](#) [110-907](#) [111-002](#) [110-406](#) [110-910](#) [110-404](#) [110-409](#) [110-410](#) [120-405](#) [106-009](#) [106-505](#) [105-401](#) [106-006](#) [104-406](#) [137-002](#) [105-405](#) [111-005](#) [127-909](#) [106-502](#) [130-475](#) [130-503](#) [127-401](#) [106-010](#) [127-455](#) [127-475](#) [110-903](#) [R260-180-300](#) [9511020](#) [9822029](#) [9820014](#) [P61603000P](#) [9823009](#)