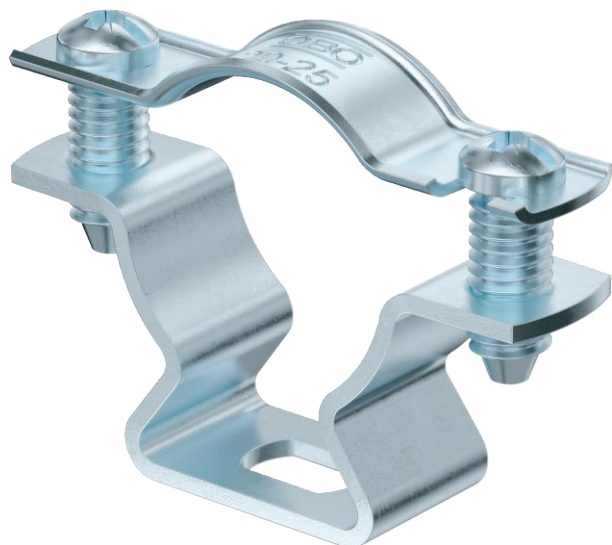


# Technical data sheet

## Spacer clip 733

Item no. 1362768



Spacer clip for the installation of pipes and cables on walls, ceiling and floors. With self-locking upper part. Fastening via slot From the clip size of 20 suitable for the installation with a nail device or bolt-firing device.

Approved for the maintenance of electrical function to DIN 4102 Part 12, function maintenance classes E30 to E90 (except ALU)



St	Steel
G	Electrogalvanised

### Master data

Item no.	1362768
Type	ASL 733 25 G
Description 1	Distance saddle
Description 2	with slot
Dimension	20-25mm
Material	Steel
Material symbol	St
Surface	Electrogalvanised
Surface to DIN	DIN EN 12329
Surface symbol	G
Smallest sales unit (VG)	25,00 Piece
Weight	2,42 kg/100 pc.

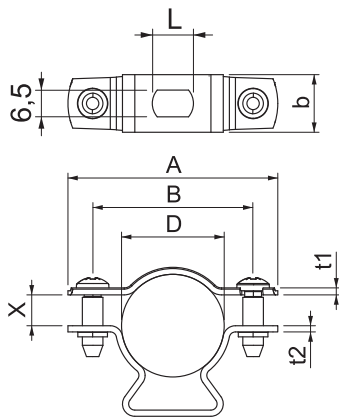
# Technical data sheet

## Spacer clip 733

Item no. 1362768



### Technical data



Dimension A	51,00 mm
Dimension B	39,00 mm
Dimension b	14,00 mm
Dimension D	20,00 - 25,00 mm
Dimension D	25,00 mm
Dimension L	10,00 mm
Dimension t1	1,00 mm
Dimension t2	1,50 mm
Dimension x	7,50 mm
Distance to the wall	<input checked="" type="checkbox"/>
Number of cables/pipes	1,00
Version	Closed
Fastening type	Screw hole
Suitable in fire protection area	<input checked="" type="checkbox"/>
Halogen-free	<input checked="" type="checkbox"/>
Plastic coated	<input type="checkbox"/>
Clamping range D	20,00 - 25,00 mm
UV-resistant	<input checked="" type="checkbox"/>

## X-ON Electronics

Largest Supplier of Electrical and Electronic Components

*Click to view similar products for [Cable Mounting & Accessories](#) category:*

*Click to view products by [OBO BETTERMANN](#) manufacturer:*

Other Similar products are found below :

[582603-1](#) [009333-000](#) [727844N003](#) [747](#) [809090N001](#) [843188-000](#) [8666](#) [967279N002](#) [DB-11](#) [1300840039](#) [1300900096](#) [1301800416](#)  
[1302264450](#) [1300830184](#) [1300830729](#) [1300900039](#) [1301580036](#) [1301850553](#) [1301860939](#) [1302000074](#) [1302261315](#) [1302264431](#)  
[1337706-2](#) [APA18-AK](#) [1724](#) [1-787307-1](#) [185491N001](#) [1868](#) [HP-6N](#) [C-202-C](#) [202C221-13-0](#) [CA7308-000](#) [8S23-75FR-CS8184](#) [2684](#) [9648](#)  
[3089](#) [988382-000](#) [A72821-000](#) [AA401](#) [173506-000](#) [1823](#) [202C292-13-0](#) [202C302-13-0](#) [2109](#) [300625](#) [3330](#) [3412](#) [356247-1](#) [M9142](#)  
[M9143](#)