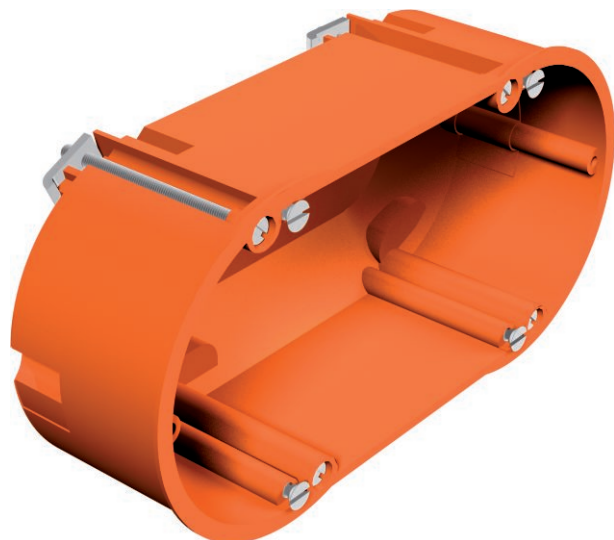


Technical data sheet

Cavity wall, double accessory socket

Art.-Nr. 2003422



Double device socket, for two service units or one double service unit, with four device screws. Dimensions to DIN 49073-1, for plate thickness 7–35 mm. Standard combination spacing 71 mm, 14 break-out openings for NYM cables, data cables and pipes Ø 20 mm, IP30 protection rating.



PP Polypropylene

Additional product text 2 | According to IEC 61670-1, IEC 61670-22 and DIN 49073-1.

Master data

Item no.	2003422
Type	HG 60 2
Description 1	Double appliance plug
Description 2	cavity wall
Dimension	138x68x50
Colour	Orange
Material	Polypropylene
Material symbol	PP
Smallest sales unit	10,00 Piece
Weight	4,85 kg/100 pc.

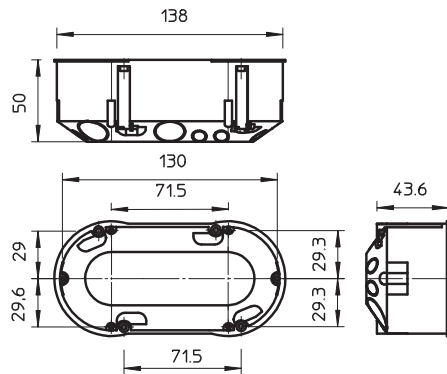
Technical data sheet

Cavity wall, double accessory socket

Art.-Nr. 2003422



Technical data



Width	68,00 mm
Height	50,00 mm
Length	138,00 mm
Diameter	68,00 mm
Closable	<input type="checkbox"/>
No. of entries	14,00
Entries	14
Number of switch boxes	2,00
Type of entry	break-out openings for NYM cables, data cables and pipes Ø 20 mm
Type of housing penetration	Pre-marking
Version for	Double
Shape	Device socket
Device fixing	Screw
Equipment	Without
Cover	Without
Cover fastening	Not applicable
Entry from rear	<input checked="" type="checkbox"/>
Milling hole diameter	68,00 mm
Flame resistant	Flame resistant to VDE 0471/DIN 695 Part 2-1, test temperature 850 °C
Shape	Oval
For pipe diameter	20 mm
Function maintenance (ETIM)	Without
Floor height	50 mm
Suitable for board thickness	7,00 - 35,00 mm
Accessory screw clearance	60,00 mm
Halogen-free	<input checked="" type="checkbox"/>
Max. conductor cross-section	2,50 mm ²
With screening	<input type="checkbox"/>
With nail strap	<input type="checkbox"/>
With bolts	<input checked="" type="checkbox"/>
Mounting type	Cavity wall
Nominal cross section	1,50 - 2,50 mm ²
Nominal voltage	400,00 V
Sealable	<input type="checkbox"/>
Impact-resistant	<input type="checkbox"/>
Protection rating	IP30
Support	Without
Wind-tight	<input type="checkbox"/>

X-ON Electronics

Largest Supplier of Electrical and Electronic Components

Click to view similar products for [Electrical Enclosures](#) category:

Click to view products by [OBO BETTERMANN](#) manufacturer:

Other Similar products are found below :

[1201110001](#) [120-401](#) [120-905](#) [120-909](#) [120-403](#) [130-004](#) [MR-25L+](#) [30-8739](#) [PIP-11774SCREW](#) [30-9715](#) [30-9777-BU](#) [110-902](#) [110-901](#)
[A16N12BLP](#) [110-406](#) [110-401](#) [110-404](#) [120-405](#) [34861601](#) [106-009](#) [106-505](#) [105-405](#) [111-005](#) [127-909](#) [106-502](#) [130-475](#) [130-503](#) [127-](#)
[455](#) [9511150](#) [9511017](#) [9820011](#) [NSYTDB5PL](#) [137-455](#) [130-001](#) [105-904](#) [120-404](#) [137-005](#) [130-505](#) [127-406](#) [AB 1,5.0](#) [AB2.0](#) [ABM.0](#)
[73345601](#) [F-MP](#) [H-MP](#) [M-MP](#) [PAT 12040](#) [2461000](#) [9121230](#) [79541301](#)