

Technical data sheet

Cavity wall connection box

Art.-Nr. 2003449



Cavity wall connection box, 20 break-out openings for NYM cables, data cables and pipes \varnothing 20 mm, with cover and cover screws, with white cover and cover screws (flame-resistant to VDE 0471/DIN 695 Part 2-1, testing temperature 750 °C), for plate thickness 7-35 mm. Suitable for installation of standard rails (hat and support rails) for series terminals, protection rating IP30.



PP Polypropylene

Additional product text 2 According to IEC 61670-1, IEC 61670-22 and DIN 49073-1.

Master data

Item no.	2003449
Type	HV 100 KD
Description 1	Hollow wall, connection box
Description 2	cavity wall
Dimension	105x105x50
Colour	Orange
Material	Polypropylene
Material symbol	PP
Smallest sales unit	25,00 Piece
Weight	6,30 kg/100 pc.

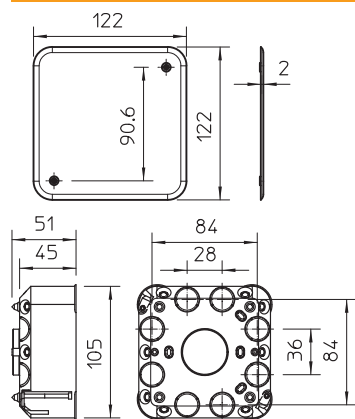
Technical data sheet

Cavity wall connection box

Art.-Nr. 2003449



Technical data



Width	105,00 mm
Height	50,00 mm
Length	105,00 mm
Closable	<input type="checkbox"/>
No. of entries	20,00
Entries	20
Type of entry	break-out openings for NYM cables, data cables and pipes Ø 20 mm
Type of housing penetration	Pre-marking
Version for	Single
Shape	Connection socket/box
Equipment	Without
Cover	Not transparent
Cover fastening	Screwed
Entry from rear	<input checked="" type="checkbox"/>
Flame resistant	Flame resistant to VDE 0471/DIN 695 Part 2-1, test temperature 850 °C
Shape	Square
For pipe diameter	20 mm
Function maintenance (ETIM)	Without
Floor height	50 mm
Suitable for board thickness	7,00 - 35,00 mm
Halogen-free	<input checked="" type="checkbox"/>
Max. conductor cross-section	4,00 mm ²
With screening	<input type="checkbox"/>
With nail strap	<input type="checkbox"/>
With bolts	<input checked="" type="checkbox"/>
Mounting type	Cavity wall
Nominal cross section	2,50 - 4,00 mm ²
Nominal voltage	400,00 V
Sealable	<input type="checkbox"/>
Impact-resistant	<input type="checkbox"/>
Protection rating	IP30
Support	Without
Wind-tight	<input type="checkbox"/>

X-ON Electronics

Largest Supplier of Electrical and Electronic Components

Click to view similar products for [Electrical Enclosures](#) category:

Click to view products by [OBO BETTERMANN](#) manufacturer:

Other Similar products are found below :

[1201110001](#) [120-401](#) [120-905](#) [120-909](#) [120-403](#) [130-004](#) [MR-25L+](#) [30-8739](#) [PIP-11774SCREW](#) [30-9715](#) [30-9777-BU](#) [110-902](#) [110-901](#)
[A16N12BLP](#) [110-406](#) [110-401](#) [110-404](#) [120-405](#) [34861601](#) [106-009](#) [106-505](#) [105-405](#) [111-005](#) [127-909](#) [106-502](#) [130-475](#) [130-503](#) [127-](#)
[455](#) [9511150](#) [9511017](#) [9820011](#) [NSYTDB5PL](#) [137-455](#) [130-001](#) [105-904](#) [120-404](#) [137-005](#) [130-505](#) [127-406](#) [AB 1,5.0](#) [AB2.0](#) [ABM.0](#)
[73345601](#) [F-MP](#) [H-MP](#) [M-MP](#) [PAT 12040](#) [2461000](#) [9121230](#) [79541301](#)