

Technical data sheet

Nail anchor N with thread

Item no. 3498396



The nail anchor N can be used for multiple fastenings of non-load-bearing systems and in cracked and non-cracked concrete, thereby combining the benefits of a bolt tie with even easier mounting. The nail tie only needs to be hammered into the drill hole. It is not necessary to apply torque subsequently. When the load occurs, the nail tie spreads itself and bolts itself in the drill hole.



St	Steel
G	Electrogalvanised

Additional product text, instruction | European Technical Approval ETA-11/0240, including characteristic values under fire exposure to fire resistance R 120.

Master data

Item no.	3498396
Type	N 6-5-10/49
Description 1	Nail anchor N
Description 2	with thread M6
Dimension	6x49mm
Material	Steel
Material symbol	St
Surface	Electrogalvanised
Surface to DIN	DIN EN 12329
Surface symbol	G
Smallest sales unit (VG)	100,00 Piece
Weight	1,16 kg/100 pc.

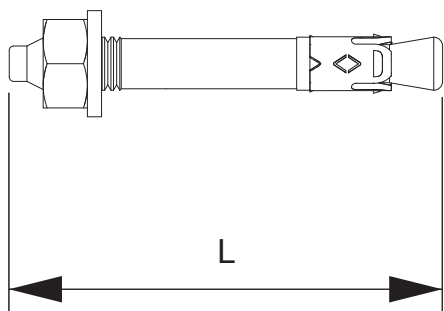
Technical data sheet

Nail anchor N with thread

Item no. 3498396



Technical data



Length	49,00 mm
Dimension L	49,00 mm
Version	Lightning strike
Fastening unit	Other
Drill hole depth	40,00 mm
Drill hole diameter	6,00 mm
Clamping range	5-10 mm
Thread	M6
Thread metric	6,00
Self-drilling	<input type="checkbox"/>
Approvals available	<input checked="" type="checkbox"/>

X-ON Electronics

Largest Supplier of Electrical and Electronic Components

Click to view similar products for [OBO BETTERMANN](#) manufacturer:

Other Similar products are found below :

[1015 10 G](#) [1015 11 G](#) [1015 12 G](#) [1015 13 G](#) [1015 14 G](#) [1015 15 G](#) [1015 16 G](#) [1015 17 G](#) [1015 20 G](#) [1015 28 G](#) [1015 5 G](#) [1015 6 G](#) [1015 7 G](#) [1015 8 G](#) [1015 9 G](#) [1015 D 10 G](#) [1015 D 12 G](#) [1015 D 5 G](#) [1015 D 6 G](#) [1015 D 7 G](#) [1015 D 8 G](#) [1015 D 9 G](#) [107 F M12 PE](#) [107 F M16 PE](#) [107 F M20 PE](#) [107 F M25 PE](#) [107 F M32 PE](#) [107 F M40 PE](#) [107 F M50 PE](#) [107 F M63 PE](#) [107 F PG16 PE](#) [107 F PG21 PE](#) [107 F PG36 PE](#) [107 F PG7 PE](#) [107 F PG9 PE](#) [107 R M20-16 PA](#) [107 R M25-20 PA](#) [107 R M32-25 PA](#) [107 R M40-25 PA](#) [107VS VM 12 PA](#) [107VS VM 16 PA](#) [107VS VM 20 PA](#) [108 M12 PS](#) [108 M16 PS](#) [108 M20 PS](#) [108 M25 PS](#) [108 M32 PS](#) [108 PG11](#) [108 PG13.5](#) [108 PG16](#)