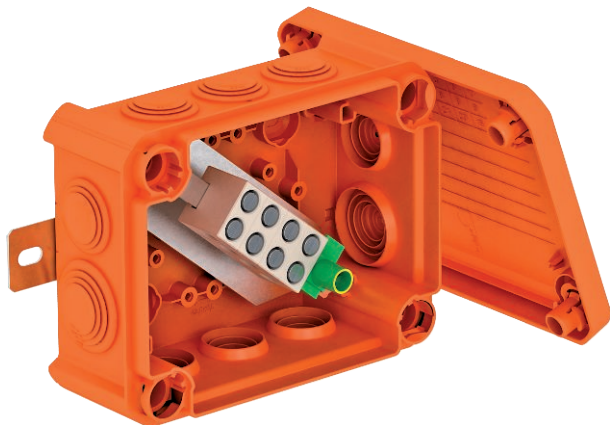


Technical data sheet

FireBox T100ED with external fastening

Item no. 7205543



Halogen-free junction box with pre-mounted, soft plug-in seals, approved for the maintenance of electrical functionality according to DIN 4102 Part 12. Maintenance of electrical functionality classes E30 to E90.

Colour: Pastel orange.

Fully mounted connection unit made of high temperature-resistant special ceramic and labelled protective conductor terminal. Supplied with 2 MMS 6x50 fire protection screw ties for anchorless fastening on the external straps.

Nominal cross-section of power cable: Max. 10 mm². Maximum of two 4 mm² rigid copper cables per terminal.

High protection rating IP66, impact resistance class IK08.

Details on the cable types and manufacturers can be found in the general construction test certificate of the material testing institute NRW, Erwitte.



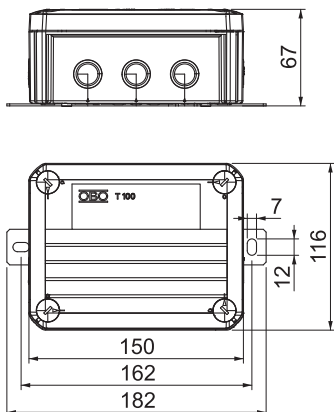
PP Polypropylene

Additional product text, instruction | Number of terminals including protective conductor terminal
Internal clearance: 136x102x57 mm

Master data

Item no.	7205543
Type	T 100 ED 10-5 A
Description 1	Junction box
Description 2	for function maintenance
Dimension	150x116x67
Colour	Pastel orange
RAL number	2003
Material	Polypropylene
Material symbol	PP
Smallest sales unit (VG)	1,00 Piece
Weight	40,60 kg/100 pc.

Technical data



Length	150,00 mm
Width	116,00 mm
Height	67,00 mm
Clear internal dimensions	136x102x57 mm
Dimension LxWxH	150x116x67 mm
Dimension	150x116x67 mm
Expandable	□
No. of entries	10,00
Number of terminals	5,00
Type of housing penetration	Cutttable stepped membrane
Measured insulation voltage Vi	690,00 V
Equipment	Terminal
Cover	Not transparent
Cover fastening	Screwed

Technical data sheet

FireBox T100ED with external fastening

Item no. 7205543



Technical data

Entry from rear	8x M25 2x M32
Explosion-tested version	<input type="checkbox"/>
Shape	<input type="checkbox"/>
Function maintenance (ETIM)	Rectangular
For Ex zone	E 90
For Ex zone gas	Without
For Ex zone dust	Without
Halogen-free	Without
	<input checked="" type="checkbox"/>
With screening with lid	<input type="checkbox"/>
With cover	Yes
Installation type	<input checked="" type="checkbox"/>
	Surface-mounted
Nominal cross section	
Nominal voltage	10,00 mm ²
Protection rating	660,00 V IP66
Sealable	
Impact-resistant	<input type="checkbox"/>
	<input type="checkbox"/>
Transparent lid	
	<input type="checkbox"/>
Weatherproof	

Technical data

X-ON Electronics

Largest Supplier of Electrical and Electronic Components

Click to view similar products for [Electrical Enclosures](#) category:

Click to view products by [OBO BETTERMANN](#) manufacturer:

Other Similar products are found below :

[1201110001](#) [120-401](#) [120-905](#) [120-909](#) [120-403](#) [130-004](#) [MR-25L+](#) [30-8739](#) [PIP-11774SCREW](#) [30-9715](#) [30-9777-BU](#) [110-902](#) [110-901](#)
[A16N12BLP](#) [110-406](#) [110-401](#) [110-404](#) [120-405](#) [34861601](#) [106-009](#) [106-505](#) [105-405](#) [111-005](#) [127-909](#) [106-502](#) [130-475](#) [130-503](#) [127-](#)
[455](#) [9511150](#) [9511017](#) [9820011](#) [NSYTDB5PL](#) [137-455](#) [130-001](#) [105-904](#) [120-404](#) [137-005](#) [130-505](#) [127-406](#) [AB 1,5.0](#) [AB2.0](#) [ABM.0](#)
[73345601](#) [F-MP](#) [H-MP](#) [M-MP](#) [PAT 12040](#) [2461000](#) [9121230](#) [79541301](#)