

# Technical data sheet

## Junction box T 100, closed

Art.-Nr. 2007255



The junction boxes are made of a thermoplastic polypropylene polymer with closed side walls. This means that the required openings can be made wherever they are required. EDK plug-in seals or cable glands with locknuts can be inserted in these openings, to allow cable insertion. The junction boxes can be mounted on mounting plates in the openings on the floor using steel screws 3,5 x 9,5. Clear internal dimensions: 136x102x57 mm. Cover with labelling panel and lead-sealed.



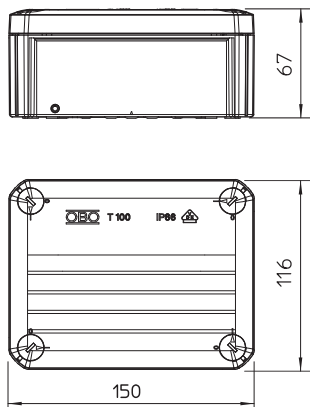
**PP** Polypropylene

Product additional text for information	Standard version: flame-resistant, testing temperature 650 °C.
Product additional text 2	Clear internal dimensions: 136x102x57 mm
Product additional text 3	Protection rating IK code; IK07.

### Master data

Item No.	2007255
Type	T 100 OE
Description 1	Junction box
Description 2	without insertion opening
Dimension	150x116x67
Colour	Light grey
RAL number	7.035,00
Material	Polypropylene
Material symbol	PP
Smallest sales unit	1,00 pcs
Weight	16,20 kg/100 pcs.

### Technical specifications



Length	150,00 mm
Width	116,00 mm
Height	67,00 mm
Clear internal dimensions	136x102x57 mm
Dimension LxWxH	150x116x67 mm
Dimension	150x116x67 mm
Expandable	<input checked="" type="checkbox"/>
Type of entry	Cable
Type of entry	None
Type of housing penetration	Without
Version	Closed
Measured insulation voltage Vi	500,00 V
Equipment	Without
Cover	Not transparent
Cover fastening	Screwed
Entries	None
Entry from rear	<input checked="" type="checkbox"/>
Explosion-tested version	<input checked="" type="checkbox"/>

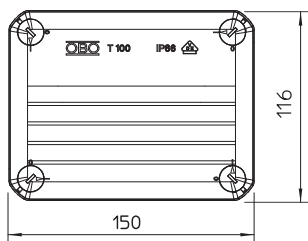
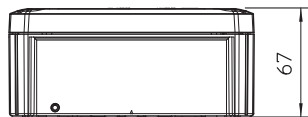
# Technical data sheet

## Junction box T 100, closed

Art.-Nr. 2007255



### Technical specifications



Flame resistant	flame resistant to VDE 0471/DIN 695 Part 2-1, test temperature 750° C
Shape	Rectangular
Function maintenance (ETIM)	Without
For Ex zone	Without
For Ex zone gas	Without
For Ex zone dust	Without
Glass-fibre reinforced	<input checked="" type="checkbox"/>
Halogen-free	<input checked="" type="checkbox"/>
With screening	<input checked="" type="checkbox"/>
with lid	Yes
With cover	<input checked="" type="checkbox"/>
Installation type	Wall/ceiling mounting
Mounting type	Wall/ceiling mounting
Nominal cross section	10,00 mm <sup>2</sup>
Nominal voltage	500,00 V
Protection rating	IP66
Protection rating	IP66
Protection rating IK code	IK07.
Sealable	<input checked="" type="checkbox"/>
max. permitted ambient temperature	-5,00 - 60,00 °C
Transparent lid	<input checked="" type="checkbox"/>
Weatherproof	<input checked="" type="checkbox"/>

## X-ON Electronics

Largest Supplier of Electrical and Electronic Components

*Click to view similar products for [Electrical Enclosures](#) category:*

*Click to view products by [OBO BETTERMANN](#) manufacturer:*

Other Similar products are found below :

[120-902](#) [120-905](#) [120-403](#) [120-475](#) [120-901](#) [127-410](#) [130-504](#) [130-506](#) [MR-25L+](#) [30-8739](#) [PIP-11774SCREW](#) [30-9715](#) [MR-25LW+](#) [110-407](#) [111-004](#) [111-008](#) [110-402](#) [110-901](#) [110-907](#) [111-002](#) [110-406](#) [110-910](#) [110-404](#) [110-409](#) [110-410](#) [120-405](#) [106-009](#) [106-505](#) [105-401](#) [106-006](#) [104-406](#) [137-002](#) [105-405](#) [111-005](#) [127-909](#) [106-502](#) [130-475](#) [130-503](#) [127-401](#) [106-010](#) [127-455](#) [127-475](#) [110-903](#) [R260-180-300](#) [9511020](#) [9822029](#) [9820014](#) [P61603000P](#) [9823009](#) [R103-164-000](#)