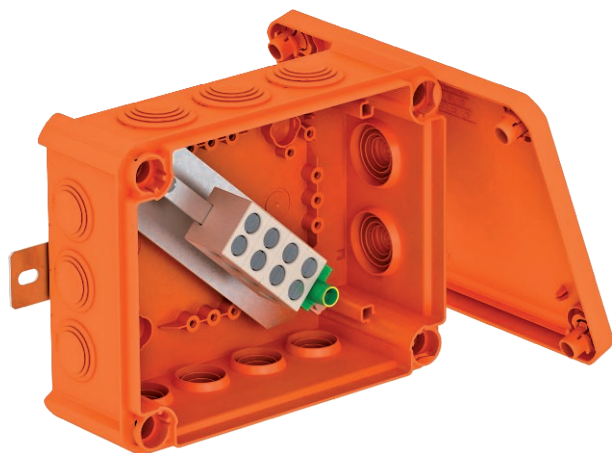


Technical data sheet

FireBox T160ED with external fastening

Item no. 7205546



Halogen-free junction box with pre-mounted, soft plug-in seals, approved for the maintenance of electrical functionality according to DIN 4102 Part 12. Maintenance of electrical functionality classes E30 to E90.

Colour: Pastel orange.

Fully mounted connection unit made of high temperature-resistant special ceramic and labelled protective conductor terminal. Supplied with 2 MMS 6x50 fire protection screw ties for anchorless fastening on the external straps.

Nominal cross-section of power cable: Max. 16 mm². Maximum of two 6 mm² rigid copper cables per terminal.

High protection rating IP66, impact resistance class IK05.

Details on the cable types and manufacturers can be found in the general construction test certificate of the material testing institute NRW, Erwitte.



PP Polypropylene

Additional product text, instruction
Number of terminals including protective conductor terminal
Internal clearance: 176x135x67 mm

Master data

Item no.	7205546
Type	T 160 ED 16-5 A
Description 1	Junction box
Description 2	for function maintenance
Dimension	190x150x77
Colour	Pastel orange
RAL number	2003
Material	Polypropylene
Material symbol	PP
Smallest sales unit (VG)	1,00 Piece
Weight	60,00 kg/100 pc.

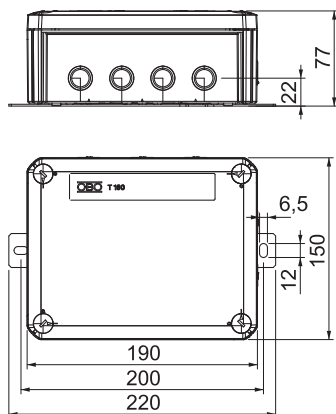
Technical data sheet

FireBox T160ED with external fastening

Item no. 7205546



Technical data



Length	190,00 mm
Width	150,00 mm
Height	77,00 mm
Clear internal dimensions	176x135x67 mm
Dimension LxWxH	190x150x77 mm
Expandable	<input type="checkbox"/>
No. of entries	12,00
Number of terminals	5,00
Type of housing penetration	Cutttable stepped membrane
Measured insulation voltage Vi	690,00 V
Equipment	Terminal
Cover	Not transparent
Cover fastening	Screwed
Entries	7x M25 5x M32
Entry from rear	<input type="checkbox"/>
Explosion-tested version	<input type="checkbox"/>
Shape	Rectangular
Function maintenance (ETIM)	E 90
For Ex zone	Without
For Ex zone gas	Without
For Ex zone dust	Without
Halogen-free	<input checked="" type="checkbox"/>
With screening	<input type="checkbox"/>
with lid	Yes
With cover	<input checked="" type="checkbox"/>
Installation type	Surface-mounted
Nominal cross section	16,00 mm ²
Nominal voltage	660,00 V
Protection rating	IP66
Sealable	<input type="checkbox"/>
Impact-resistant	<input type="checkbox"/>
Transparent lid	<input type="checkbox"/>
Weatherproof	<input type="checkbox"/>

X-ON Electronics

Largest Supplier of Electrical and Electronic Components

Click to view similar products for [Electrical Enclosures](#) category:

Click to view products by [OBO BETTERMANN](#) manufacturer:

Other Similar products are found below :

[1201110001](#) [120-401](#) [120-905](#) [120-909](#) [120-403](#) [130-004](#) [MR-25L+](#) [30-8739](#) [PIP-11774SCREW](#) [30-9715](#) [30-9777-BU](#) [110-902](#) [110-901](#)
[A16N12BLP](#) [110-406](#) [110-401](#) [110-404](#) [120-405](#) [34861601](#) [106-009](#) [106-505](#) [105-405](#) [111-005](#) [127-909](#) [106-502](#) [130-475](#) [130-503](#) [127-](#)
[455](#) [9511150](#) [9511017](#) [9820011](#) [NSYTDB5PL](#) [137-455](#) [130-001](#) [105-904](#) [120-404](#) [137-005](#) [130-505](#) [127-406](#) [AB 1,5.0](#) [AB2.0](#) [ABM.0](#)
[73345601](#) [F-MP](#) [H-MP](#) [M-MP](#) [PAT 12040](#) [2461000](#) [9121230](#) [79541301](#)