

Technical data sheet

Junction box T 25, plug-in seal

Art.-Nr. 2007029



The junction boxes are made of a thermoplastic polypropylene polymer with plug-in seals made of ethylene vinyl acetate (EVA). This plastic is soft, which means that it is malleable. This allows installation of cables either directly through the 4 x M25 seals, or the seals can be cut with a knife at the pre-marked points, in order to create an insertion opening for cables or pipes. In addition, cable glands can be inserted through the openings instead of the seals and locked with a locknut from inside.

The cable junction boxes can be screwed onto an M6 thread or mounted on mounting plates in the openings on the floor using steel bolts 3.5 x 9.5.

Clear internal dimensions: Ø63x45 mm.

Cover with labelling panel.



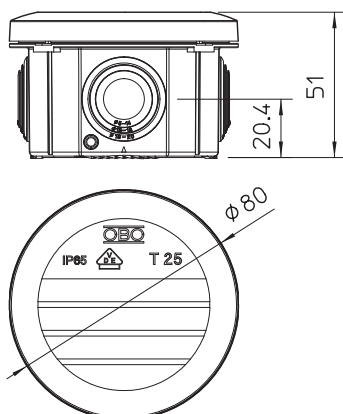
PP Polypropylene

Product additional text for information	Standard version: flame-resistant, testing temperature 650 °C. F version: highly flame-resistant, testing temperature 960 °C.
Product additional text 2	Clear internal dimensions: Ø63x45 mm
Product additional text 3	Protection rating IP65; Protection rating IK code IK07.

Master data

Item No.	2007029
Type	T 25
Description 1	Junction box
Description 2	with entries
Dimension	Ø80x51
Colour	Light grey
RAL number	7.035,00
Material	Polypropylene
Material symbol	PP
Smallest sales unit	5,00 pcs
Weight	4,19 kg/100 pcs.

Technical specifications



Height	51,00 mm
Diameter	80,00 mm
Clear internal dimensions	Ø63x45 mm
Dimension LxWxH	xx51 mm
Dimension	Ø80x51 mm
Expandable	<input checked="" type="checkbox"/>
No. of entries	4,00
Type of entry	Cable
Type of entry	Plug-in seal
Type of housing penetration	Cutttable stepped membrane
Version	Standard
Appendix document	634451 (tserie.pdf); 634124 (harte_tyten.pdf)
Measured insulation voltage Vi	500,00 V
Cover	Not transparent
Cover fastening	Locking
Entries	4 x M25
Entry from rear	<input checked="" type="checkbox"/>
Explosion-tested version	<input checked="" type="checkbox"/>

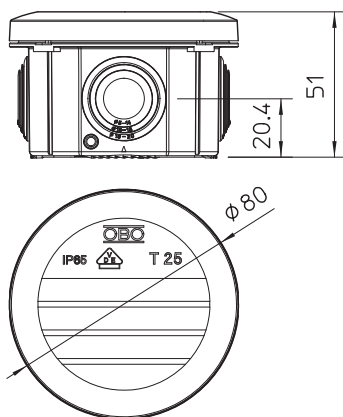
Technical data sheet

Junction box T 25, plug-in seal

Art.-Nr. 2007029



Technical specifications



Flame resistant	flame resistant to VDE 0471/DIN 695 Part 2-1, test temperature 650° C
Shape	Round
Function maintenance (ETIM)	Without
For Ex zone	Without
For Ex zone gas	Without
For Ex zone dust	Without
Glass-fibre reinforced	<input checked="" type="checkbox"/>
Halogen-free	<input checked="" type="checkbox"/>
With screening	<input checked="" type="checkbox"/>
with lid	With locking lid
With cover	<input checked="" type="checkbox"/>
Installation type	Wall/ceiling mounting
Mounting type	Wall/ceiling mounting
Nominal cross section	2,50 mm ²
Nominal voltage	500,00 V
Protection rating	IP65
Protection rating	IP65
Protection rating IK code	IK07.
Sealable	<input checked="" type="checkbox"/>
max. permitted ambient temperature	-5,00 - 60,00 °C
Transparent lid	<input checked="" type="checkbox"/>
Weatherproof	<input checked="" type="checkbox"/>

X-ON Electronics

Largest Supplier of Electrical and Electronic Components

Click to view similar products for [Electrical Enclosures](#) category:

Click to view products by [OBO BETTERMANN](#) manufacturer:

Other Similar products are found below :

[120-902](#) [120-905](#) [120-403](#) [120-475](#) [120-901](#) [127-410](#) [130-504](#) [130-506](#) [MR-25L+](#) [30-8739](#) [PIP-11774SCREW](#) [30-9715](#) [MR-25LW+](#) [110-407](#) [111-004](#) [111-008](#) [110-402](#) [110-901](#) [110-907](#) [111-002](#) [110-406](#) [110-910](#) [110-404](#) [110-409](#) [110-410](#) [120-405](#) [106-009](#) [106-505](#) [105-401](#) [106-006](#) [104-406](#) [137-002](#) [105-405](#) [111-005](#) [127-909](#) [106-502](#) [130-475](#) [130-503](#) [127-401](#) [106-010](#) [127-455](#) [127-475](#) [110-903](#) [R260-180-300](#) [9511020](#) [9822029](#) [9820014](#) [P61603000P](#) [9823009](#) [R103-164-000](#)