

# Technical data sheet

## Junction box T 25, plug-in seal, flame-resistant

Art.-Nr. 2007312

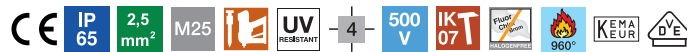


The junction boxes are made of a thermoplastic polypropylene polymer with plug-in seals made of ethylene vinyl acetate (EVA). This plastic is soft, which means that it is malleable. This allows installation of cables either directly through the 4 x M25 seals, or the seals can be cut with a knife at the pre-marked points, in order to create an insertion opening for cables or pipes. In addition, cable glands can be inserted through the openings instead of the seals and locked with a locknut from inside.

The cable junction boxes can be screwed onto an M6 thread or mounted on mounting plates in the openings on the floor using steel bolts 3.5 x 9.5.

Clear internal dimensions: Ø63x45 mm.

Cover with labelling panel.



**PP** Polypropylene

Additional product text, instruction	Standard version: flame-resistant, testing temperature 650 °C. F version: highly flame-resistant, testing temperature 960 °C.
Additional product text 2	Clear internal dimensions: Ø63x45 mm
Additional product text 3	Protection rating IP65; Protection rating IK code IK07.

### Master data

Item no.	2007312
Type	T 25 F
Description 1	Junction box
Description 2	with entries
Dimension	Ø80x51
Colour	Light grey
RAL number	7035
Material	Polypropylene
Material symbol	PP
Smallest sales unit	5,00 Piece
Weight	4,19 kg/100 pc.

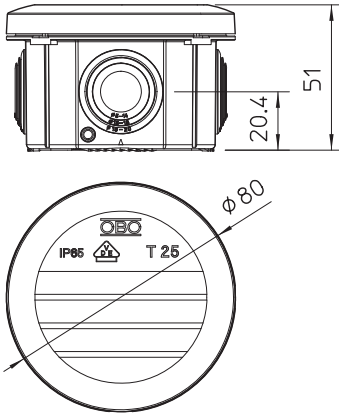
# Technical data sheet

## Junction box T 25, plug-in seal, flame-resistant

Art.-Nr. 2007312



### Technical data



Height	51,00 mm
Diameter	80,00 mm
Clear internal dimensions	Ø63x45 mm
Dimension LxWxH	xx51 mm
Dimension	Ø80x51 mm
Expandable	<input checked="" type="checkbox"/>
No. of entries	4,00
Type of entry	Cable
Type of entry	Plug-in seal
Type of housing penetration	Cutttable stepped membrane
Version	960 °C flame-resistant
Appendix document	634451 (tserie.pdf); 634124 (harte_typen.pdf)
Measured insulation voltage Vi	500,00 V
Cover	Not transparent
Cover fastening	Locking
Entries	4 x M25
Entry from rear	<input checked="" type="checkbox"/>
Explosion-tested version	<input type="checkbox"/>
Flame resistant	Flame resistant to VDE 0471/DIN 695 Part 2-1, test temperature 650 °C
Shape	Round
Function maintenance (ETIM)	Without
For Ex zone	Without
For Ex zone gas	Without
For Ex zone dust	Without
Fibre-glass reinforced	<input type="checkbox"/>
With screening	<input type="checkbox"/>
with lid	With locking lid
With cover	<input checked="" type="checkbox"/>
Installation type	Wall/ceiling mounting
Mounting type	Wall/ceiling mounting
Nominal cross section	2,50 mm <sup>2</sup>
Nominal voltage	500,00 V
Protection rating	IP65
Protection rating	IP65
Protection rating IK code	IK07.
Sealable	<input type="checkbox"/>
max. permitted ambient temperature	-5,00 - 60,00 °C
Transparent lid	<input type="checkbox"/>
Weatherproof	<input type="checkbox"/>

## X-ON Electronics

Largest Supplier of Electrical and Electronic Components

*Click to view similar products for [Electrical Enclosures](#) category:*

*Click to view products by [OBO BETTERMANN](#) manufacturer:*

Other Similar products are found below :

[1201110001](#) [120-401](#) [120-905](#) [120-909](#) [120-403](#) [130-004](#) [MR-25L+](#) [30-8739](#) [PIP-11774SCREW](#) [30-9715](#) [30-9777-BU](#) [110-902](#) [110-901](#)  
[A16N12BLP](#) [110-406](#) [110-401](#) [110-404](#) [120-405](#) [34861601](#) [106-009](#) [106-505](#) [105-405](#) [111-005](#) [127-909](#) [106-502](#) [130-475](#) [130-503](#) [127-](#)  
[455](#) [9511150](#) [9511017](#) [9820011](#) [NSYTDB5PL](#) [137-455](#) [130-001](#) [105-904](#) [120-404](#) [137-005](#) [130-505](#) [127-406](#) [AB 1,5.0](#) [AB2.0](#) [ABM.0](#)  
[73345601](#) [F-MP](#) [H-MP](#) [M-MP](#) [PAT 12040](#) [2461000](#) [9121230](#) [79541301](#)