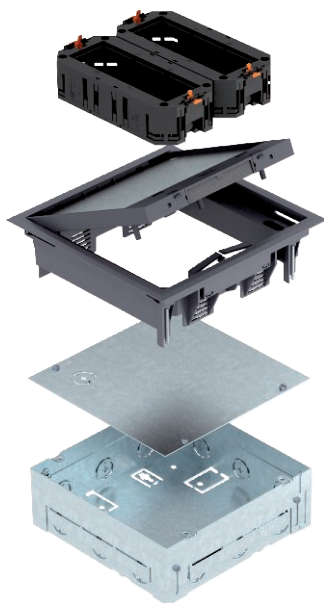


# Technical data sheet

## Complete solution, GES4 service outlet

Item no. 7427460



Square installation unit with cord outlet for use in dry-care cavity floors and screed floors for indoor use, consisting of an installation housing and GES4-2 service outlet (colour Iron grey; RAL 7011) with two universal supports. Installation housing with pre-marked insertion openings for pipelines (M25), adjustable to top edge of screed. In the as-delivered state, the installation housing is closed with a blanking lid. After screed work, the service outlet can be inserted in the created mounting opening. 3, 5, 8 or 10 mm floor covering recess in the hinged cover of the service outlet. The minimum installation depth is 72 mm including floor covering, the height adjustment range +30 mm.

Up to 6 individual Modul 45® devices can be installed.

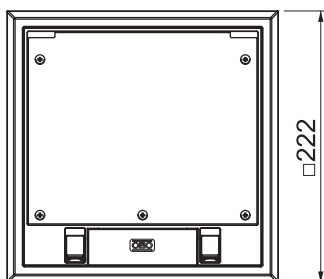
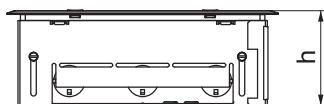


PA Polyamide

### Master data

Item no.	7427460
Type	UD GES4-2 7011
Description 1	Service outlet
Description 2	with installation housing
Dimension	222x222x140
Colour	Iron grey
RAL number	7011
Material	Polyamide
Material symbol	PA
Smallest sales unit (VG)	1 Piece
Weight	290,00 kg/100 pc.

### Technical data



Length	205,00 mm
Width	205,00 mm
Cable outlet version	Swivellable cord outlet
Installation depth	72,00 mm
Screed height	72-102 mm
Opening mechanism	Locking slider
Installation system type	UT3

## X-ON Electronics

Largest Supplier of Electrical and Electronic Components

*Click to view similar products for [Electrical Enclosures](#) category:*

*Click to view products by [OBO BETTERMANN](#) manufacturer:*

Other Similar products are found below :

[MR-25L+](#) [1584DMGPK](#) [30-8739](#) [30-9715](#) [30-9777-BU](#) [110-402](#) [A242012LP](#) [A16N12BLP](#) [111-005](#) [9511096](#) [9511016](#) [9820006](#) [1010.600](#)  
[AR242410CHSSL](#) [127-406](#) [127-906](#) [79021101](#) [EKIV 17](#) [EKIV 37](#) [18600801](#) [19501001](#) [19701101](#) [19600901](#) [TRH 24](#) [A317SEAL](#)  
[A3735SEAL](#) [A3783SEAL](#) [X16C LGR-TR](#) [X25C LGR-TR](#) [T 160 OE HD LGR](#) [T 350 OE HD LGR](#) [T 60 M20](#) [T 60 M20 NL](#) [SDB 03 PS](#)  
[P2018SEAL](#) [EN1309N4](#) [EN1511N4LATCH](#) [GSV171](#) [2763-00](#) [2765-00](#) [2761-00](#) [00 070](#) [00 071](#) [0212-00](#) [0213-00](#) [0217-00](#) [0221-00](#) [0222-00](#) [0224-00](#) [0225-00](#)