

# Technical data sheet

## Concealed accessory box

Art.-Nr. 2003015



Device socket with torsion-resistant guaranteed standard combination spacing of 71 mm (to DIN 49 073-1) through Snap-lock coupling. 7 break-out openings for cables and pipes  $\varnothing$  20 mm and  $\varnothing$  25 mm. Combinable for spreading and screw fastening, low-lying plaster brackets, device bolt spacing 60 mm, for screw fastening with 3.2 mm self-tapping screws, with 2 screw bosses without screws, protection rating IP20.



PS Polystyrene

### Master data

Item no.	2003015
Type	UG 60 D
Description 1	Box, empty
Description 2	concealed
Dimension	$\varnothing$ 60mm, H40mm
Colour	Black
Material	Polystyrene
Material symbol	PS
Smallest sales unit	25,00 Piece
Weight	1,32 kg/100 pc.

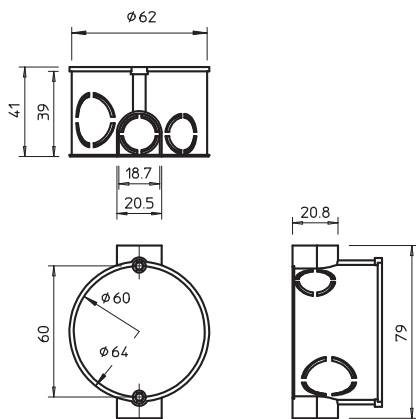
# Technical data sheet

## Concealed accessory box

Art.-Nr. 2003015



### Technical data



Height	40,00 mm
interior Ø	60 mm
Ø	60 max.
Diameter	60,00 mm
Closable	<input type="checkbox"/>
No. of entries	7,00
Entries	7
Number of switch boxes	1,00
Type of entry	break-out openings for cables and pipes Ø 20 mm and Ø 25 mm
Type of housing penetration	Pre-marking
Version for	Single
Shape	Device socket
Device fixing	Screw or spread
Equipment	Without
Cover	Without
Cover fastening	Not applicable
Entry from rear	<input type="checkbox"/>
Flame resistant	Flame resistant to VDE 0471/DIN 695 Part 2-1, test temperature 650 °C
Shape	Round
For pipe diameter	20/25 mm
Function maintenance (ETIM)	Without
Floor height	42 mm
Accessory screw clearance	60,00 mm
Halogen-free	<input checked="" type="checkbox"/>
With screening	<input type="checkbox"/>
With nail strap	<input type="checkbox"/>
With bolts	<input type="checkbox"/>
Mounting type	Concealed
Nominal cross section	1,50 - 2,50 mm <sup>2</sup>
Nominal voltage	400,00 V
Sealable	<input type="checkbox"/>
Impact-resistant	<input checked="" type="checkbox"/>
Protection rating	IP20
Support	Tunnel support
Wind-tight	<input type="checkbox"/>

## X-ON Electronics

Largest Supplier of Electrical and Electronic Components

*Click to view similar products for [Electrical Enclosures](#) category:*

*Click to view products by [OBO BETTERMANN](#) manufacturer:*

Other Similar products are found below :

[1201110001](#) [120-401](#) [120-905](#) [120-909](#) [120-403](#) [130-004](#) [MR-25L+](#) [30-8739](#) [PIP-11774SCREW](#) [30-9715](#) [30-9777-BU](#) [110-902](#) [110-901](#)  
[A16N12BLP](#) [110-406](#) [110-401](#) [110-404](#) [120-405](#) [34861601](#) [106-009](#) [106-505](#) [105-405](#) [111-005](#) [127-909](#) [106-502](#) [130-475](#) [130-503](#) [127-](#)  
[455](#) [9511150](#) [9511017](#) [9820011](#) [NSYTDB5PL](#) [137-455](#) [130-001](#) [105-904](#) [120-404](#) [137-005](#) [130-505](#) [127-406](#) [AB 1,5.0](#) [AB2.0](#) [ABM.0](#)  
[73345601](#) [F-MP](#) [H-MP](#) [M-MP](#) [PAT 12040](#) [2461000](#) [9121230](#) [79541301](#)