

# Technical data sheet

## Concealed accessory/connection box

Art.-Nr. 2003023



Device/connection socket with increased socket volume on both sides of the device installation opening to accept connection terminals. Torsion-resistant guaranteed standard combination spacing of 71 mm (to DIN 49 073-1) through snap-lock coupling. Break-out openings for cables and pipes of up to  $\varnothing$  21 mm, low-lying plaster brackets, device bolt spacing 60 mm, for screw fastening with 3.2 mm self-tapping screws, with 4 screw bosses and 2 device screws, protection rating IP20.



PS Polystyrene

### Master data

Item no.	2003023
Type	UG 60 VK
Description 1	Device/connection box
Description 2	concealed
Dimension	70x110x48
Colour	Black
Material	Polystyrene
Material symbol	PS
Smallest sales unit	10,00 Piece
Weight	4,60 kg/100 pc.

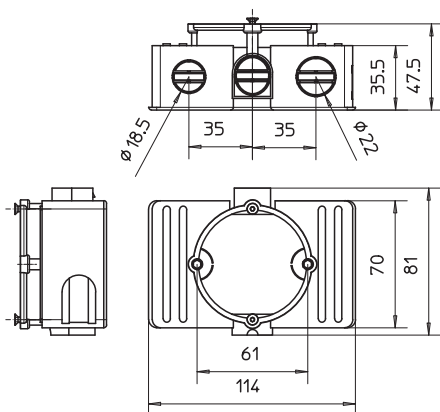
# Technical data sheet

## Concealed accessory/connection box

Art.-Nr. 2003023



### Technical data



Width	70,00 mm
Height	48,00 mm
Length	110,00 mm
interior Ø	60 mm
Ø	60 max.
Diameter	60,00 mm
Closable	<input type="checkbox"/>
No. of entries	8,00
Entries	8
Number of switch boxes	1,00
Type of entry	break-out openings for cables and pipes to Ø 21 mm
Type of housing penetration	Pre-marking
Version for	Single
Shape	Device connection socket/box
Device fixing	Screw
Equipment	Without
Cover	Without
Cover fastening	Not applicable
Entry from rear	<input type="checkbox"/>
Flame resistant	Flame resistant to VDE 0471/DIN 695 Part 2-1, test temperature 650 °C
Shape	Rectangular
For pipe diameter	20 mm
Function maintenance (ETIM)	Without
Floor height	50 mm
Accessory screw clearance	60,00 mm
Halogen-free	<input checked="" type="checkbox"/>
With screening	<input type="checkbox"/>
With nail strap	<input type="checkbox"/>
With bolts	<input checked="" type="checkbox"/>
Mounting type	Concealed
Nominal cross section	1,50 - 2,50 mm <sup>2</sup>
Nominal voltage	400,00 V
Sealable	<input type="checkbox"/>
Impact-resistant	<input checked="" type="checkbox"/>
Protection rating	IP20
Support	Tunnel support
Wind-tight	<input type="checkbox"/>

## X-ON Electronics

Largest Supplier of Electrical and Electronic Components

*Click to view similar products for [Electrical Enclosures](#) category:*

*Click to view products by [OBO BETTERMANN](#) manufacturer:*

Other Similar products are found below :

[1201110001](#) [120-401](#) [120-905](#) [120-909](#) [120-403](#) [130-004](#) [MR-25L+](#) [30-8739](#) [PIP-11774SCREW](#) [30-9715](#) [30-9777-BU](#) [110-902](#) [110-901](#)  
[A16N12BLP](#) [110-406](#) [110-401](#) [110-404](#) [120-405](#) [34861601](#) [106-009](#) [106-505](#) [105-405](#) [111-005](#) [127-909](#) [106-502](#) [130-475](#) [130-503](#) [127-](#)  
[455](#) [9511150](#) [9511017](#) [9820011](#) [NSYTDB5PL](#) [137-455](#) [130-001](#) [105-904](#) [120-404](#) [137-005](#) [130-505](#) [127-406](#) [AB 1,5.0](#) [AB2.0](#) [ABM.0](#)  
[73345601](#) [F-MP](#) [H-MP](#) [M-MP](#) [PAT 12040](#) [2461000](#) [9121230](#) [79541301](#)