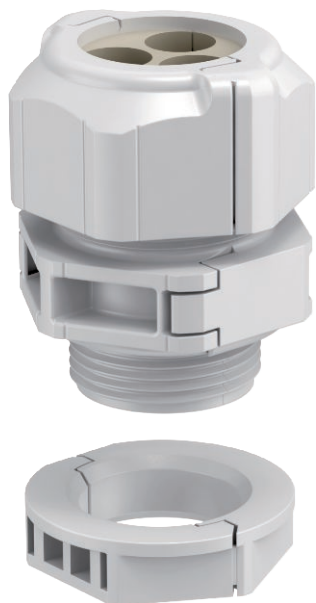


Technical data sheet

Separable cable gland, sealing insert, multiple, light grey
Item no. 2024928



The splittable cable gland V-TEC TB. ensures - like all V-TEC glands - a secure sealing of the cable. The installation of pre-terminated cables or function cables, for example, is easy and quick, thanks to the splitting of the cable gland.

The V-TEC TB is also unbeatable when refitting an existing installation and as a "repair gland". There is no need to disassemble pre-mounted cables, it can be installed without interrupting the production process.



PC Polycarbonate

Additional product text, instruction	The sealing inserts are used to insert multiple cables through a gland. Depending on the application, the specified hole diameters are reduced by 1–2 mm when tightening the cable gland. The ideal aids are the spreading pliers which can be used to open the sealing insert. With this tool, inserting the individual cables is quick and easy.
Additional product text 1	The gland set consists of an intermediate support, a cap nut and the seal. Of course, the split locknut is also in the scope of delivery.
Additional product text 2	Further multiple sealing inserts upon request.

Master data

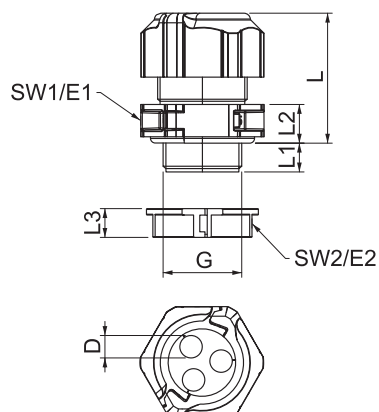
Item no.	2024928
Type	V-TEC TB25 3x9
Description 1	Cable gland, separable
Description 2	Sealing insert, multiple
Dimension	M25
Colour	Light grey
Material	Polycarbonate
Material symbol	PC
Smallest sales unit (VG)	5,00 Piece
Weight	2,64 kg/100 pc.

Technical data sheet

Separable cable gland, sealing insert, multiple, light grey
Item no. 2024928



Technical data



Dimension D	9,00 mm
Dimension E1	39,00 mm
Dimension E2	34,50 mm
Dimension G	M25x1,5 mm
Dimension L	41,00 mm
Dimension L min.	31,50 mm
Dimension L max.	40,00 mm
Dimension L1	11,00 mm
Dimension L2	10,00 mm
SW 1	35,00 mm
SW 2	31,00 mm
Number of drill holes	3,00
Version	Straight
Type of seal	Sealing ring
Bend protection	<input type="checkbox"/>
explosion-proof	<input type="checkbox"/>
Flat cable threaded connection	<input type="checkbox"/>
For Ex zone	Without
For Ex zone gas	Without
For Ex zone dust	Without
Flame resistant	Flame resistant to VDE 0471/DIN 695 Part 2-1, test temperature 650 °C
Thread	M25x1,5
Thread type	Metric
Thread length	11,00 mm
Thread increase	1,50 mm
Nominal thread size	25,00
Fibre-glass reinforced	<input type="checkbox"/>
Halogen-free	<input checked="" type="checkbox"/>
Installation torque	4,00 Nm
Multiple sealing insert	<input checked="" type="checkbox"/>
With locknut	<input checked="" type="checkbox"/>
Impact-resistant	<input checked="" type="checkbox"/>
Hexagonal corner dimension	35,00 mm
Protection rating	IP67
Splittable gland	<input checked="" type="checkbox"/>
max. permitted ambient temperature	-20,00 - 80,00 °C
Strain relief option	<input type="checkbox"/>

X-ON Electronics

Largest Supplier of Electrical and Electronic Components

Click to view similar products for [Cable Glands, Strain Reliefs & Cord Grips](#) category:

Click to view products by [OBO BETTERMANN](#) manufacturer:

Other Similar products are found below :

[1300980012](#) [DBZM-6828](#) [1498](#) [15190-103 R2](#) [1.587.3400.71](#) [300623](#) [07402002](#) [CD21NS-01](#) [VC-M-KV-PG16 1X3/1X8](#) [35935](#) [35882](#)
[M4340GAE](#) [4597](#) [NG-9516 Gasket](#) [52006157](#) [52006176](#) [BM4963L](#) [53629556](#) [53629570](#) [53629675](#) [52025230](#) [52024853](#) [52103160](#)
[52115810](#) [53017640](#) [53019051](#) [53019071](#) [53112270](#) [53112330](#) [53112840](#) [53112879](#) [53112929](#) [53111470](#) [53015270](#) [53015090](#) [53018090](#)
[PG-29](#) [36681](#) [36550](#) [36310](#) [35880](#) [1300990004](#) [Z5.507.2321.0](#) [CGB295-SG](#) [5320816](#) [1.089.1399.19](#) [1.089.2106.19](#) [1.089.2905.19](#)
[1.089.3699.19](#) [1.089.4801.19](#)