

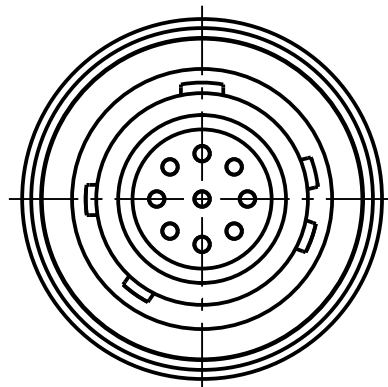
Fuer diese Unterlage behalten wir uns alle Rechte vor, auch fuer den Fall der Patenterteilung oder Gebrauchsmustererteilung. Sie darf ohne unsere vorherige schriftliche Zustimmung weder vervielfaeltigt noch sonstwie benutzt, noch Dritten zugaenglich gemacht werden.

Nur rol gestempelte oder auf Laufrarte gedruckte Dokumente unterliegen dem Nachrungsrecht und sind zur Fertigung freigegeben. Only red stamped or on jobcard printed documents are managed. These documents are approved for production.

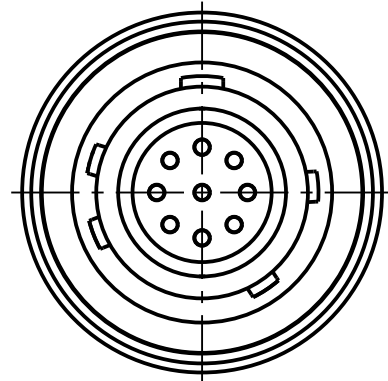
All Rights reserved, including possible patents or trademarks. Documents shall not be provided to a third party or duplicated in any form without prior written permission.

CAD: Creo Parametric

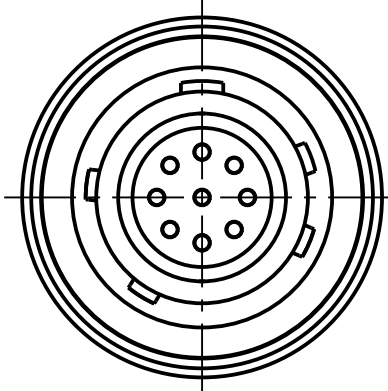
Additional coding  
View in direction B  
4:1



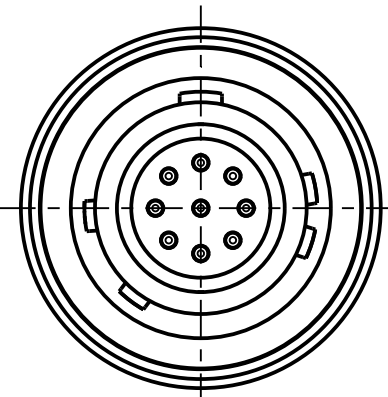
A10YBR-P09XCDO-0000  
Mechanical coding: B  
Color coding: red



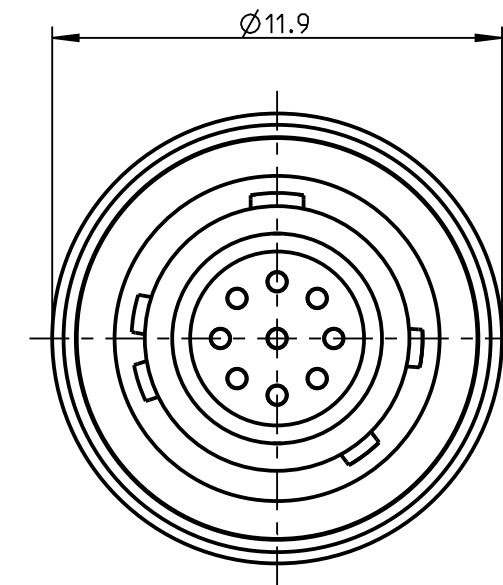
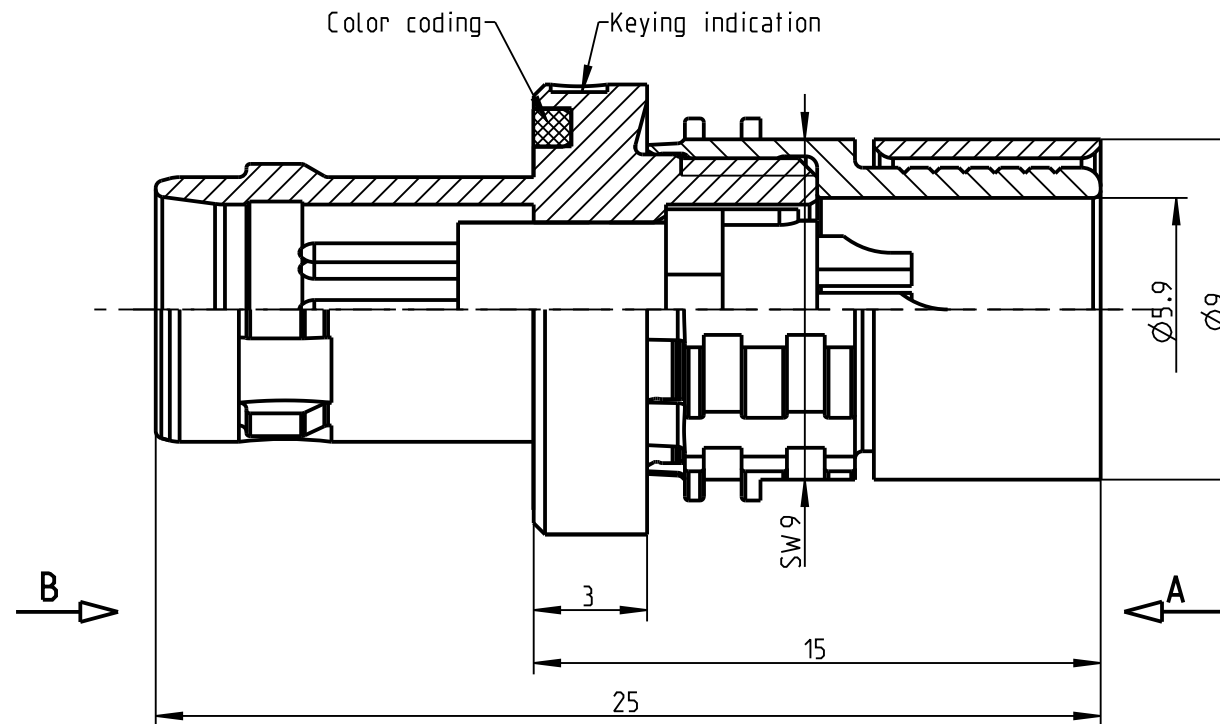
A10YCR-P09XCDO-0000  
Mechanical coding: C  
Color coding: blue



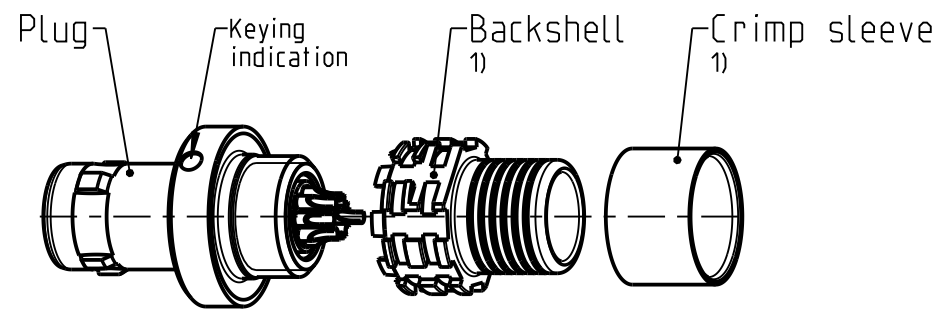
A10YDR-P09XCDO-0000  
Mechanical coding: D  
Color coding: green



A10YER-P09XCDO-0000  
Mechanical coding: E  
Color coding: grey

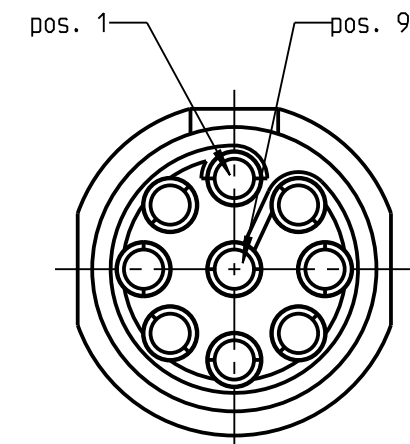


A10YAR-P09XCDO-0000  
Mechanical coding: A  
Color coding: light brown



Delivery condition  
2:1

Only insert  
View in direction A  
8:1



Technical information

- Max. cable Ø5.5mm (Based on cable with one braided shield)
- Solder contacts: AWG26
- Current load: 5A@Δt40° (Single contact)  
3.25A@Δt40° (Insert)
- Test voltage: 600V (acc. SAE AS 1344:1998, Contact to contact)
- Rated voltage: 200V (acc. SAE AS 1344:1998) 2)

- For more technical information and accessories see catalogue ([www.odu.de/amc](http://www.odu.de/amc))

1) For crimp information, torque, etc. see assembly instruction 010.645.001.000.004 ([www.odu.de/amc/assembly](http://www.odu.de/amc/assembly))

2) Maximal operating voltage at sea level up to 2.000m. Rated voltage applies no other electrical safety standard. In case other standards rule a specific use of the connector, the application specific safety criteria shall be considered first. This must be evaluated in the frame of equipment engineering.

Bei den hier dargestellten ODU-Steckverbindern handelt es sich nach DIN EN 61984:2009 um Steckverbinder ohne Schaltleistung (COC) ! /the pictured ODU-connectors are in relation to DIN EN 61984:2009 connectors without switching capacity (COC) !

		Benennung/description: <b>Break-Away Plug</b> AMC Standard Version		Werkstoff: material: see BOM
Allgemeintoleranz/general tol.: DIN ISO 2768-mH Tolerierung / Tolerancing: DIN ISO 8015		CAD-Nr.: design-ID: <b>00050221</b>		Maßstab: scale: <b>5:1</b>
Status/state: <b>Approved</b>		Version: revision: <b>A</b>		Format: size: <b>A3</b>
Erstellt/prepared	12.09.2011	mmeier	Teile-ID: part-ID:	Einheit: dim.: mm
Geaendert/revised	05.12.2016	cmeindl	Oxaion-Nr.:	Bl.:
Freigabe/released	08.12.2016	jweigand	A10Y.R-P09XCDO-0000	
ODU-MUEHL DORF	Datum/date	Name/name	Ursprung/origin.:	
			sheet: 1	

## X-ON Electronics

Largest Supplier of Electrical and Electronic Components

*Click to view similar products for [Circular Push Pull Connectors](#) category:*

*Click to view products by [ODU manufacturer](#):*

Other Similar products are found below :

[6407-249V-11273P](#) [6408-201V-13273](#) [6408-202V-13343](#) [6408-202V-17343](#) [EZG.0B.309.CLN](#) [FFA.2S.310.ZLA](#) [FGA.1B.307.CYCD72Z](#)  
[FGJ.1B.304.CLLD76](#) [FGJ.1B.306.CWLD72](#) [FGJ.2B.302.CYMD82Z](#) [FGJ.3B.304.CYMD10Z](#) [FGJ.3B.304.CYMD82Z](#) [FHG.1B.303.CYCZ](#)  
[PCS.01.250.DLLE24](#) [PHG.0K.305.CYMC40Z](#) [PHG.1K.308.CLLK85](#) [PKG.M0.6BL.LZ](#) [PLC.M1.0SL.LA](#) [GMA.10.290.DN](#)  
[GMA.3B.090.DA](#) [PRG.M0.6GL.LC52GZ](#) [PSA.1S.275.CTLC66](#) [133020F](#) [1331ER193MZ](#) [1332M107MZ](#) [EAJ.1B.306.CWA](#)  
[ECG.XB.312.CLL](#) [1589430-2](#) [ELF.00.250.NTL](#) [BRR.2S.200.PZVG](#) [HR10A-P](#) [CAH.M34.SLL.C72GZ](#) [CAJ.M34.SLL.C72GZ](#) [300500](#)  
[EXG.0B.309.HLN](#) [FFA.2E.302.CLAC80Z](#) [FFB.1S.250.CLAC27](#) [FGA.2B.306.CYCD92Z](#) [FGJ.2B.302.CYMD62Z](#) [FGJ.2B.307.CLLD99](#)  
[FGJ.3B.308.CLLD72Z](#) [FHG.1B.303.CYCD62](#) [FLC.00.250.CTAC31](#) [PCS.01.250.DLLE31](#) [PKA.M1.0TL.LG](#) [PKC.M0.7GL.NG](#)  
[PKG.M0.4TL.LZ](#) [PPG.M1.0GG.N](#) [PRG.M0.4GL.LC39GZ](#) [PXG.M0.8GG.NG](#)