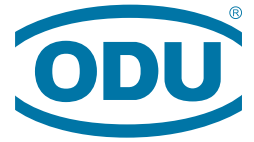


A PERFECT ALLIANCE.



ODU MINI-MED[®]

The overmolded connector for measurement and testing,
industrial and medical devices.

MINI OVERMOLDED
CONNECTOR



ODU MINI-MED[®]

ASSEMBLED PLASTIC CONNECTORS

A PERFECT ALLIANCE.



A PERFECT ALLIANCE.

ODU GROUP OVERVIEW

- More than 70 years of connector experience
- €146 million in turnover
- Over 1,650 employees worldwide
- 9 sales subsidiaries: China, Denmark, France, Germany, Italy, Japan, Sweden, the UK and the US
- All technologies under one roof: Design and development, machine tool and special machine construction, injection, stamping, turning, surface technology, assembly and cable assembly

As of February 2016

CERTIFIED QUALITY

- DIN EN ISO 9001
- DIN ISO TS 16949
- DIN EN ISO 14001
- ISO 13485
- Wide range of UL, CSA, VG and DVA licenses
- UL-certified cable assembly

For a complete list of our certifications, please visit our website.

CUSTOMER-SPECIFIC SOLUTIONS

Contacts, connectors and cable assembly integrated solutions meeting the most demanding technical requirements – ODU's connector solutions and value-added services are characterized by their exclusive focus on meeting the customer's needs.

- Precise implementation of application-specific requirements regarding design, functionality, cost and exclusivity
- Custom connector solutions derived from standard products
- One-to-one local expertise and fair, friendly consulting
- Quick prototyping and production turnaround



ODU MINI-MED[®]

SMALL – LIGHT – ASSEMBLED



GOOD
GRIP



BLIND
MATING



AUDIBLE
LOCKING



SPACE-SAVING



PLUG AND CABLE ASSEMBLY
FROM A SINGLE SOURCE

THE ODU MINI-MED[®] – THE PERFECT CHOICE

This assembled plastic connection will always come in handy when a light, space-saving and watertight cable assembly is required. The ODU MINI-MED can be easily mated and has a break-away function to ensure the quick disconnection of plug and in-line receptacle or receptacle.

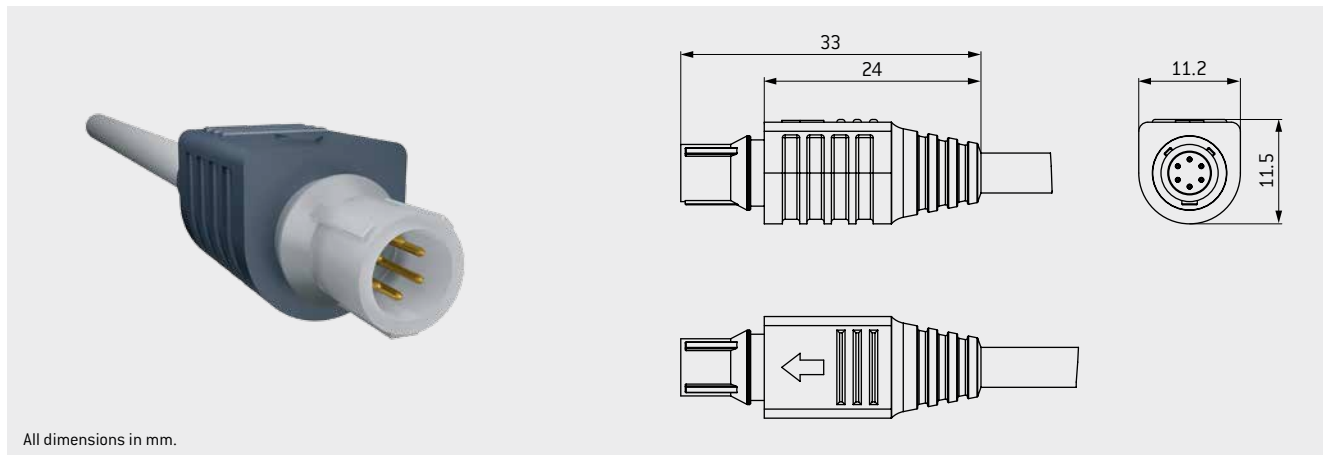
This solution offers safe, hassle-free use in fields with hygiene requirements, such as in medical technology. The compact MINI-MED connection can also be used in the industrial electronics or measurement and testing.

⊕ IMPRESSIVE – THE ODU MINI-MED[®]

- 2 to 6 contacts
- >1,000 mating cycles
- IP 67 protection class when mated
- Gold plated contacts with soldered connection
- EtO sterilizable
- DEHP-free
- Assembled with PVC cable* (white)
- Available in these cable lengths:
0.5 m / 5 m
- (PVC cable) operating temperature:
-15°C to +80°C
- Break-away function

*Silicone cable (grey) upon request.

BREAK-AWAY PLUG (including cable, cable assembly and overmolding)

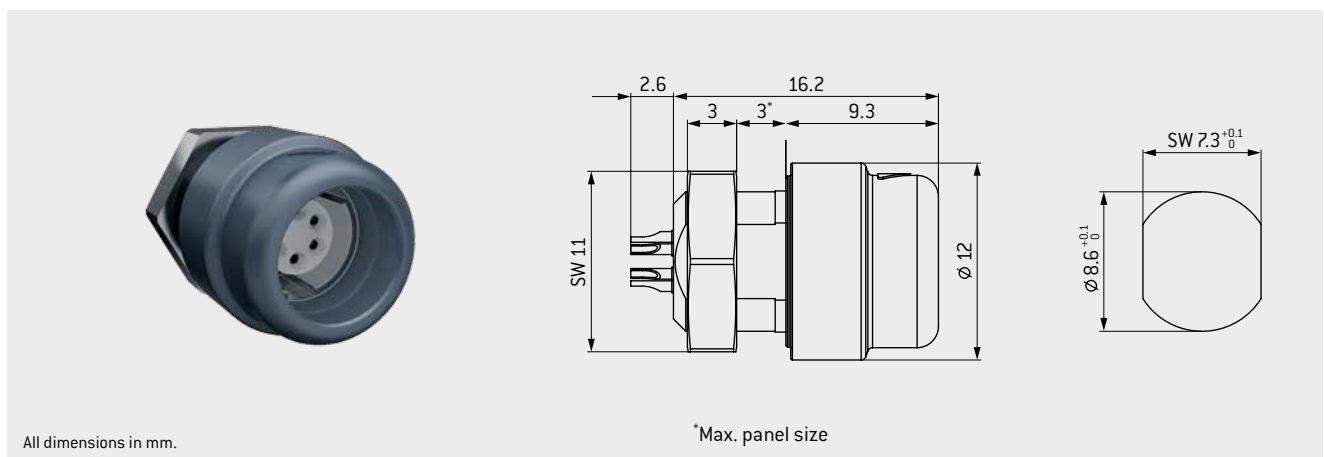


All dimensions in mm.

Number of contacts	Cable length		Cable diameter mm	Termination cross-section	
	0.5 m	5 m		AWG	mm ²
2	C00.707.100.020.013	C00.707.100.020.018	4.1	22	0.38
3	C00.707.100.030.013	C00.707.100.030.018	4.6	22	0.38
4	C00.707.100.040.013	C00.707.100.040.018	4.1	26	0.14
5	C00.707.100.050.013	C00.707.100.050.018	4.4	26	0.14
6	C00.707.100.060.013	C00.707.100.060.018	4.4	28	0.08

Cable type: PVC. Silicone cable upon request.

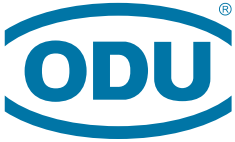
RECEPTACLE (with integrated panel sealing)



All dimensions in mm.

*Max. panel size

Number of contacts	Part number	Termination cross-section	
		AWG	mm ²
2	756.199.404.000.000	22	0.38
3	756.199.403.000.000	22	0.38
4	756.199.402.000.000	26	0.14
5	756.199.401.000.000	26	0.14
6	756.199.400.000.000	28	0.08



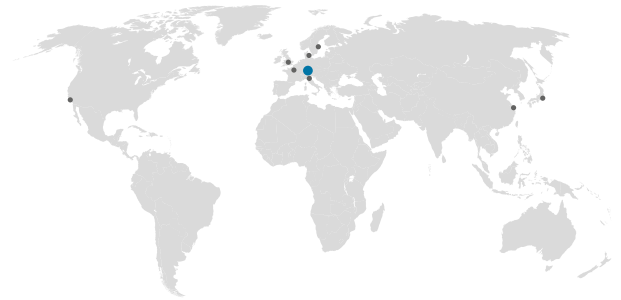
A PERFECT ALLIANCE.

ODU GROUP WORLDWIDE

HEADQUARTERS

ODU GmbH & Co. KG

Pregelstraße 11
84453 Mühldorf a. Inn
Germany
Phone: +49 8631 6156-0
Fax: +49 8631 6156-49
E-mail: zentral@odu.de



SALES SUBSIDIARIES

ODU Denmark ApS

Phone: +45 2233 5335
E-mail: odu.denmark@odu.de
www.odu-denmark.dk

ODU France SARL

Phone: +33 1 3935-4690
E-mail: odu@odu.fr
www.odu.fr

ODU Italia S.R.L.

Phone: +39 331 8708847
E-mail: sales@odu-italia.it
www.odu-italia.it

ODU Japan K.K.

Phone: +81 3 6441 3210
E-mail: sales@odu.co.jp
www.odu.co.jp

ODU Scandinavia AB

Phone: +46 176 18261
E-mail: sales@odu.se
www.odu.se

ODU (Shanghai)

International Trading Co., Ltd.
Phone: +86 21 58347828-0
E-mail: oduchina@odu.com.cn
www.odu.com.cn

ODU-UK Ltd.

Phone: +44 1509 266433
E-mail: sales@odu-uk.co.uk
www.odu-uk.co.uk

ODU-USA Inc.

Phone: +1 805 4840540
E-mail: sales@odu-usa.com
www.odu-usa.com

**Further information and specialized
representatives can be found at:**
www.odu.de/sales

GRASWALD · HEILIGTAG | Passau

ODU MINI-MED®



Simply scan the QR code
to download the entire brochure.

We reserve the right to modify product or technical data.

ODU MINI-MED / B / 0116 / E

X-ON Electronics

Largest Supplier of Electrical and Electronic Components

Click to view similar products for [Sensor Cables / Actuator Cables](#) category:

Click to view products by [ODU manufacturer](#):

Other Similar products are found below :

[60963](#) [60964](#) [M83513/19-F01CP](#) [703000D02F2002](#) [703000D02F300](#) [703001D02F0602](#) [703001D02F300](#) [704000D02F120](#) [773032K02F030](#)
[802027107404-1](#) [802027213811-1](#) [804001A09M150](#) [805001A09M0502](#) [84914-0235](#) [84914-0237](#) [885030A09M020](#) [1200651332](#)
[1200651713](#) [1200660844](#) [1200660845](#) [1200661173](#) [1200680071](#) [1200720053](#) [1200720081](#) [1200720099](#) [1200720217](#) [1200800231](#)
[1200860125](#) [1200870123](#) [1200980102](#) [1200650267](#) [1200650298](#) [1200660183](#) [1200660782](#) [1200660849](#) [1200661295](#) [1200661297](#)
[1200661342](#) [1200661343](#) [1200670080](#) [1200670220](#) [1200680331](#) [1200720252](#) [1200730184](#) [1200860344](#) [1200870359](#) [1200870643](#)
[1200980008](#) [1200980031](#) [1210502211](#)