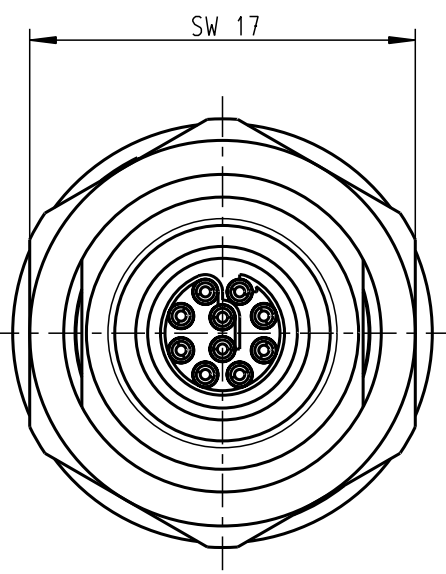
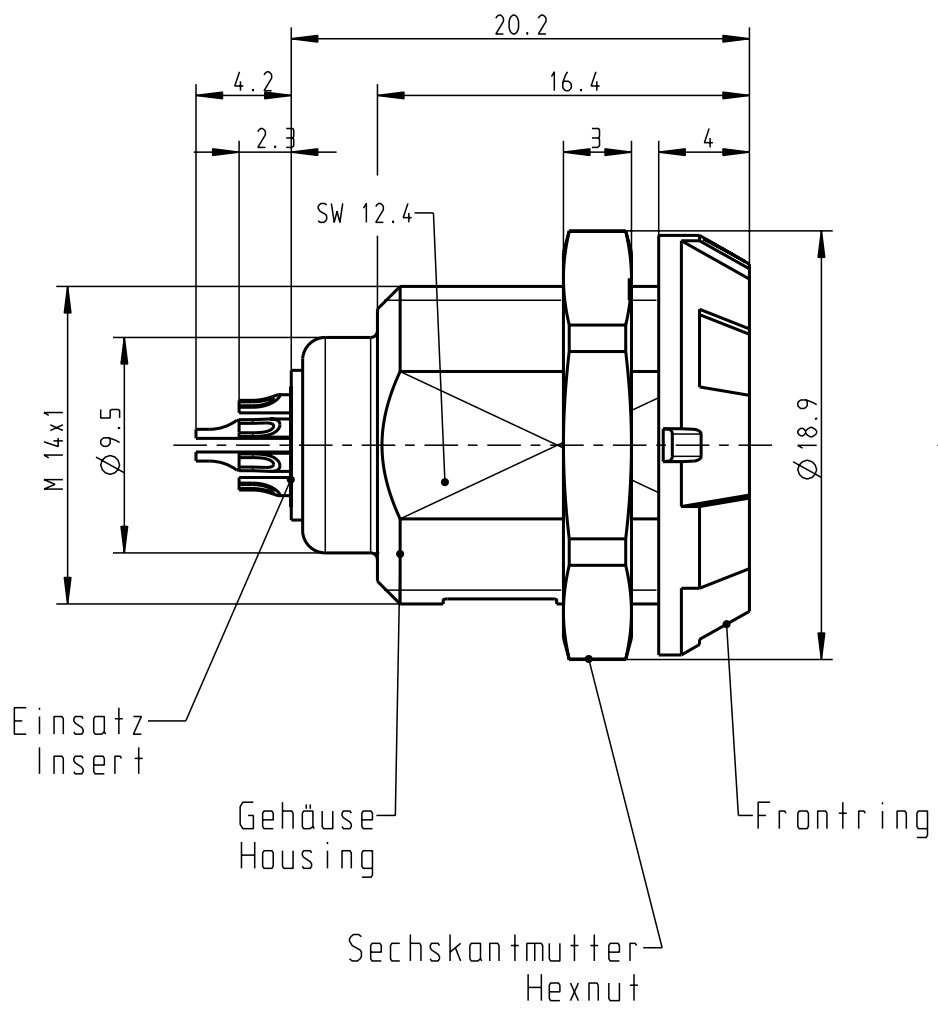
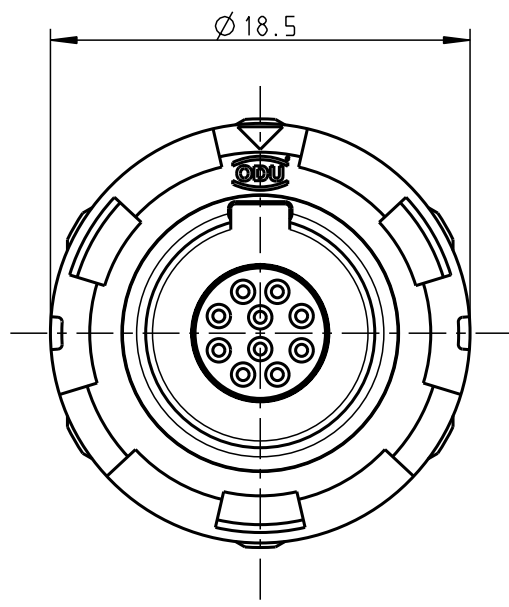


For these drawings, all rights reserved. For the use of these drawings, all rights reserved. For the use of these drawings, all rights reserved.

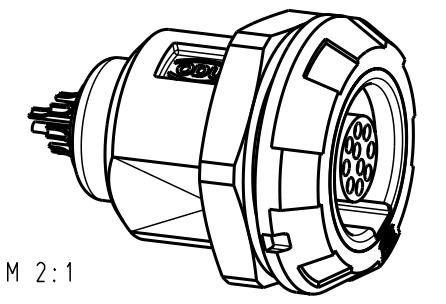
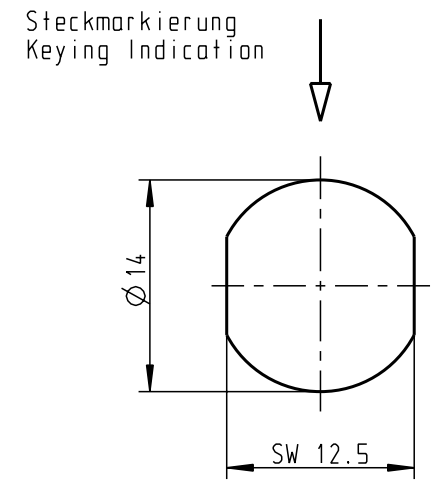
For these drawings, all rights reserved. For the use of these drawings, all rights reserved. For the use of these drawings, all rights reserved.

For these drawings, all rights reserved. For the use of these drawings, all rights reserved. For the use of these drawings, all rights reserved.

CAD: Pro/ENGINEER



Montagebohrung Panel Cutout



M 2:1

Technische Daten/Technical Data:

Werkstoffe/Materials: Gehäuse/Housing:	PSU grau PSU grey	KontaktØ / ContactØ:	Ø 0.5 mm
Kontakte/Contacts:	Cu-Legierung /Cu-alloy	Anschluß/Termination:	0.08mm ² AWG 28
Isolierkörper/Insulation Body:	PEEK	Löt/Solder	
Oberflächen/Surfaces: Gehäuse/Housing:		Prüfspannung/Test Voltage:	1.35 kV DC (SAE AS 13441)
Kontakte/Contacts:	gal. Au	Strambelastung/Current Load:	5 A
Schutzart im gesteckten Zustand: IP 50 /Protection Class in mated condition		Einzelkontakte/single contacts	2.75 A
		10-polig / 10-pos.:	(IEC 512-3 / VDE 0298 T4)

G11M07-P10LCC0-0020	rot / red
G11M07-P10LCC0-0030	weiß / white
G11M07-P10LCC0-0040	gelb / yellow
G11M07-P10LCC0-0050	grün / green
G11M07-P10LCC0-0060	blau / blue
G11M07-P10LCC0-0070	grau / grey
G11M07-P10LCC0-0080	schwarz / black
Artikelnummer Partnumber	Farbe Frontring Colour Frontring

Maße ohne Toleranzangabe nach DIN ISO 2768		Rohteil:		Rohgew.:	PE-Modell-Nr.:
2002 Tag		Name		CAD-Nr.:	Bl.:
Bearb. 28.02.		Braun F.		00019533	
Gepr.				Benennung:	
Norm.				Geräteteil Receptacle	
a ----- 09.05.08 C. Brey		Zeichnungs Nr.:		Maßstab:	
And-zust.		Aend.-Mitt.		Datum	
		Name		G11M07-P10LCC0-00.0	
		otto dunkel gmbh		Ersatz für:	
				Vervielf. Pause	
				Nr.:	

X-ON Electronics

Largest Supplier of Electrical and Electronic Components

Click to view similar products for [Circular Push Pull Connectors](#) category:

Click to view products by [ODU manufacturer](#):

Other Similar products are found below :

[6407-249V-11273P](#) [6408-201V-13273](#) [6408-202V-13343](#) [6408-202V-17343](#) [EZG.0B.309.CLN](#) [FFA.2S.310.ZLA](#) [FGA.1B.307.CYCD72Z](#)
[FGJ.1B.304.CLLD76](#) [FGJ.1B.306.CWLD72](#) [FGJ.2B.302.CYMD82Z](#) [FGJ.3B.304.CYMD10Z](#) [FGJ.3B.304.CYMD82Z](#) [FHG.1B.303.CYCZ](#)
[PCS.01.250.DLLE24](#) [PHG.0K.305.CYMC40Z](#) [PHG.1K.308.CLLK85](#) [PKG.M0.6BL.LZ](#) [PLC.M1.0SL.LA](#) [GMA.10.290.DN](#)
[GMA.3B.090.DA](#) [PRG.M0.6GL.LC52GZ](#) [PSA.1S.275.CTLC66](#) [133020F](#) [1331ER193MZ](#) [1332M107MZ](#) [EAJ.1B.306.CWA](#)
[ECG.XB.312.CLL](#) [1589430-2](#) [ELF.00.250.NTL](#) [BRR.2S.200.PZVG](#) [HR10A-P](#) [CAH.M34.SLL.C72GZ](#) [CAJ.M34.SLL.C72GZ](#) [300500](#)
[EXG.0B.309.HLN](#) [FFA.2E.302.CLAC80Z](#) [FFB.1S.250.CLAC27](#) [FGA.2B.306.CYCD92Z](#) [FGJ.2B.302.CYMD62Z](#) [FGJ.2B.307.CLLD99](#)
[FGJ.3B.308.CLLD72Z](#) [FHG.1B.303.CYCD62](#) [FLC.00.250.CTAC31](#) [PCS.01.250.DLLE31](#) [PHG.2K.310.CYMC80](#) [PKA.M1.0TL.LG](#)
[PKC.M0.7GL.NG](#) [PKG.M0.4TL.LZ](#) [PPG.M1.0GG.N](#) [PRG.M0.4GL.LC39GZ](#)