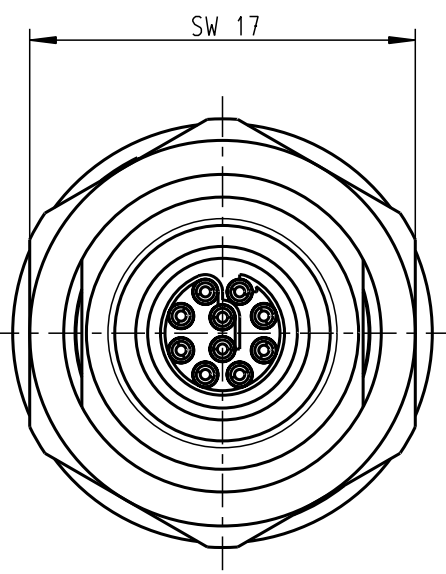
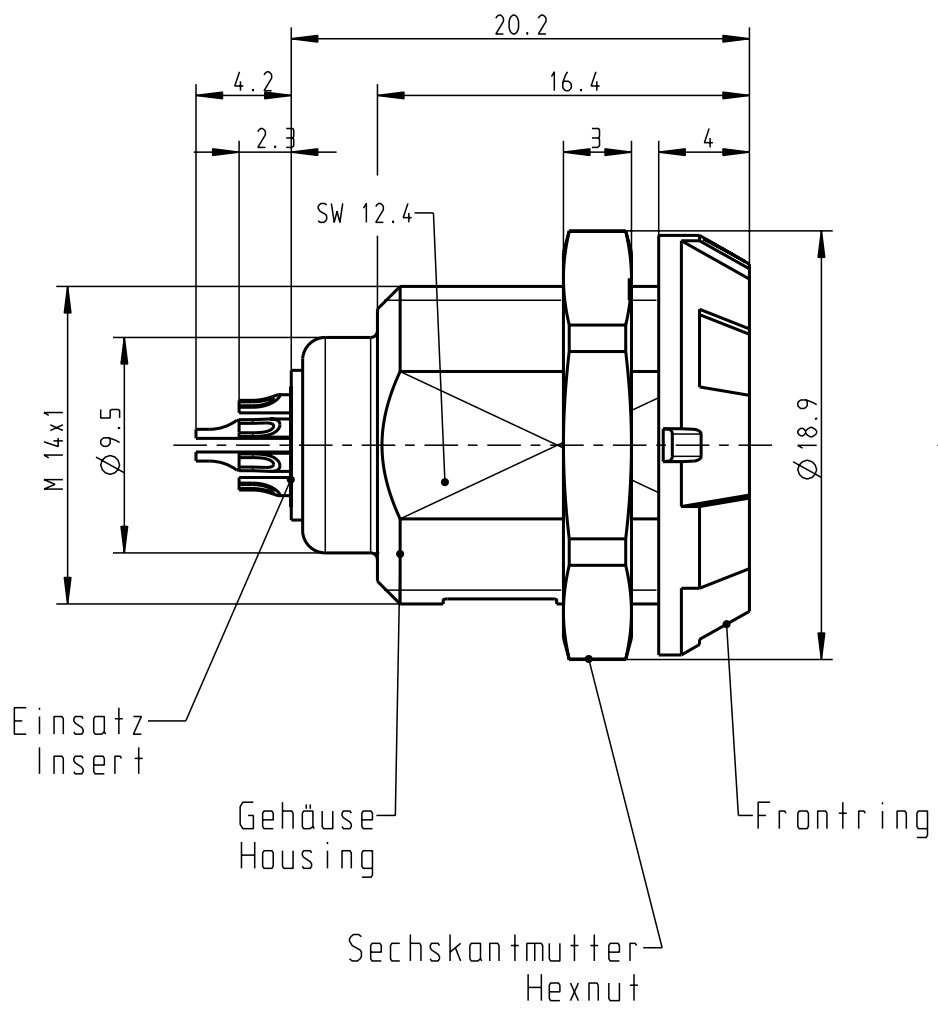
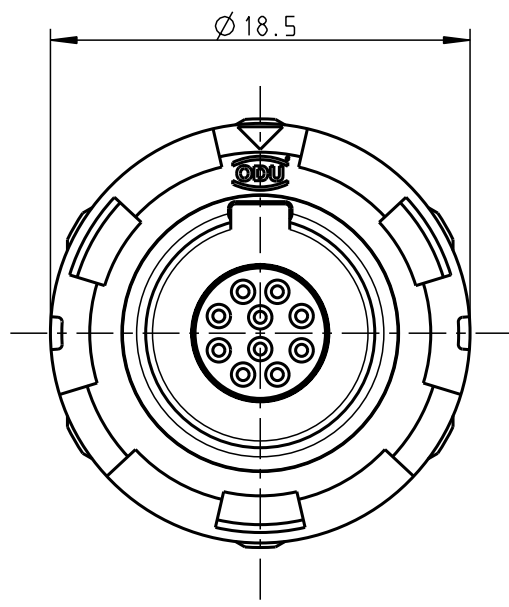


For these drawings, all rights reserved. For the use of these drawings, all rights reserved. For the use of these drawings, all rights reserved.

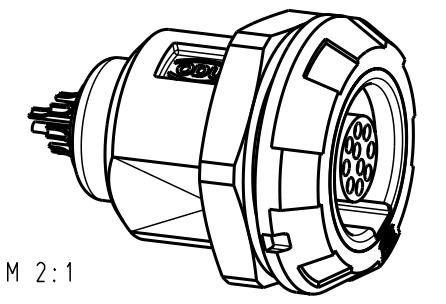
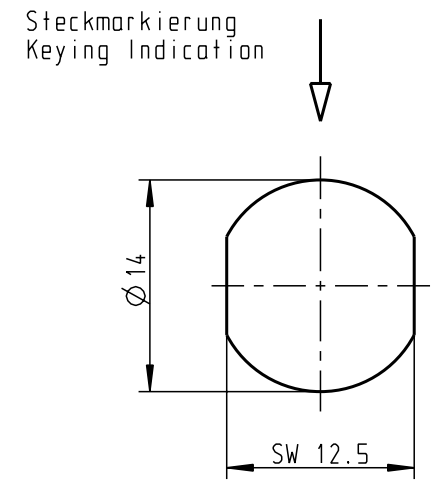
For these drawings, all rights reserved. For the use of these drawings, all rights reserved. For the use of these drawings, all rights reserved.

For these drawings, all rights reserved. For the use of these drawings, all rights reserved. For the use of these drawings, all rights reserved.

CAD: Pro/ENGINEER



### Montagebohrung Panel Cutout



M 2:1

#### Technische Daten/Technical Data:

Werkstoffe/Materials: Gehäuse/Housing:	PSU grau PSU grey	KontaktØ / ContactØ:	Ø 0.5 mm
Kontakte/Contacts:	Cu-Legierung /Cu-alloy	Anschluß/Termination: Löt/Solder	0.08mm <sup>2</sup> AWG 28
Isolierkörper/Insulation Body:	PEEK	Prüfspannung/Test Voltage:	1.35 kV DC (SAE AS 13441)
Oberflächen/Surfaces: Gehäuse/Housing:		Strambelastung/Current Load: Einzelkontakte/single contacts	5 A 2.75 A
Kontakte/Contacts:	gal. Au	10-polig / 10-pos.: (IEC 512-3 / VDE 0298 T4)	
Schutzart im gesteckten Zustand: IP 50 /Protection Class in mated condition			

G11M07-P10LCC0-0020	rot / red
G11M07-P10LCC0-0030	weiß / white
G11M07-P10LCC0-0040	gelb / yellow
G11M07-P10LCC0-0050	grün / green
G11M07-P10LCC0-0060	blau / blue
G11M07-P10LCC0-0070	grau / grey
G11M07-P10LCC0-0080	schwarz / black
Artikelnummer Partnumber	Farbe Frontring Colour Frontring

Maße ohne Toleranzangabe nach DIN ISO 2768		Rohteil:		Rohgew.:	PE-Modell-Nr.:
2002 Tag Name		Benennung:		CAD-Nr.:	Bl.:
Bearb. 28.02. Braun F.		Geräteteil Receptacle		00019533	
Gepr. Norm.		Zeichnungs Nr.:		Maßstab:	
a ----- 09.05.08 C. Brey		G11M07-P10LCC0-00.0		3:1	
And-zust. Aend.-Mitt. Datum Name		Ersatz für:		Vervielf. Pause	
		otto dunkel gmbh		Nr.:	

## X-ON Electronics

Largest Supplier of Electrical and Electronic Components

*Click to view similar products for [Circular Push Pull Connectors](#) category:*

*Click to view products by [ODU manufacturer](#):*

Other Similar products are found below :

[6407-249V-11273P](#) [6408-201V-13273](#) [6408-202V-13343](#) [6408-202V-17343](#) [EZG.0B.309.CLN](#) [FFA.2S.310.ZLA](#) [FGA.1B.307.CYCD72Z](#)  
[FGJ.1B.304.CLLD76](#) [FGJ.1B.306.CWLD72](#) [FGJ.2B.302.CYMD82Z](#) [FGJ.3B.304.CYMD10Z](#) [FGJ.3B.304.CYMD82Z](#) [FHG.1B.303.CYCZ](#)  
[PCS.01.250.DLLE24](#) [PHG.0K.305.CYMC40Z](#) [PHG.1K.308.CLLK85](#) [PKG.M0.6BL.LZ](#) [PLC.M1.0SL.LA](#) [GMA.10.290.DN](#)  
[GMA.3B.090.DA](#) [PRG.M0.6GL.LC52GZ](#) [PSA.1S.275.CTLC66](#) [133020F](#) [1331ER193MZ](#) [1332M107MZ](#) [EAJ.1B.306.CWA](#)  
[ECG.XB.312.CLL](#) [1589430-2](#) [ELF.00.250.NTL](#) [BRR.2S.200.PZVG](#) [HR10A-P](#) [CAH.M34.SLL.C72GZ](#) [CAJ.M34.SLL.C72GZ](#) [300500](#)  
[EXG.0B.309.HLN](#) [FFA.2E.302.CLAC80Z](#) [FFB.1S.250.CLAC27](#) [FGA.2B.306.CYCD92Z](#) [FGJ.2B.302.CYMD62Z](#) [FGJ.2B.307.CLLD99](#)  
[FGJ.3B.308.CLLD72Z](#) [FHG.1B.303.CYCD62](#) [FLC.00.250.CTAC31](#) [PCS.01.250.DLLE31](#) [PKA.M1.0TL.LG](#) [PKC.M0.7GL.NG](#)  
[PKG.M0.4TL.LZ](#) [PPG.M1.0GG.N](#) [PRG.M0.4GL.LC39GZ](#) [PXG.M0.8GG.NG](#)