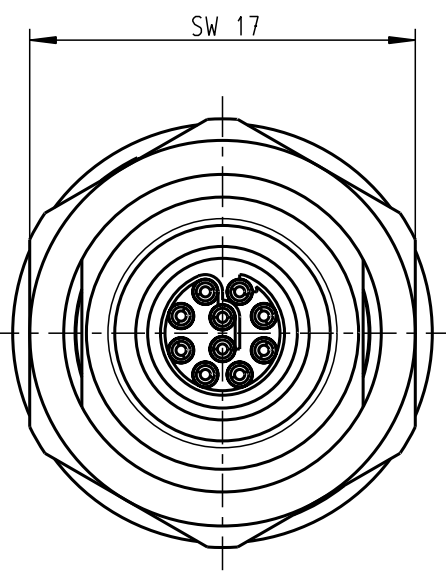
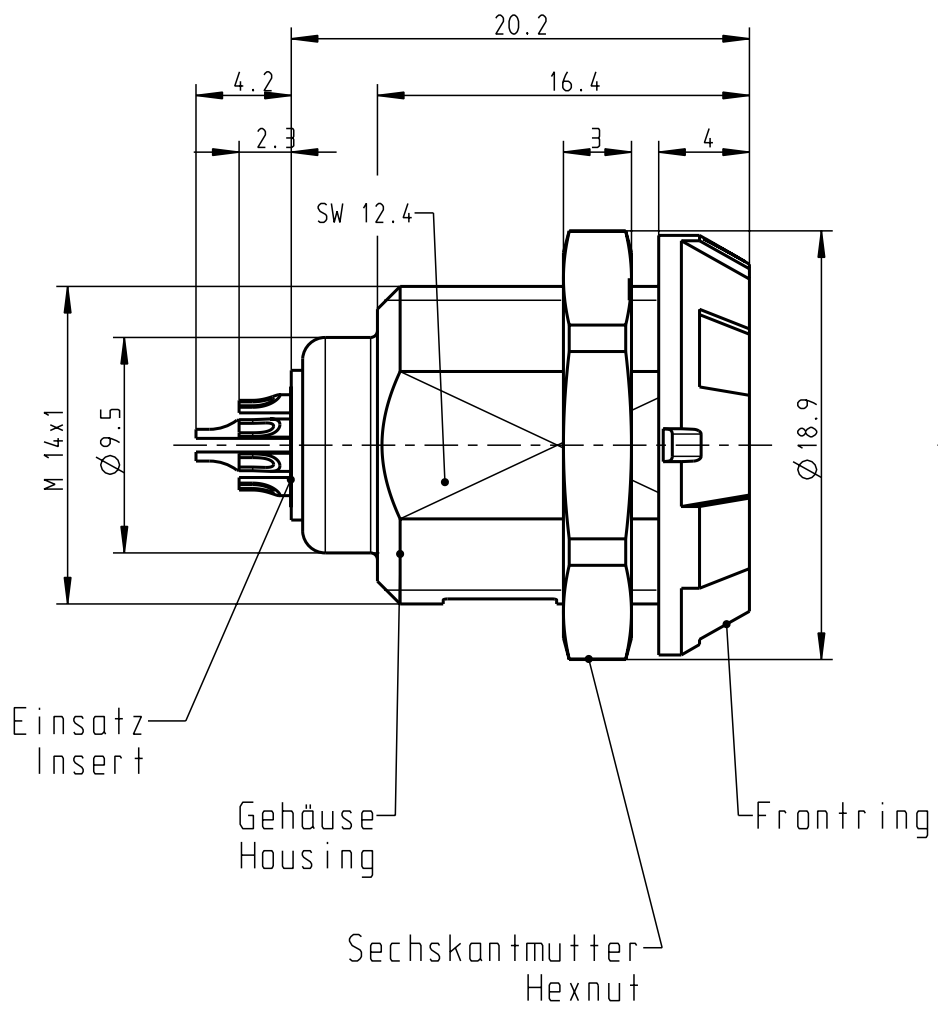
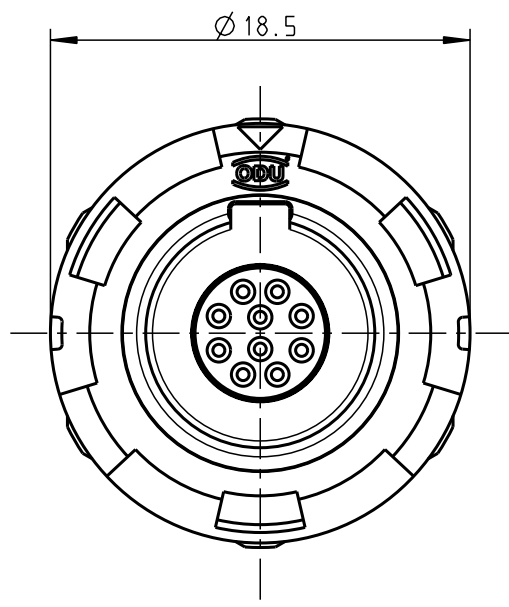


For these drawings, all rights reserved. For the use of these drawings, all rights reserved. For the use of these drawings, all rights reserved.

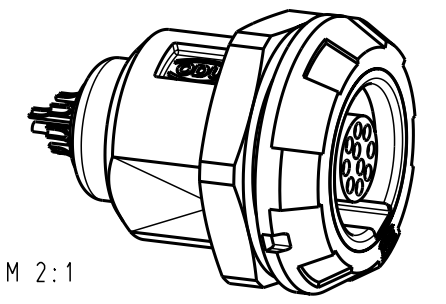
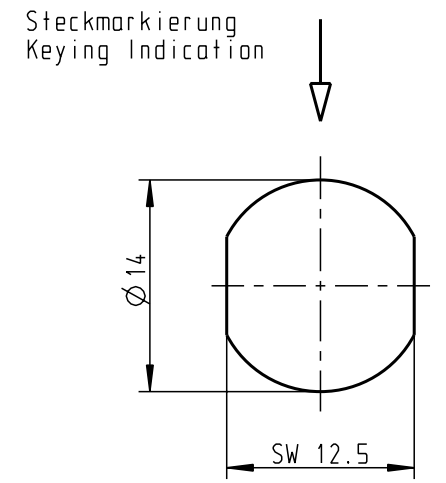
For these drawings, all rights reserved. For the use of these drawings, all rights reserved. For the use of these drawings, all rights reserved.

For these drawings, all rights reserved. For the use of these drawings, all rights reserved. For the use of these drawings, all rights reserved.

CAD: Pro/ENGINEER



Montagebohrung Panel Cutout



M 2:1

Technische Daten/Technical Data:

| | | | |
|---|---------------------------|--|-------------------------------|
| Werkstoffe/Materials: Gehäuse/Housing: | PSU grau PSU grey | KontaktØ / ContactØ: | Ø 0.5 mm |
| Kontakte/Contacts: | Cu-Legierung /Cu-alloy | Anschluß/Termination: Löt/Solder | 0.08mm ² AWG 28 |
| Isolierkörper/Insulation Body: | PEEK | Prüfspannung/Test Voltage: | 1.35 kV DC (SAE AS 13441) |
| Oberflächen/Surfaces: Gehäuse/Housing: | | Strambelastung/Current Load: Einzelkontakte/single contacts | 5 A 2.75 A |
| Kontakte/Contacts: | gal. Au | 10-polig / 10-pos.: (IEC 512-3 / VDE 0298 T4) | |
| Schutzart im gesteckten Zustand: IP 50 /Protection Class in mated condition | | | |

| | |
|-----------------------------|-------------------------------------|
| G11M07-P10LCC0-0020 | rot / red |
| G11M07-P10LCC0-0030 | weiß / white |
| G11M07-P10LCC0-0040 | gelb / yellow |
| G11M07-P10LCC0-0050 | grün / green |
| G11M07-P10LCC0-0060 | blau / blue |
| G11M07-P10LCC0-0070 | grau / grey |
| G11M07-P10LCC0-0080 | schwarz / black |
| Artikelnummer Partnumber | Farbe Frontring Colour Frontring |

| | | | | | |
|--|--|------------------------|--|--------------------------|----------------|
| Maße ohne Toleranzangabe nach DIN ISO 2768 | | Rohteil: | | Rohgew.: | PE-Modell-Nr.: |
| 2002 Tag | | Name | | CAD-Nr.: | Bl.: |
| Bearb. 28.02. | | Braun F. | | 00019533 | |
| Gepr. | | | | Benennung: | |
| Norm. | | | | Geräteteil Receptacle | |
| a ----- 09.05.08 C. Brey | | Zeichnungs Nr.: | | Maßstab: | |
| And-zust. | | Aend.-Mitt. Datum Name | | 3:1 | |
| | | otto dunkel gmbh | | Ersatz für: | |
| | | | | G11M07-P10LCC0-00.0 | |
| | | | | Vervielf. Pause | |
| | | | | Nr.: | |

X-ON Electronics

Largest Supplier of Electrical and Electronic Components

Click to view similar products for [Circular Push Pull Connectors](#) category:

Click to view products by [ODU](#) manufacturer:

Other Similar products are found below :

[6407-249V-11273P](#) [6408-201V-13273](#) [6408-202V-13343](#) [6408-202V-17343](#) [EZG.0B.309.CLN](#) [FFA.2S.310.ZLA](#) [FGA.1B.307.CYCD72Z](#)
[FGJ.1B.304.CLLD76](#) [FGJ.1B.306.CWLD72](#) [FGJ.2B.302.CYMD82Z](#) [FGJ.3B.304.CYMD10Z](#) [FGJ.3B.304.CYMD82Z](#) [FHG.1B.303.CYCZ](#)
[PCS.01.250.DLLE24](#) [PHG.0K.305.CYMC40Z](#) [PHG.1K.308.CLLK85](#) [PKG.M0.6BL.LZ](#) [PLC.M1.0SL.LA](#) [GMA.10.290.DN](#)
[GMA.3B.090.DA](#) [PRG.M0.6GL.LC52GZ](#) [PSA.1S.275.CTLC66](#) [133020F](#) [1331ER193MZ](#) [1332M107MZ](#) [EAJ.1B.306.CWA](#)
[ECG.XB.312.CLL](#) [1589430-2](#) [ELF.00.250.NTL](#) [BRR.2S.200.PZVG](#) [HR10A-P](#) [CAH.M34.SLL.C72GZ](#) [CAJ.M34.SLL.C72GZ](#) [300500](#)
[EXG.0B.309.HLN](#) [FFA.2E.302.CLAC80Z](#) [FFB.1S.250.CLAC27](#) [FGA.2B.306.CYCD92Z](#) [FGJ.2B.302.CYMD62Z](#) [FGJ.2B.307.CLLD99](#)
[FGJ.3B.308.CLLD72Z](#) [FHG.1B.303.CYCD62](#) [FLC.00.250.CTAC31](#) [PCS.01.250.DLLE31](#) [PKA.M1.0TL.LG](#) [PKC.M0.7GL.NG](#)
[PKG.M0.4TL.LZ](#) [PPG.M1.0GG.N](#) [PRG.M0.4GL.LC39GZ](#) [PXG.M0.8GG.NG](#)