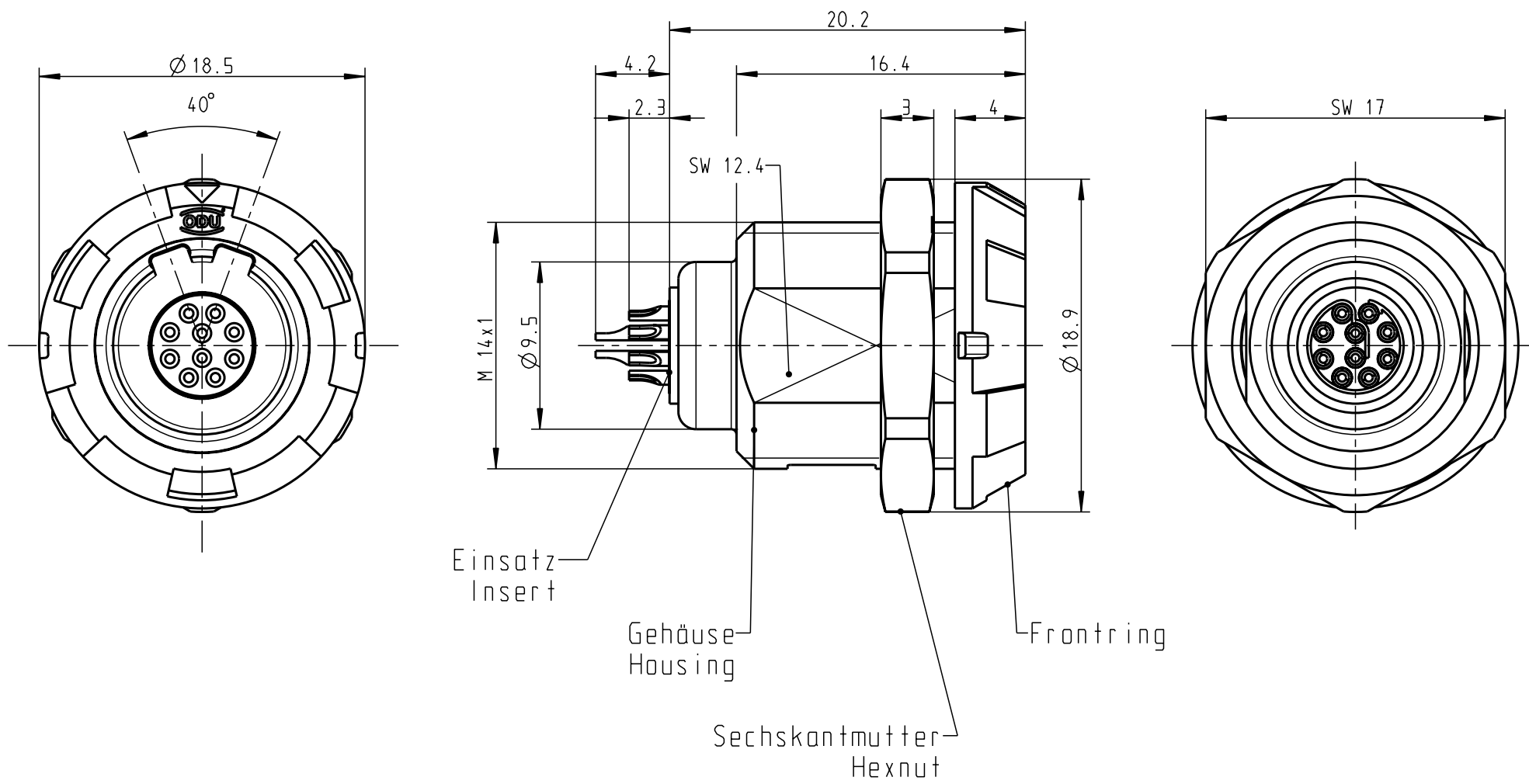


For these drawings, we reserve all rights, including the right to use the drawings for other purposes without our consent. The drawings are the property of ODU and shall not be distributed, copied, or otherwise used without our written permission.

For these drawings, we reserve all rights, including the right to use the drawings for other purposes without our consent. The drawings are the property of ODU and shall not be distributed, copied, or otherwise used without our written permission.

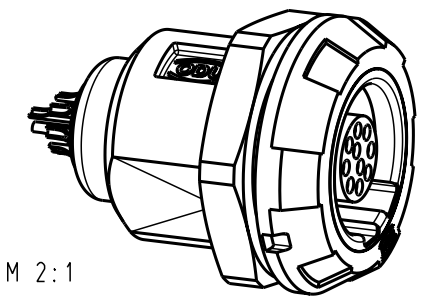
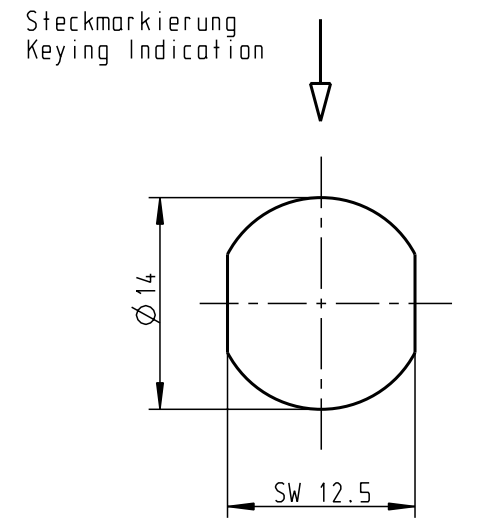
All rights reserved, including possible patents or trademarks. Documents shall not be provided to a third party or duplicated in any form without prior written permission.

CAD: Pro/ENGINEER



Einsatz Insert  
 Gehäuse Housing  
 Frontring  
 Sechskantmutter Hexnut

### Montagebohrung Panel Cutout



### Technische Daten/Technical Data:

Werkstoffe/Materials: PSU grau / PSU grey  
 Gehäuse/Housing: PSU grau / PSU grey  
 Kontakte/Contacts: Cu-Legierung / Cu-alloy  
 Isolierkörper/Insulation Body: PEEK

Kontakt $\varnothing$  / Contact $\varnothing$ :  $\varnothing 0.5 \text{ mm}$   
 Anschluß/Termination:  $0.08 \text{ mm}^2$   
 Löt/Solder: AWG 28

Prüfspannung/Test Voltage: 1.35 kV dc (SAE AS 13441)

Strambelastung/Current Load: 5 A  
 Einzelkontakte/single contacts: 2.75 A  
 10-polig / 10-pos.: (IEC 512-3 / VDE 0298 T4)

Kontakte/Contacts: gal. Au

Schutzart im gesteckten Zustand: IP 50  
 /Protection Class in mated condition

G11MA7-P10LCC0-0020	rot / red
G11MA7-P10LCC0-0030	weiß / white
G11MA7-P10LCC0-0040	gelb / yellow
G11MA7-P10LCC0-0050	grün / green
G11MA7-P10LCC0-0060	blau / blue
G11MA7-P10LCC0-0070	grau / grey
G11MA7-P10LCC0-0080	schwarz / black
Artikelnummer Partnumber	Farbe Frontring Colour Frontring

Maße ohne Toleranzangabe nach DIN ISO 2768		Rohteil:		Rohgew.:	PE-Modell-Nr.: 00019533
2002 Tag Name		Benennung:		CAD-Nr.: 00021396	Bl.:
Bearb. 01.10. Gepr. Norm.		Braun F.		Geräteteil Receptacle	
a ----- 09.05.08 C. Brey		Zeichnungs Nr.:		Maßstab: 3:1	
And-zust. Aend.-Mitt. Datum Name		otto dunkel gmbh		G11MA7-P10LCC0-00.0	
		Ersatz für:		Vervielf. Pause	
				Nr.:	

## X-ON Electronics

Largest Supplier of Electrical and Electronic Components

*Click to view similar products for [Circular Push Pull Connectors](#) category:*

*Click to view products by [ODU manufacturer](#):*

Other Similar products are found below :

[6407-249V-11273P](#) [6408-201V-13273](#) [6408-202V-13343](#) [6408-202V-17343](#) [EZG.0B.309.CLN](#) [FFA.2S.310.ZLA](#) [FGA.1B.307.CYCD72Z](#)  
[FGJ.1B.304.CLLD76](#) [FGJ.1B.306.CWLD72](#) [FGJ.2B.302.CYMD82Z](#) [FGJ.3B.304.CYMD10Z](#) [FGJ.3B.304.CYMD82Z](#) [FHG.1B.303.CYCZ](#)  
[PCS.01.250.DLLE24](#) [PHG.0K.305.CYMC40Z](#) [PHG.1K.308.CLLK85](#) [PKG.M0.6BL.LZ](#) [PLC.M1.0SL.LA](#) [GMA.10.290.DN](#)  
[GMA.3B.090.DA](#) [PRG.M0.6GL.LC52GZ](#) [PSA.1S.275.CTLC66](#) [133020F](#) [1331ER193MZ](#) [1332M107MZ](#) [EAJ.1B.306.CWA](#)  
[ECG.XB.312.CLL](#) [1589430-2](#) [ELF.00.250.NTL](#) [BRR.2S.200.PZVG](#) [HR10A-P](#) [CAH.M34.SLL.C72GZ](#) [CAJ.M34.SLL.C72GZ](#) [300500](#)  
[EXG.0B.309.HLN](#) [FFA.2E.302.CLAC80Z](#) [FFB.1S.250.CLAC27](#) [FGA.2B.306.CYCD92Z](#) [FGJ.2B.302.CYMD62Z](#) [FGJ.2B.307.CLLD99](#)  
[FGJ.3B.308.CLLD72Z](#) [FHG.1B.303.CYCD62](#) [FLC.00.250.CTAC31](#) [PCS.01.250.DLLE31](#) [PKA.M1.0TL.LG](#) [PKC.M0.7GL.NG](#)  
[PKG.M0.4TL.LZ](#) [PPG.M1.0GG.N](#) [PRG.M0.4GL.LC39GZ](#) [PXG.M0.8GG.NG](#)