

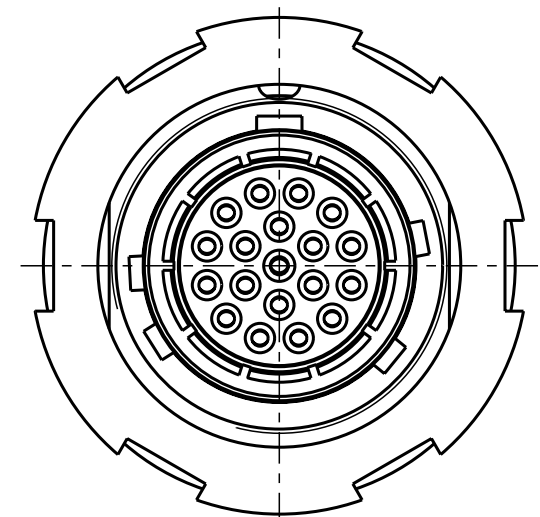
Für diese Unterlage behalten wir uns alle Rechte vor, auch für den Fall der Patentierung oder Gebrauchsmusteranmeldung. Sie darf ohne unsere vorherige schriftliche Zustimmung weder vervielfältigt noch sonstwie benutzt, noch Drillingen zugänglich gemacht werden.

Nur rot gestempelte oder auf Laufr Karte gedruckte Dokumente unterliegen dem Änderungsdienst und sind zur Fertigung freigegeben. Only red stamped or on job card printed documents are managed. These documents are approved for production.

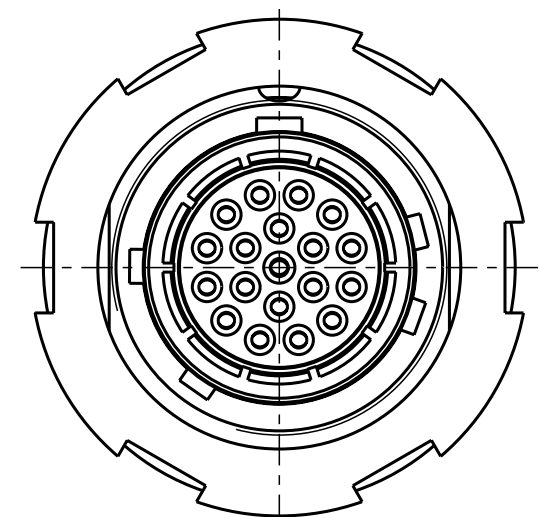
All Rights reserved, including possible patents or trademarks. Documents shall not be provided to a third party or duplicated in any form without prior written permission.

CAD: Pro/ENGINEER

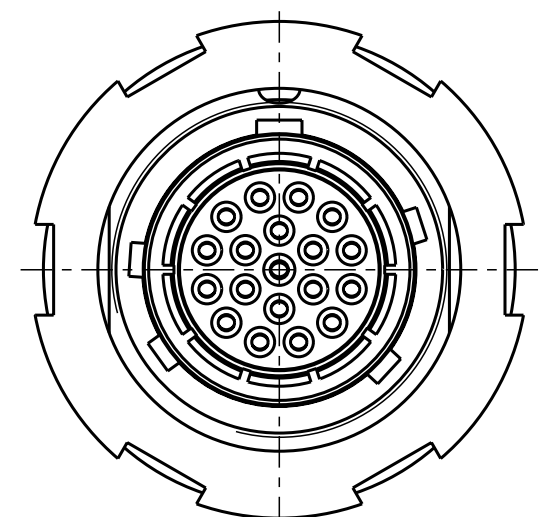
Additional coding
View in direction A



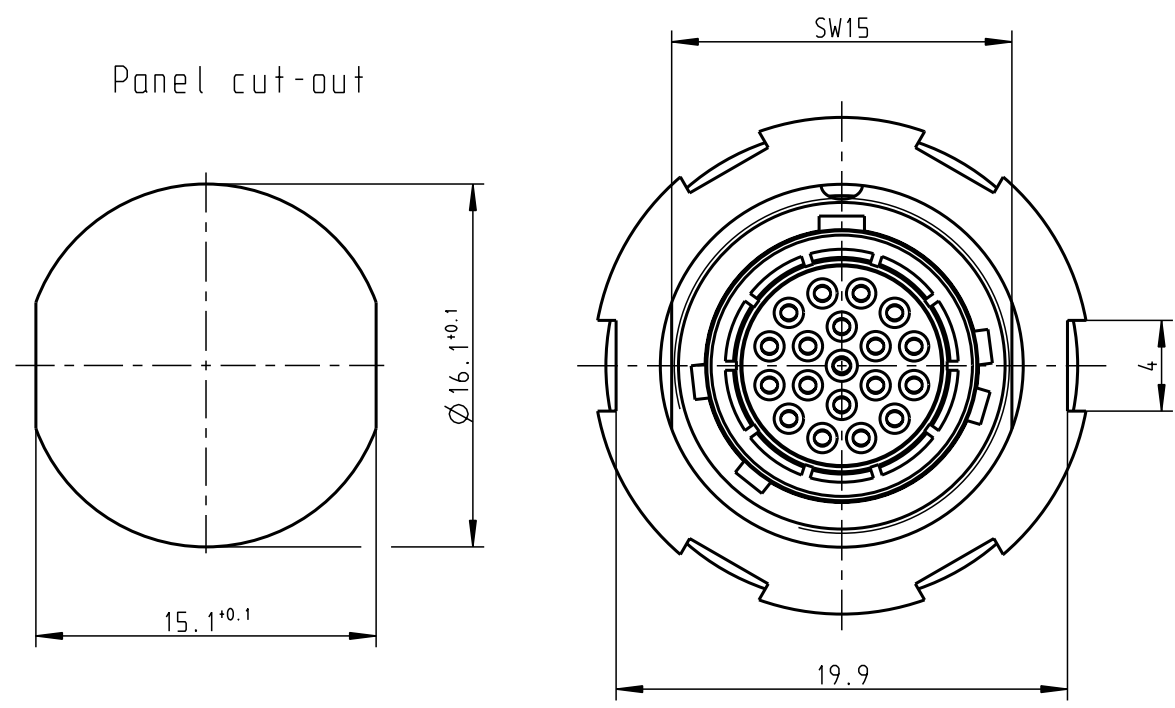
G82YBR-P19UF00-000L
Mechanical coding: B
Color coding: red



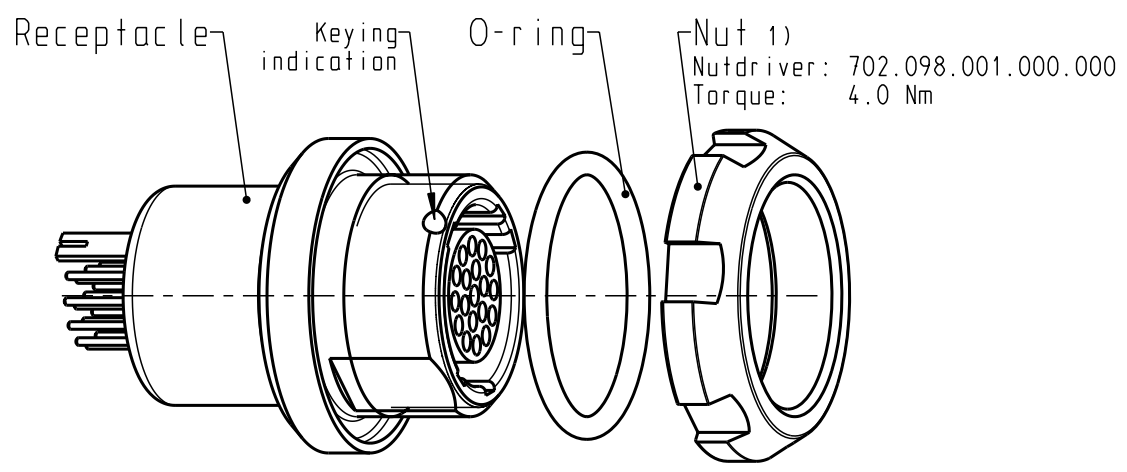
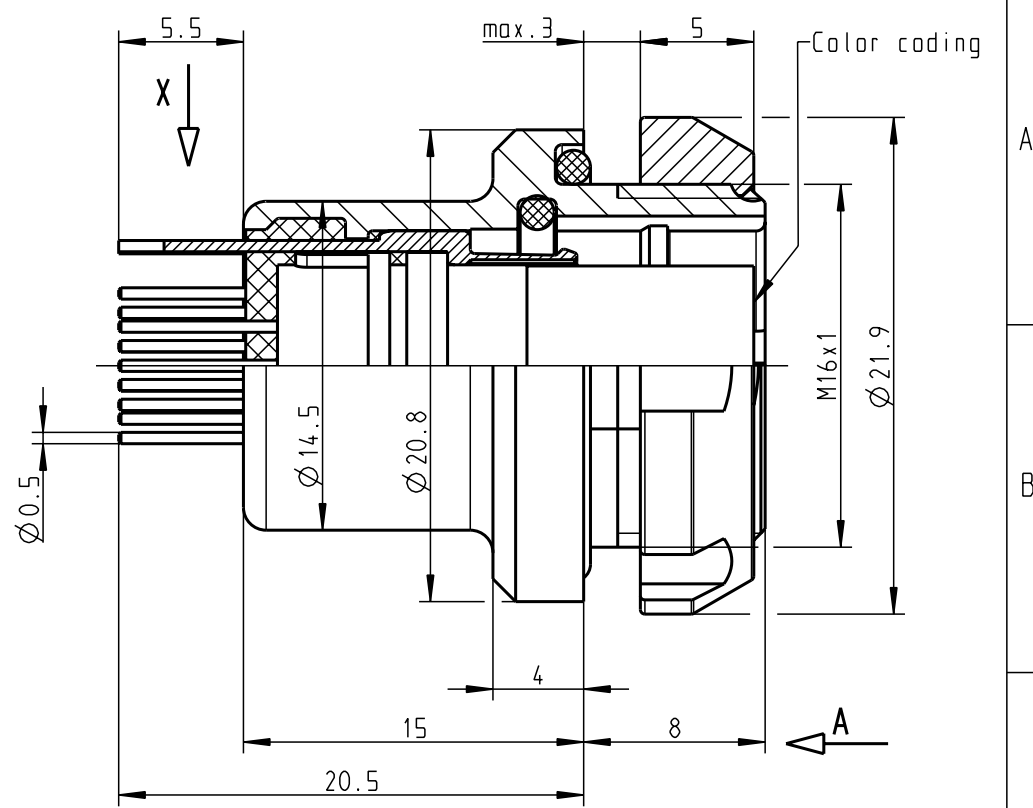
G82YCR-P19UF00-000L
Mechanical coding: C
Color coding: blue



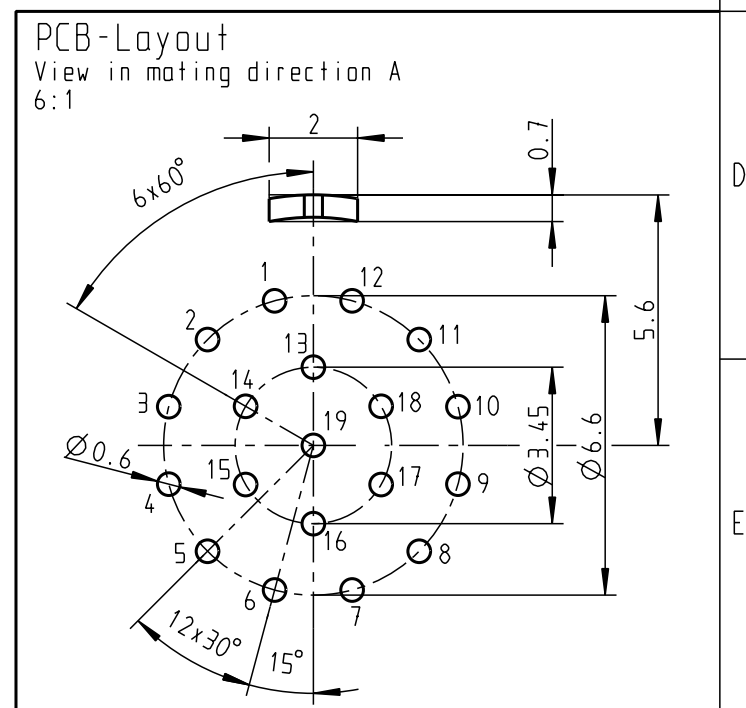
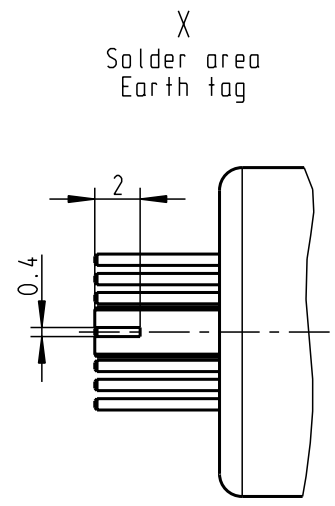
G82YDR-P19UF00-000L
Mechanical coding: D
Color coding: green



G82YAR-P19UF00-000L
Mechanical coding: A
Color coding: light brown



Delivery condition
2:1



Technical information

- Print contacts
- Current load: 7A@Δ+40° (Single contact)
3.15A@Δ+40° (Insert)
- Test voltage: 1000V (acc. SAE AS 13441:1998, Contact to contact)
- Rated voltage: 333V (acc. SAE AS 13441:1998) 2)

- For more technical information and accessories see catalogue (www.odu.de/amc)

- 1) ODU recommend an additional locking of the nut with adhesive (e.g. Loctite 2701) to the screw thread.
- 2) Maximal operating voltage at sea level up to 2.000m. Rated voltage applies no other electrical safety standard. In case other standards rule a specific use of the connector, the application specific safety criteria shall be considered first. This must be evaluated in the frame of equipment engineering.

All shown connectors are according to DIN EN 61984:2009 connectors without breaking capacity (COC)!

				Dimensions without tolerances acc. to middle DIN ISO 2768		PE-modell-nr.:	
				2012 date name		CAD-nr.: 00051458 sheet.:	
				prep. 16.03. M. Meier		designation: Receptacle style 8 AMC Standard Version scale: 3:1	
				app.		drawing nr.: G82Y.R-P19UF00-000L copy	
				norm.		replacement for: nr.	
index	notice	date	name	ODU otto dunkel gmbh			

X-ON Electronics

Largest Supplier of Electrical and Electronic Components

Click to view similar products for [Circular Push Pull Connectors](#) category:

Click to view products by [ODU manufacturer](#):

Other Similar products are found below :

[6407-249V-11273P](#) [6408-201V-13273](#) [6408-202V-13343](#) [6408-202V-17343](#) [FAG.2B.319.CYC](#) [FGA.1B.307.CYCD72Z](#)
[FGC.0B.309.CLAD56](#) [FLS.01.250.DLAE24](#) [PFG.1B.308.CYZZ](#) [PKG.M0.6BL.LZ](#) [PLC.M1.0SL.LA](#) [GMA.2B.045.DJ](#) [GMA.3B.090.DA](#)
[PRG.M0.6GL.LC52GZ](#) [ABF.1S.250.NTA](#) [1332M107MS](#) [EAJ.1B.306.CWA](#) [1589430-2](#) [ELF.00.250.NTL](#) [ERA.01.250.DLL](#)
[BRD.0B.200.PCSG](#) [HVP.03.250.CLLPV](#) [CAH.M34.SLL.C72GZ](#) [CAJ.M34.SLL.C72GZ](#) [300500](#) [EXG.0B.309.HLN](#) [FFB.1S.250.CLAC27](#)
[FLC.00.250.CTAC31](#) [FPG.0B.305.CLAD52](#) [PCS.01.250.DLLE31](#) [PKC.M0.7GL.NG](#) [PKG.M0.4TL.LZ](#) [PXG.M0.8GG.NG](#)
[HEG.1B.307.CLNP](#) [BRR.3S.200.PZVG](#) [JDXEP2T19FSN](#) [400374](#) [DTA.99.700.5Z](#) [ECG.00.304.CLL](#) [ECP.0S.304.CLN](#) [EEG.1B.306.CYZ](#)
[MS3117-12BU](#) [EGA.00.303.CLL](#) [SAN.M13.GLA.6G](#) [6408-201V-11343](#) [6408-202V-25273](#) [PAC.M0.4NL.AC52J](#) [980-0009-471](#)
[NCG044SC2DC006](#) [13303PM20](#)