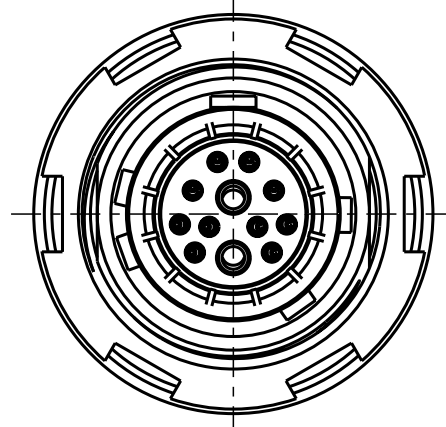
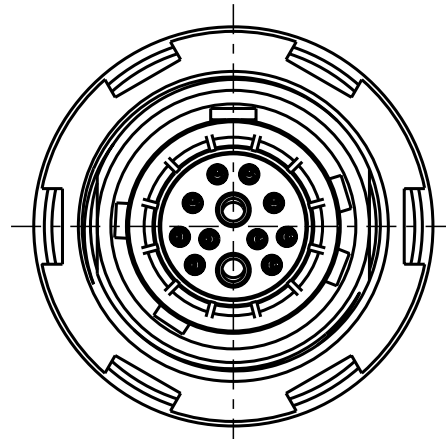


For these Unterlage behalten wir uns alle Rechte vor, auch für den Fall der Patentverletzung oder Gebrauchsmusterinfraktion. Sie darf ohne unsere vorherige schriftliche Zustimmung weder vervielfältigt noch sonstwie benutzt, nach Dritten zugänglich gemacht werden.
 Nur rot gestempelte oder auf Lauffkarte gedruckte Dokumente unterliegen dem Änderungsdienst und sind zur Fertigung freigegeben. Only red stamped or on jobcard printed documents are managed. These documents are approved for production.
 All rights reserved, including possible patents or trademarks. Documents shall not be provided to a third party or duplicated in any form without prior written permission.

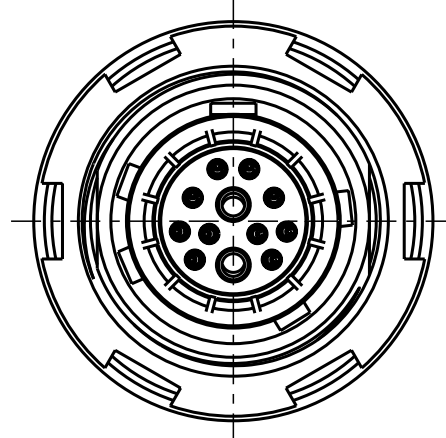
Additional coding
View in direction A
4:1



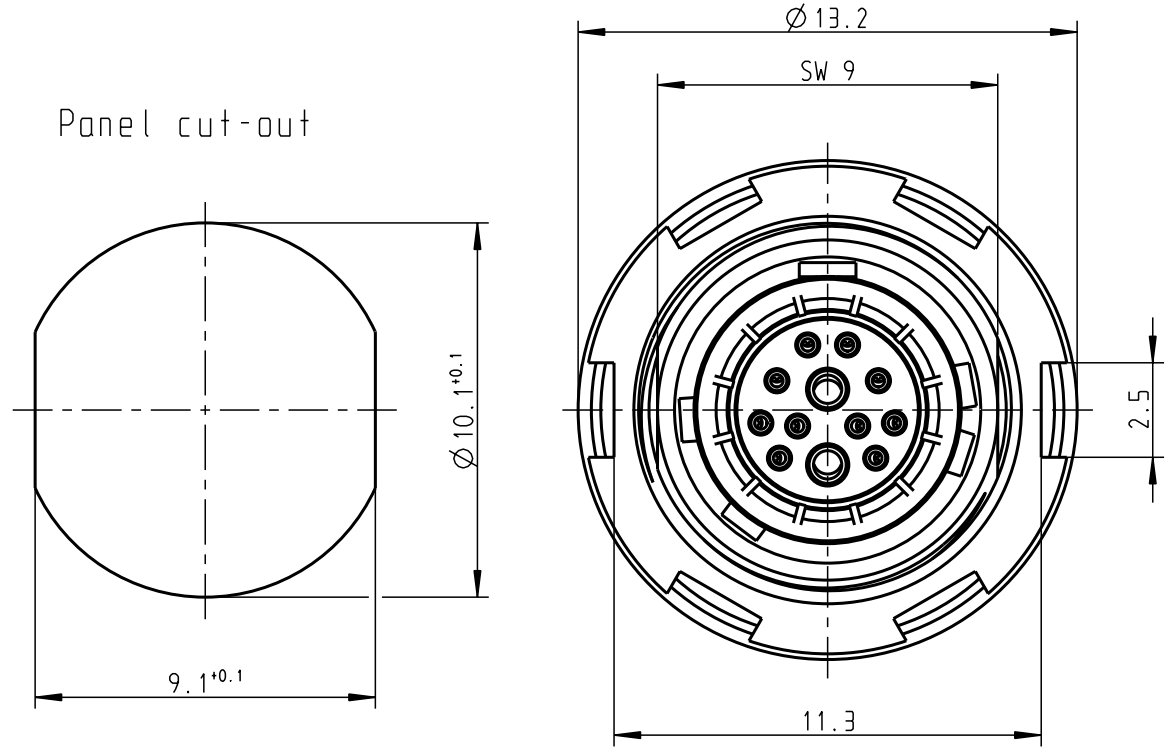
GKOWBM-P12WMMO-000L
Mechanical coding: B
Color coding: red



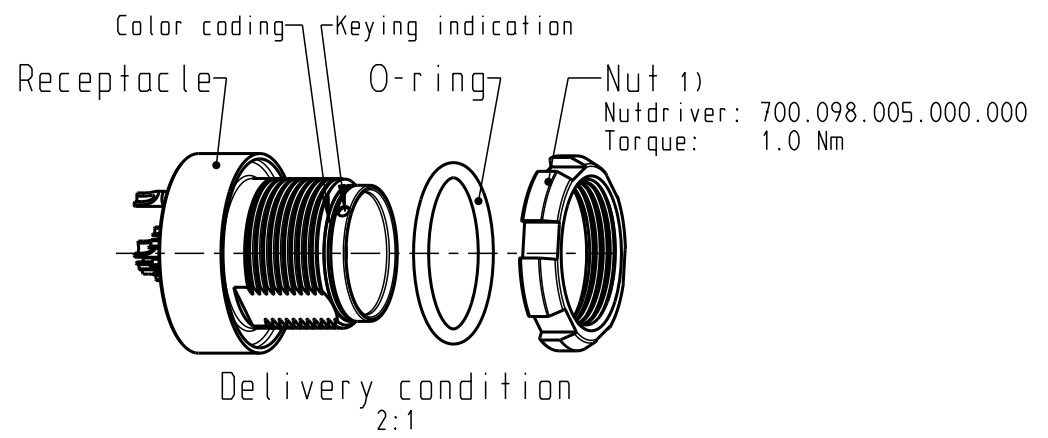
GKOWCM-P12WMMO-000L
Mechanical coding: C
Color coding: blue



GKOWDM-P12WMMO-000L
Mechanical coding: D
Color coding: green



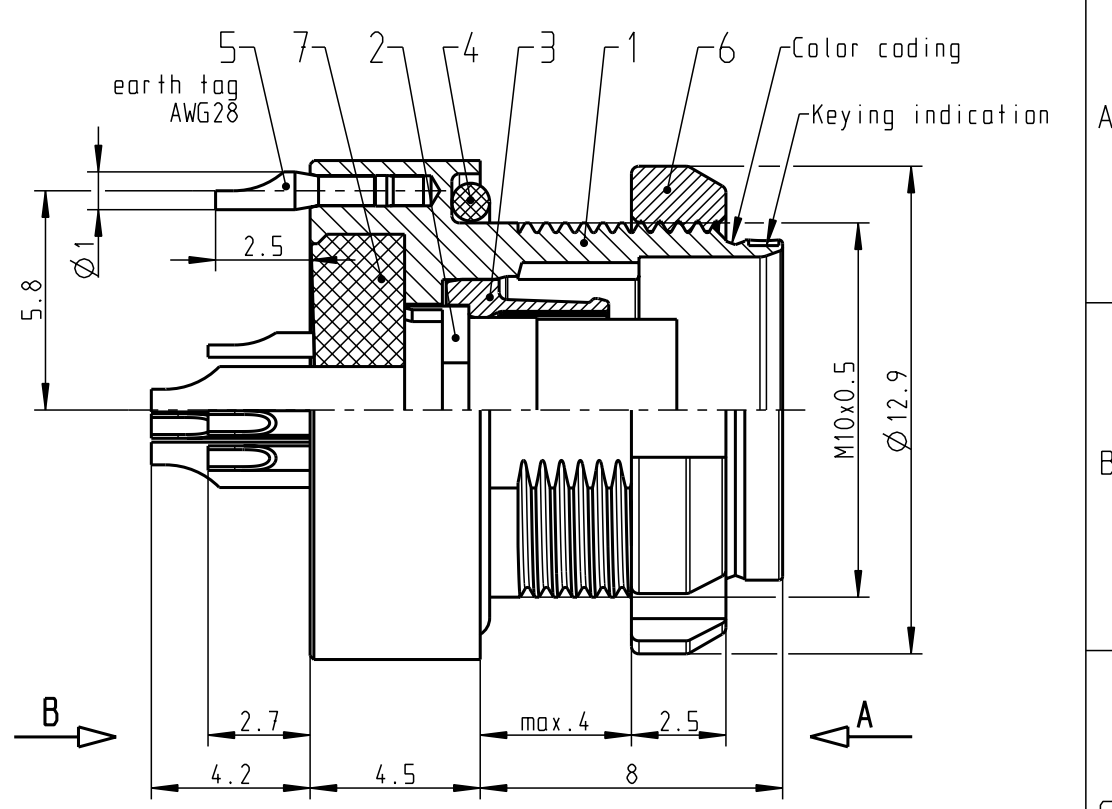
GKOWAM-P12WMMO-000L
Mechanical coding: A
Color coding: light brown



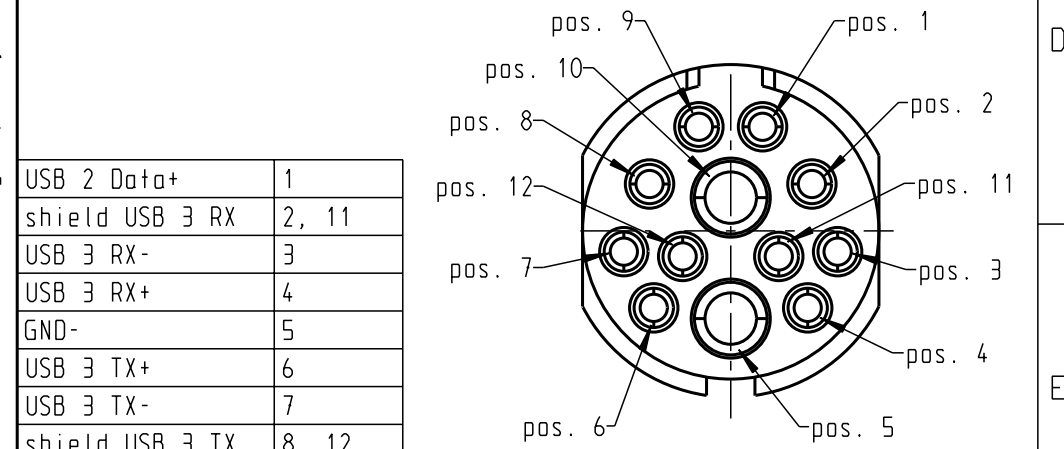
Technical information

- Power solder contacts: AWG 22 (pos. 5/10)
Current load: 5A (Single contact)
- Signal solder contacts: AWG 28 (Pos. 1/2/3/4/6/7/8/9/11/12)
Current load: 1A (Single contact)
- Test voltage: 750V (acc. SAE AS 13441:1998, Contact to contact)
Rated voltage: 250V (acc. SAE AS 13441:1998).

- 1) ODU recommend an additional locking of the nut with adhesive (e.g. Loctite 2701) to the screw thread.
- 2) Maximal operating voltage at sea level up to 2.000m. Rated voltage applies no other electrical safety standard. In case other standards rule a specific use of the connector, the application specific safety criteria shall be considered first. This must be evaluated in the frame of equipment engineering.



Only insert
View in direction B
8:1



USB 2 Data+	1
shield USB 3 RX	2, 11
USB 3 RX-	3
USB 3 RX+	4
GND-	5
USB 3 TX+	6
USB 3 TX-	7
shield USB 3 TX	8, 12
USB 2 Data-	9
1 VBUS	10
description wire	pos.-nr.

All shown connectors are according to DIN EN 61984:2009 connectors without breaking capacity (COC)!

General tolerances to DIN ISO 2768-mH		PE-modell-nr.:	
Tolerances to DIN ISO 8015		CAD-nr.:	sheet.:
2015 date name designation:		00058791	
prep. 16.02. Unterblüm.		scale: 4:1	
app.		drawing nr.:	
norm.		GKOW.M-P12WMMO-000L	
a ----- 10.04.15 Unterblüm.		replacement for:	
index notice date name		copy nr.	



X-ON Electronics

Largest Supplier of Electrical and Electronic Components

Click to view similar products for [Circular Push Pull Connectors](#) category:

Click to view products by [ODU manufacturer](#):

Other Similar products are found below :

[6407-249V-11273P](#) [6408-201V-13273](#) [6408-202V-13343](#) [6408-202V-17343](#) [FAG.2B.319.CYC](#) [FGA.1B.307.CYCD72Z](#)
[FGC.0B.309.CLAD56](#) [FLS.01.250.DLAE24](#) [PFG.1B.308.CYZZ](#) [PKG.M0.6BL.LZ](#) [PLC.M1.0SL.LA](#) [GMA.2B.045.DJ](#) [GMA.3B.090.DA](#)
[PRG.M0.6GL.LC52GZ](#) [ABF.1S.250.NTA](#) [1332M107MS](#) [EAJ.1B.306.CWA](#) [1589430-2](#) [ELF.00.250.NTL](#) [ERA.01.250.DLL](#)
[BRD.0B.200.PCSG](#) [HVP.03.250.CLLPV](#) [CAH.M34.SLL.C72GZ](#) [CAJ.M34.SLL.C72GZ](#) [300500](#) [EXG.0B.309.HLN](#) [FFB.1S.250.CLAC27](#)
[FLC.00.250.CTAC31](#) [FPG.0B.305.CLAD52](#) [PCS.01.250.DLLE31](#) [PKC.M0.7GL.NG](#) [PKG.M0.4TL.LZ](#) [PXG.M0.8GG.NG](#)
[HEG.1B.307.CLNP](#) [BRR.3S.200.PZVG](#) [JDXEP2T19FSN](#) [400374](#) [DTA.99.700.5Z](#) [ECG.00.304.CLL](#) [ECP.0S.304.CLN](#) [EEG.1B.306.CYZ](#)
[MS3117-12BU](#) [EGA.00.303.CLL](#) [SAN.M13.GLA.6G](#) [6408-201V-11343](#) [6408-202V-25273](#) [PAC.M0.4NL.AC52J](#) [980-0009-471](#)
[NCG044SC2DC006](#) [13303PM20](#)