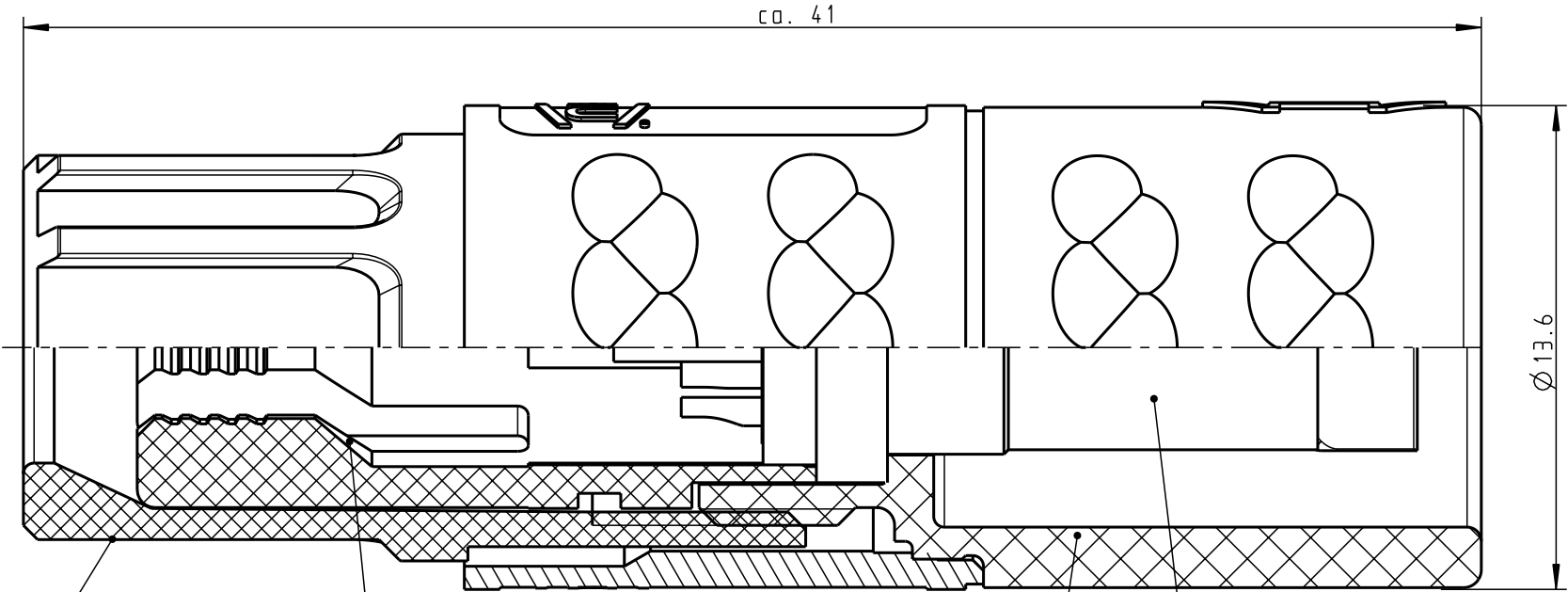
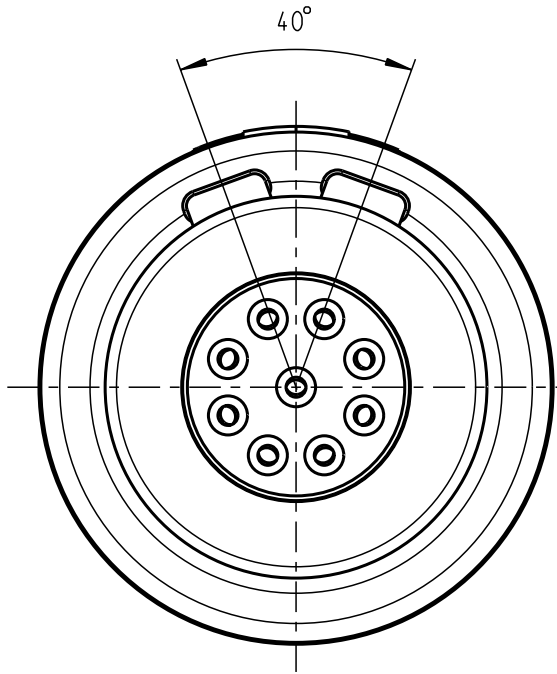


For these drawings, we reserve all rights, including the right to use the drawings for the production of the product, without prior written permission.

For these drawings, we reserve all rights, including the right to use the drawings for the production of the product, without prior written permission.

All rights reserved, including possible patents or trademarks. Documents shall not be provided to a third party or duplicated in any form without prior written permission.

CAD: Pro/ENGINEER



Spannmutter (siehe Tabelle)
Backnut (look table)

Spannzange (siehe Tabelle)
Cable collet (look table)

Kabelzylinder
Cablecylinder

Einsatz
Insert

Technische Daten/Technical Data:

Werkstoffe/Materials: PSU / grau / grey
Gehäuse/Housing: PSU / grau / grey
Kontakte/Contacts: Cu-Legierung / Cu-alloy
Isolierkörper/Insulation Body: PEEK

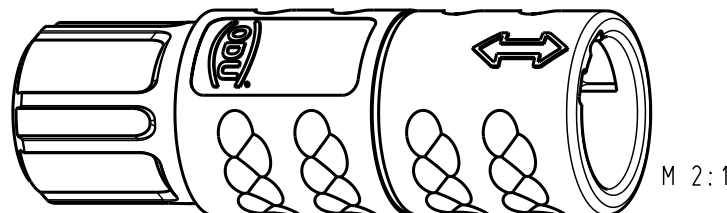
KontaktØ / ContactØ: Ø 0.5 mm
Anschluß/Termination: 0.08mm
Löt/Solder: AWG 28

Prüfspannung/Test Voltage: 1.35 kV DC (SAE AS 13441)

Strombelastung/Current Load: 5 A
Einzelkontakte/Single contacts: 2.75 A
9 polig / 9 position: (IEC 512-3 / VDE 0298 T4)

Oberflächen/Surfaces: gal. Au
Kontakte/Contacts: gal. Au

Schutzart im gesteckten Zustand: IP 50
/Protection Class in mated condition



K11MA7-P09LCC0-..20	rot / red
K11MA7-P09LCC0-..30	weiß / white
K11MA7-P09LCC0-..40	gelb / yellow
K11MA7-P09LCC0-..50	grün / green
K11MA7-P09LCC0-..60	blau / blue
K11MA7-P09LCC0-..70	grau / grey
K11MA7-P09LCC0-..80	schwarz / black

K11MA7-P09LCC0-39..	min. 2.7	max. 3.9	K11MA7-P09LCC0-..60	blau / blue
K11MA7-P09LCC0-52..	min. 4.0	max. 5.2	K11MA7-P09LCC0-..70	grau / grey
K11MA7-P09LCC0-65..	min. 5.3	max. 6.5	K11MA7-P09LCC0-..80	schwarz / black

Maße ohne Toleranzangabe nach DIN ISO 2768		Rahteil: hierzu Stückliste		Rohgew.:	PE-Modell-Nr.: 00020186
2009	Tag	Name	Benennung:	CAD-Nr.: 00041759	Bl.: 5:1
Bearb.	07.04.	Träger	Kabelteil cpl.	Zeichnungs Nr.: K11MA7-P09LCC0-....	Vervielf. Pause
Gepr.					
Norm.			Ersatz für:		Nr.
And-zust.		Aend.-Mitt.	Datum	Name	



X-ON Electronics

Largest Supplier of Electrical and Electronic Components

Click to view similar products for [Circular Push Pull Connectors](#) category:

Click to view products by [ODU manufacturer](#):

Other Similar products are found below :

[6407-249V-11273P](#) [6408-201V-13273](#) [6408-202V-13343](#) [6408-202V-17343](#) [EZG.0B.309.CLN](#) [FFA.2S.310.ZLA](#) [FGA.1B.307.CYCD72Z](#)
[FGJ.1B.304.CLLD76](#) [FGJ.1B.306.CWLD72](#) [FGJ.2B.302.CYMD82Z](#) [FGJ.3B.304.CYMD10Z](#) [FGJ.3B.304.CYMD82Z](#) [FHG.1B.303.CYCZ](#)
[PCS.01.250.DLLE24](#) [PHG.0K.305.CYMC40Z](#) [PHG.1K.308.CLLK85](#) [PKG.M0.6BL.LZ](#) [PLC.M1.0SL.LA](#) [GMA.10.290.DN](#)
[GMA.3B.090.DA](#) [PRG.M0.6GL.LC52GZ](#) [PSA.1S.275.CTLC66](#) [133020F](#) [1331ER193MZ](#) [1332M107MZ](#) [EAJ.1B.306.CWA](#)
[ECG.XB.312.CLL](#) [1589430-2](#) [ELF.00.250.NTL](#) [BRR.2S.200.PZVG](#) [HR10A-P](#) [CAH.M34.SLL.C72GZ](#) [CAJ.M34.SLL.C72GZ](#) [300500](#)
[EXG.0B.309.HLN](#) [FFA.2E.302.CLAC80Z](#) [FFB.1S.250.CLAC27](#) [FGA.2B.306.CYCD92Z](#) [FGJ.2B.302.CYMD62Z](#) [FGJ.2B.307.CLLD99](#)
[FGJ.3B.308.CLLD72Z](#) [FHG.1B.303.CYCD62](#) [FLC.00.250.CTAC31](#) [PCS.01.250.DLLE31](#) [PKA.M1.0TL.LG](#) [PKC.M0.7GL.NG](#)
[PKG.M0.4TL.LZ](#) [PPG.M1.0GG.N](#) [PRG.M0.4GL.LC39GZ](#) [PXG.M0.8GG.NG](#)