

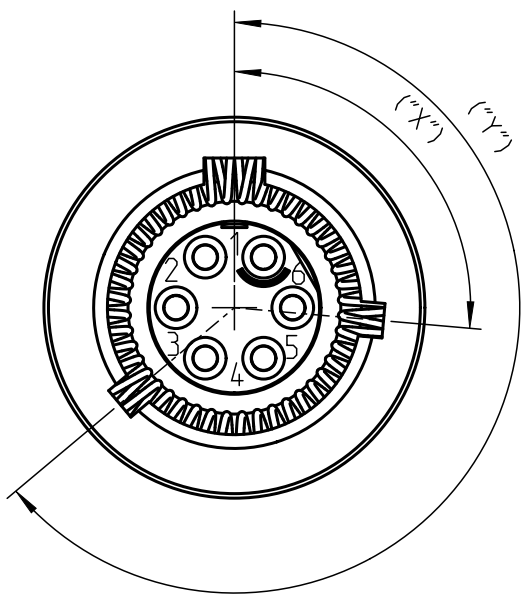
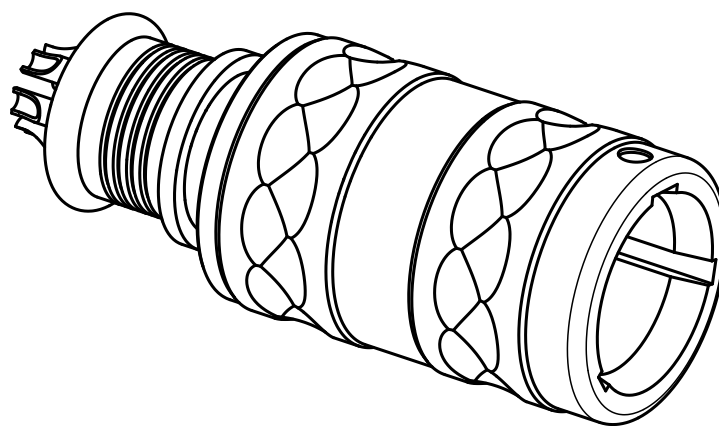
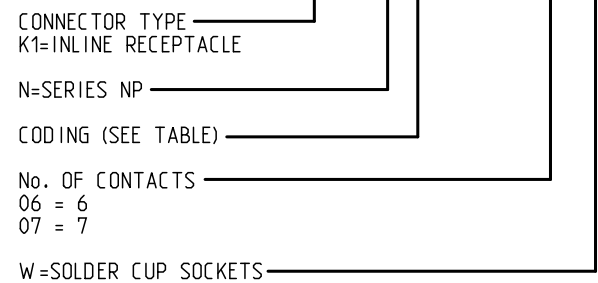
All Rights reserved, including possible patents or trademarks. Documents shall not be provided to a third party or duplicated in any form without prior written permission from ODU-USA.

The iteration describes editorial changes only, which are not specification changes. An iteration change is not required to be released/sampled.

CAD: Creo Parametric

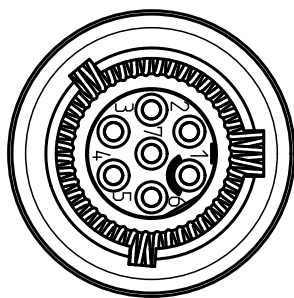
### PART NUMBER CONFIGURATION

EXAMPLE: K 1 6 N 0 P - P 0 6 W 2 3 0 - 0000

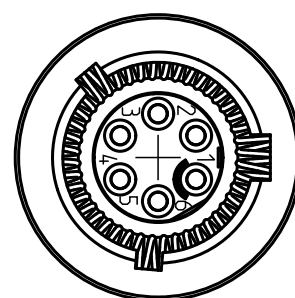


KEY CODING DETAIL  
(Viewed from Front)

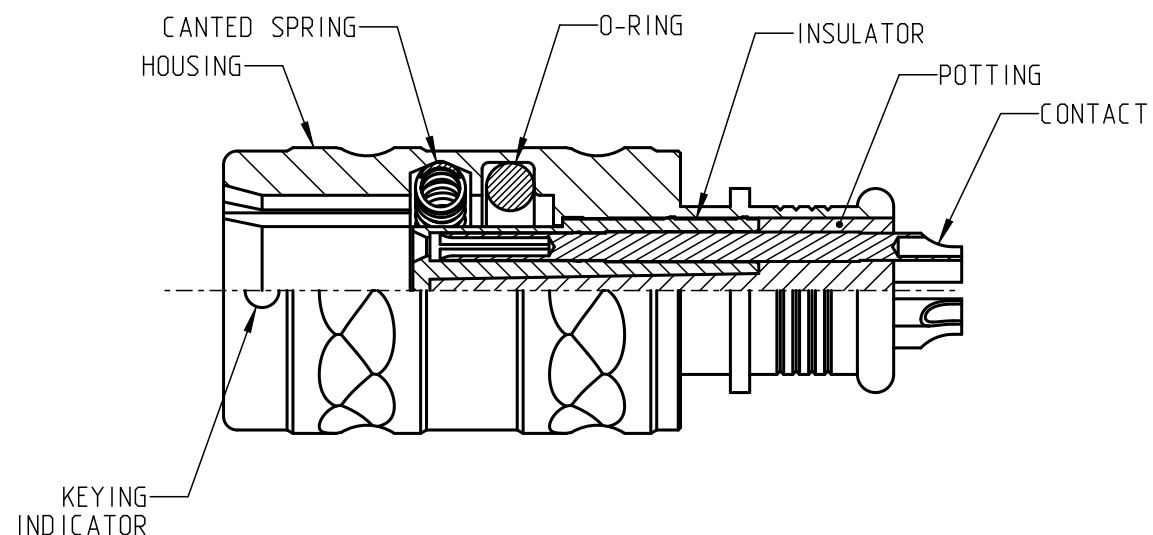
KEY CODING-X°,Y°	
0	95°, 230°
A	150°, 210°
B	75°, 210°
D	140°, 275°
E	75°, 275°
F	95°, 210°
G	165°, 195°
H	140°, 220°
J	115°, 245°
K	105°, 205°
L	155°, 255°



7 POSITION



6 POSITION



4. ODU PART NUMBER TO BE PERMANENTLY MARKED ON HOUSING.

3. ELECTRICAL INFORMATION:

- CONTACT CURRENT RATING: 5-7.5A
- TEST VOLTAGE: 750VAC
- NOMINAL VOLTAGE: 50VAC
- SHELL TO SHELL RESISTANCE IN MATED CONDITION NOT TO EXCEED 50mΩ
- OPERATING TEMPERATURE: -18°C to 71°C

2. CONTACTS - SIZE 23 (Ø0.70) SOCKETS, SOLDER CUP, 22AWG MAX

1. MATERIALS / FINISH:

- HOUSING - ALUM ALLOY / BLACK CARBON OVER ELECTROLESS NICKEL
- INSULATOR - LCP
- ORING - FLOUROSILICONE
- SPRING - STAINLESS STEEL / GOLD PLATE
- CONTACT CLIPS - COPPER ALLOY
- CONTACTS - COPPER ALLOY / GOLD PLATE, 1.27um Thk
- POTTING - EPOXY

NOTES: UNLESS OTHERWISE SPECIFIED

			Description:		Material:
			RECEPTACLE, SOLDER		seeBOM
General tol.: DIN ISO 2768-mH		EC-No.:	ODU AMC NP		Scale:
Tolerancing: DIN ISO 8015			Drawing-Id.:		3:1
State:		Revision:	Z10307593		Size:
Released		-	Material-Id.:		B
Prepared	18.08.2022 pbair	ODU-Id.:		Dim.:	mm
Changed	27.08.2022 pbair	K16N_P-P__W 230-0000		Sheet:	1
Released	29.08.2022 RMota	Origin:			
ODU-USA	Date	Name			

## X-ON Electronics

Largest Supplier of Electrical and Electronic Components

*Click to view similar products for [Circular Push Pull Connectors](#) category:*

*Click to view products by [ODU manufacturer](#):*

Other Similar products are found below :

[6407-249V-11273P](#) [6408-201V-13273](#) [6408-202V-13343](#) [6408-202V-17343](#) [D38999/20ZG35PN-LC](#) [D38999/20ZJ24SA](#)  
[D38999/20ZJ61PA-LC](#) [FAG.2B.319.CYC](#) [FGA.1B.307.CYCD72Z](#) [FLS.01.250.DLAE24](#) [PFG.1B.308.CYZZ](#) [PKG.M0.6BL.LZ](#)  
[PLC.M1.0SL.LA](#) [GMA.2B.045.DJ](#) [GMA.3B.090.DA](#) [PRG.M0.6GL.LC52GZ](#) [ABF.1S.250.NTA](#) [1332M107MS](#) [EAJ.1B.306.CWA](#) [1589430-](#)  
[2](#) [ELF.00.250.NTL](#) [ERA.01.250.DLL](#) [BRD.0B.200.PCSG](#) [HVP.03.250.CLLPV](#) [CAH.M34.SLL.C72GZ](#) [CAJ.M34.SLL.C72GZ](#) [300500](#)  
[EXG.0B.309.HLN](#) [FFB.1S.250.CLAC27](#) [FLC.00.250.CTAC31](#) [FPG.0B.305.CLAD52](#) [PCS.01.250.DLLE31](#) [PKC.M0.7GL.NG](#)  
[PKG.M0.4TL.LZ](#) [PXG.M0.8GG.NG](#) [HEG.1B.307.CLNP](#) [BRR.3S.200.PZVG](#) [JDXEP2T19FSN](#) [400374](#) [DTA.99.700.5Z](#) [ECG.00.304.CLL](#)  
[ECP.0S.304.CLN](#) [EEG.1B.306.CYZ](#) [MS3117-12BU](#) [EGA.00.303.CLL](#) [SAN.M13.GLA.6G](#) [6408-201V-11343](#) [6408-202V-25273](#)  
[PAC.M0.4NL.AC52J](#) [980-0009-471](#)