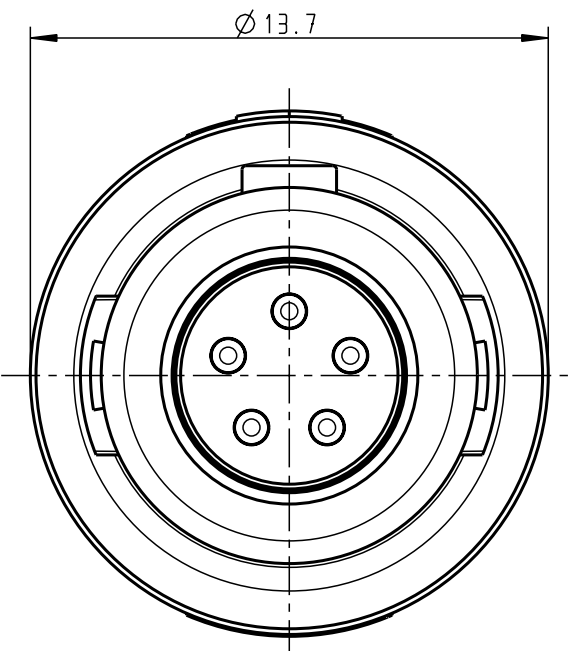
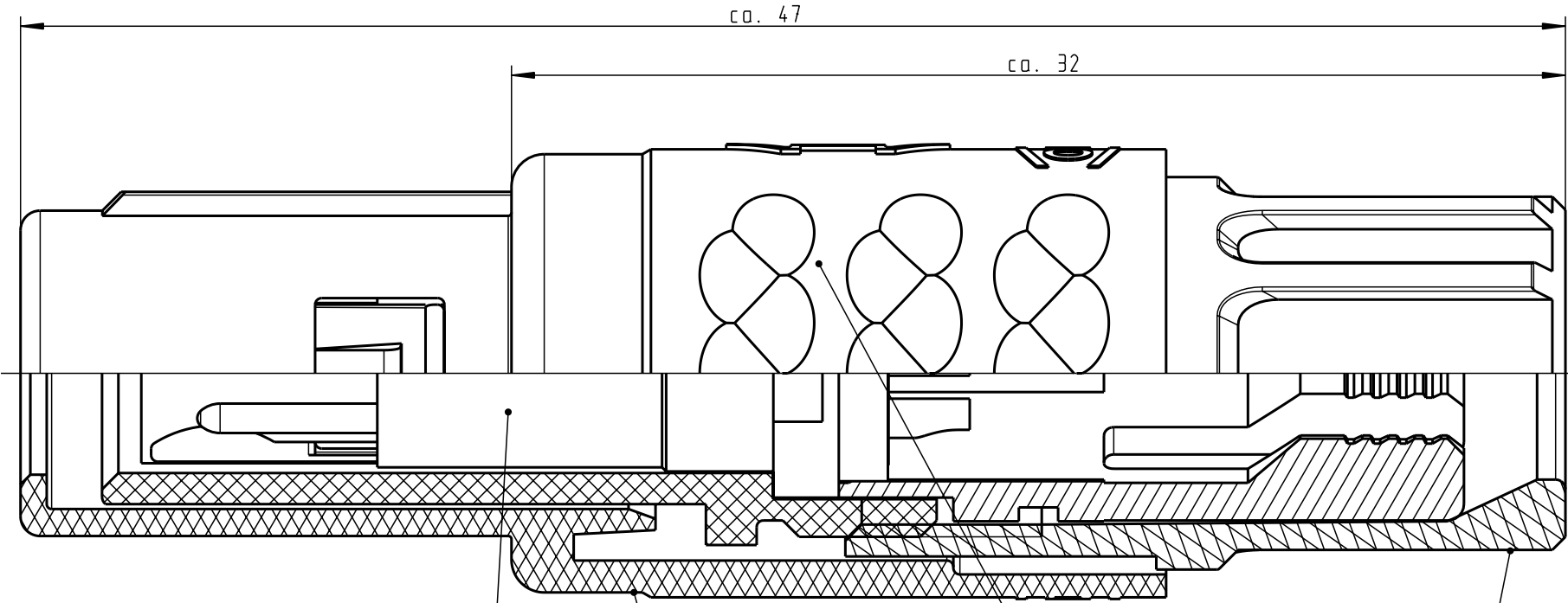


For these drawings, we reserve all rights, including the right to use the drawings for the production of other parts, without the need for a separate agreement. The drawings are the property of ODU and shall not be provided to a third party or duplicated in any form without prior written permission.

Nur rot gestempelte oder auf Laufkarte gedruckte Dokumente unterliegen dem Änderungsdienst und sind zur Fertigung freigegeben. Only red stamped or on jobcard printed documents are managed. These documents are approved for production.

All rights reserved, including possible patents or trademarks. Documents shall not be provided to a third party or duplicated in any form without prior written permission.

CAD: Pro/ENGINEER



Einsatz Insert
 Steckergehäuse Plughousing
 Spannzange (siehe Tabelle) Cable collet (look table)
 Spannmutter (siehe Tabelle) Backnut (look table)

Technische Daten/Technical Data:

Werkstoffe/Materials: Gehäuse/Housing: PSU / grau / grey
 Kontakte/Contacts: Cu-Legierung /Cu-alloy
 Isolierkörper/Insulation Body: PEEK

KontaktØ /ContactØ: Ø0.9 mm
 Anschluß/Termination: 0.38 mm² AWG 22
 Löt/Solder

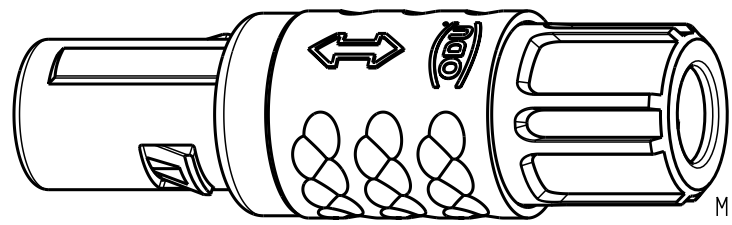
Prüfspannung/Test Voltage: 1.6 kV DC (SAE AS 13441)

Oberflächen/Surfaces: Gehäuse/Housing gal. Au

Kontakte/Contacts: gal. Au

Strombelastung/Current Load: Einzelkontakte/single contacts 10 A
 5-polig / 5-pos.: 7.5 A
 (IEC 512-3 / VDE 0298 T4)

Schutzart im gesteckten Zustand: IP 50 /Protection Class in mated condition



M 2:1

| | | |
|---|---------------------|-----------------|
| ⓑ | S11M07-P05MJG0-..20 | rot / red |
| | S11M07-P05MJG0-..30 | weiß / white |
| | S11M07-P05MJG0-..40 | gelb / yellow |
| | S11M07-P05MJG0-..50 | grün / green |
| | S11M07-P05MJG0-..60 | blau / blue |
| | S11M07-P05MJG0-..70 | grau / grey |
| | S11M07-P05MJG0-..80 | schwarz / black |

| Artikelnummer Partnumber | KabelØ CableØ | Artikelnummer Partnumber | Farbe Spannmutter Colour Backnut |
|-----------------------------|-------------------|-----------------------------|-------------------------------------|
| S11M07-P05MJG0-39.. | min. 2.7 max. 3.9 | S11M07-P05MJG0-..60 | blau / blue |
| S11M07-P05MJG0-52.. | min. 4.0 max. 5.2 | S11M07-P05MJG0-..70 | grau / grey |
| S11M07-P05MJG0-65.. | min. 5.3 max. 6.5 | S11M07-P05MJG0-..80 | schwarz / black |

| | | | | | |
|--|-------------|----------------------------|---------------------|-------------|----------------|
| Maße ohne Toleranzangabe nach DIN ISO 2768 | | Rahteil: hierzu Stückliste | | Rohgew.: | PE-Modell-Nr.: |
| 2002 | Tag | Name | Benennung: | CAD-Nr.: | Bl.: |
| Bearb. | 24.05. | Braun F. | Stecker cpl. | 00020294 | |
| Gepr. | | | | | Maßstab: |
| Norm. | | | | | 5:1 |
| b | 13.03.08 | Lenhart | Zeichnungs Nr.: | Verf. Pause | |
| a | 26.11.02 | Braun F. | S11M07-P05MJG0-.... | | |
| And-zust. | Aend.-Mitt. | Datum | Ersatz für: | Nr. | |
| | | | | | |



X-ON Electronics

Largest Supplier of Electrical and Electronic Components

Click to view similar products for [Circular Push Pull Connectors](#) category:

Click to view products by [ODU manufacturer](#):

Other Similar products are found below :

[6407-249V-11273P](#) [6408-201V-13273](#) [6408-202V-13343](#) [6408-202V-17343](#) [EZG.0B.309.CLN](#) [FFA.2S.310.ZLA](#) [FGA.1B.307.CYCD72Z](#)
[FGJ.1B.304.CLLD76](#) [FGJ.1B.306.CWLD72](#) [FGJ.2B.302.CYMD82Z](#) [FGJ.3B.304.CYMD10Z](#) [FGJ.3B.304.CYMD82Z](#) [FHG.1B.303.CYCZ](#)
[PCS.01.250.DLLE24](#) [PHG.0K.305.CYMC40Z](#) [PHG.1K.308.CLLK85](#) [PKG.M0.6BL.LZ](#) [PLC.M1.0SL.LA](#) [GMA.10.290.DN](#)
[GMA.3B.090.DA](#) [PRG.M0.6GL.LC52GZ](#) [PSA.1S.275.CTLC66](#) [133020F](#) [1331ER193MZ](#) [1332M107MZ](#) [EAJ.1B.306.CWA](#)
[ECG.XB.312.CLL](#) [1589430-2](#) [ELF.00.250.NTL](#) [BRR.2S.200.PZVG](#) [HR10A-P](#) [CAH.M34.SLL.C72GZ](#) [CAJ.M34.SLL.C72GZ](#) [300500](#)
[EXG.0B.309.HLN](#) [FFA.2E.302.CLAC80Z](#) [FFB.1S.250.CLAC27](#) [FGA.2B.306.CYCD92Z](#) [FGJ.2B.302.CYMD62Z](#) [FGJ.2B.307.CLLD99](#)
[FGJ.3B.308.CLLD72Z](#) [FHG.1B.303.CYCD62](#) [FLC.00.250.CTAC31](#) [PCS.01.250.DLLE31](#) [PKA.M1.0TL.LG](#) [PKC.M0.7GL.NG](#)
[PKG.M0.4TL.LZ](#) [PPG.M1.0GG.N](#) [PRG.M0.4GL.LC39GZ](#) [PXG.M0.8GG.NG](#)