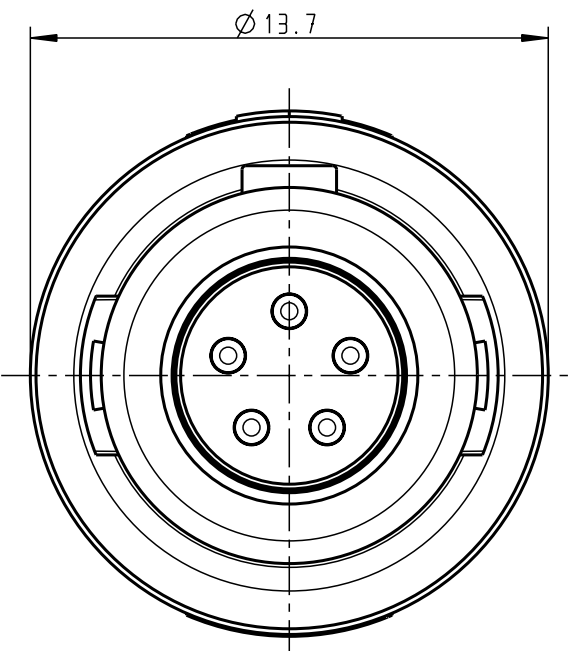
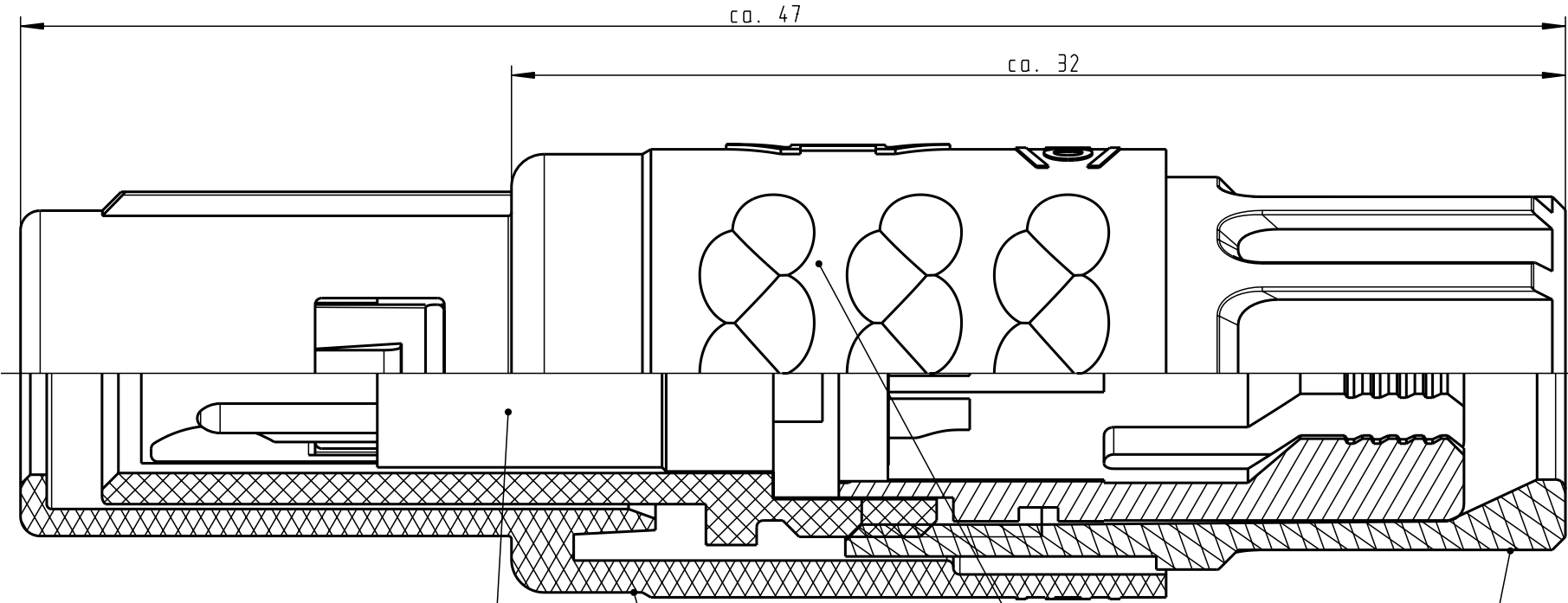


For these drawings, we reserve all rights, including the right to use the drawings for other purposes without our consent. In case of reproduction or distribution, the permission of the manufacturer must be obtained.

Only red stamped or on-jobcard printed documents are managed. These documents are approved for production.

All rights reserved, including possible patents or trademarks. Documents shall not be provided to a third party or duplicated in any form without prior written permission.

CAD: Pro/ENGINEER



Einsatz Insert
 Steckergehäuse Plughousing
 Spannzange (siehe Tabelle) Cable collet (look table)
 Spannmutter (siehe Tabelle) Backnut (look table)

Technische Daten/Technical Data:

Werkstoffe/Materials: PSU / grau / grey
 Gehäuse/Housing: PSU / grau / grey
 Kontakte/Contacts: Cu-Legierung / Cu-alloy
 Isolierkörper/Insulation Body: PEEK

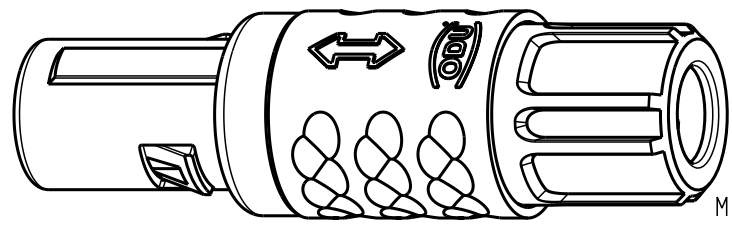
KontaktØ / ContactØ: Ø 0.9 mm
 Anschluß/Termination: 0.38 mm² AWG 22
 Löt/Solder

Prüfspannung/Test Voltage: 1.6 kV DC (SAE AS 13441)

Oberflächen/Surfaces: gal. Au
 Gehäuse/Housing: gal. Au

Schutzart im gesteckten Zustand: IP 50
 /Protection Class in mated condition

Strombelastung/Current Load: 10 A
 Einzelkontakte/single contacts: 7.5 A
 5-polig / 5-pos.: (IEC 512-3 / VDE 0298 T4)



ⓑ	S11M07-P05MJG0-..20	rot / red
	S11M07-P05MJG0-..30	weiß / white
	S11M07-P05MJG0-..40	gelb / yellow
	S11M07-P05MJG0-..50	grün / green
	S11M07-P05MJG0-..60	blau / blue
	S11M07-P05MJG0-..70	grau / grey
	S11M07-P05MJG0-..80	schwarz / black

Artikelnummer Partnumber	KabelØ CableØ	Artikelnummer Partnumber	Farbe Spannmutter Colour Backnut
S11M07-P05MJG0-39..	min. 2.7 max. 3.9	S11M07-P05MJG0-..60	blau / blue
S11M07-P05MJG0-52..	min. 4.0 max. 5.2	S11M07-P05MJG0-..70	grau / grey
S11M07-P05MJG0-65..	min. 5.3 max. 6.5	S11M07-P05MJG0-..80	schwarz / black

Maße ohne Toleranzangabe nach DIN ISO 2768		Rahteil: hierzu Stückliste		Rohgew.:	PE-Modell-Nr.:
2002	Tag	Name	Benennung:	CAD-Nr.:	Bl.:
Bearb.	24.05.	Braun F.	Stecker cpl.	00020294	
Gepr.					Maßstab:
Norm.					5:1
b	13.03.08	Lenhart	Zeichnungs Nr.:	Verf. Pause	
a	26.11.02	Braun F.	S11M07-P05MJG0-....		
And-zust.	Aend.-Mitt.	Datum	Ersatz für:	Nr.	



X-ON Electronics

Largest Supplier of Electrical and Electronic Components

Click to view similar products for [Circular Push Pull Connectors](#) category:

Click to view products by [ODU manufacturer](#):

Other Similar products are found below :

[6407-249V-11273P](#) [6408-201V-13273](#) [6408-202V-13343](#) [6408-202V-17343](#) [EZG.0B.309.CLN](#) [FFA.2S.310.ZLA](#) [FGA.1B.307.CYCD72Z](#)
[FGJ.1B.304.CLLD76](#) [FGJ.1B.306.CWLD72](#) [FGJ.2B.302.CYMD82Z](#) [FGJ.3B.304.CYMD10Z](#) [FGJ.3B.304.CYMD82Z](#) [FHG.1B.303.CYCZ](#)
[PCS.01.250.DLLE24](#) [PHG.0K.305.CYMC40Z](#) [PHG.1K.308.CLLK85](#) [PKG.M0.6BL.LZ](#) [PLC.M1.0SL.LA](#) [GMA.10.290.DN](#)
[GMA.3B.090.DA](#) [PRG.M0.6GL.LC52GZ](#) [PSA.1S.275.CTLC66](#) [133020F](#) [1331ER193MZ](#) [1332M107MZ](#) [EAJ.1B.306.CWA](#)
[ECG.XB.312.CLL](#) [1589430-2](#) [ELF.00.250.NTL](#) [BRR.2S.200.PZVG](#) [HR10A-P](#) [CAH.M34.SLL.C72GZ](#) [CAJ.M34.SLL.C72GZ](#) [300500](#)
[EXG.0B.309.HLN](#) [FFA.2E.302.CLAC80Z](#) [FFB.1S.250.CLAC27](#) [FGA.2B.306.CYCD92Z](#) [FGJ.2B.302.CYMD62Z](#) [FGJ.2B.307.CLLD99](#)
[FGJ.3B.308.CLLD72Z](#) [FHG.1B.303.CYCD62](#) [FLC.00.250.CTAC31](#) [PCS.01.250.DLLE31](#) [PKA.M1.0TL.LG](#) [PKC.M0.7GL.NG](#)
[PKG.M0.4TL.LZ](#) [PPG.M1.0GG.N](#) [PRG.M0.4GL.LC39GZ](#) [PXG.M0.8GG.NG](#)