

For these drawings, we reserve all rights, including the right to use the drawings for the production of the drawings, without the prior written permission of the drawing office.

For these drawings, we reserve all rights, including the right to use the drawings for the production of the drawings, without the prior written permission of the drawing office.

All rights reserved, including possible patents or trademarks. Documents shall not be provided to a third party or duplicated in any form without prior written permission.

CAD: Pro/ENGINEER

1 2 3 4 5 6 7 8

A

B

C

D

E

F

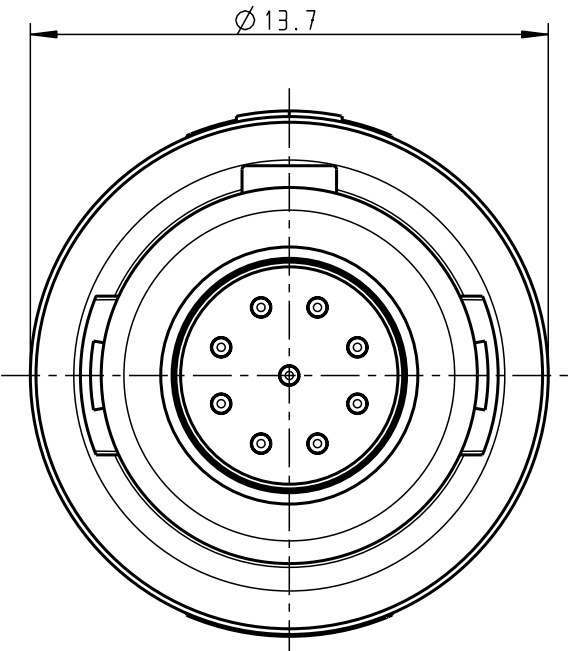
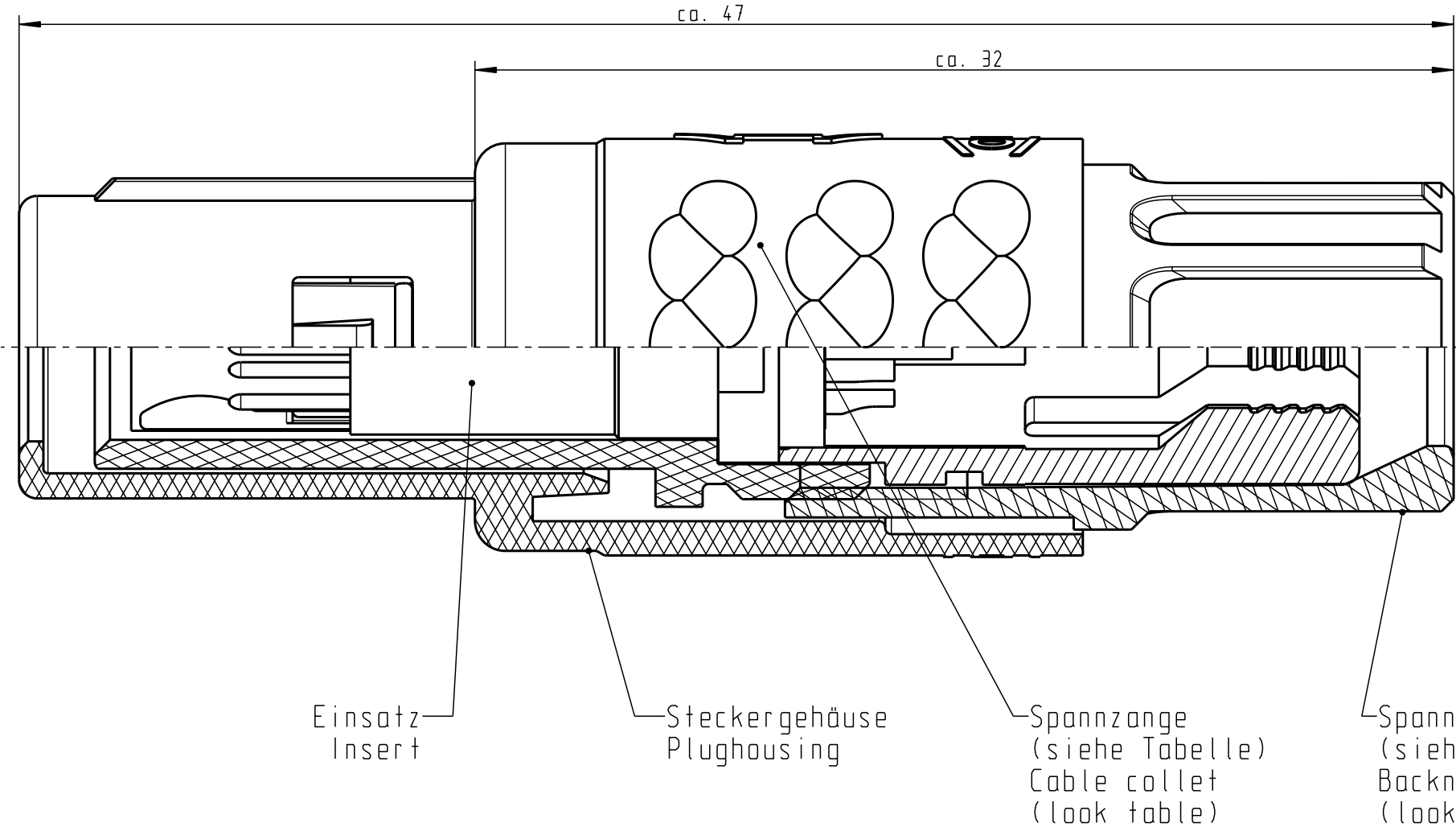
A

B

C

D

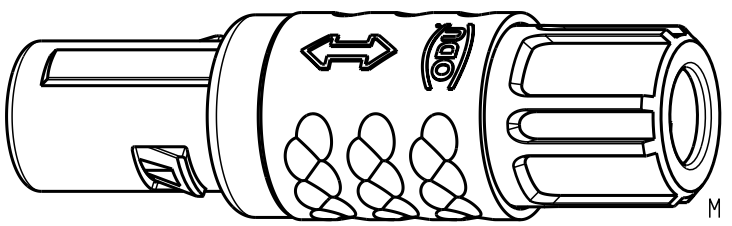
E



Technische Daten/Technical Data:

Werkstoffe/Materials: Gehäuse/Housing: PSU / grau / grey  
 Kontakte/Contacts: Cu-Legierung /Cu-alloy  
 Isolierkörper/Insulation Body: PEEK  
 Oberflächen/Surfaces: Gehäuse/Housing: gal. Au  
 Kontakte/Contacts: gal. Au  
 Schutzart im gesteckten Zustand: IP 50 /Protection Class in mated condition

KontaktØ /ContactØ: Ø 0.5 mm  
 Anschluß/Termination: 0.08mm<sup>2</sup> AWG 28  
 Löt/Solder  
 Prüfspannung/Test Voltage: 1.35 kV DC (SAE AS 13441)  
 Strombelastung/Current Load: Einzelkontakte/single contacts: 5 A  
 9-polig / 9-pos.: 2.75 A  
 (IEC 512-3 / VDE 0298 T4)



(b)	S11M07-P09MCCO-..20	rot / red
	S11M07-P09MCCO-..30	weiß / white
	S11M07-P09MCCO-..40	gelb / yellow
	S11M07-P09MCCO-..50	grün / green
	S11M07-P09MCCO-..60	blau / blue
	S11M07-P09MCCO-..70	grau / grey
	S11M07-P09MCCO-..80	schwarz / black

S11M07-P09MCCO-39..	min. 2.7	max. 3.9	S11M07-P09MCCO-..60	blau / blue
S11M07-P09MCCO-52..	min. 4.0	max. 5.2	S11M07-P09MCCO-..70	grau / grey
S11M07-P09MCCO-65..	min. 5.3	max. 6.5	S11M07-P09MCCO-..80	schwarz / black
Artikelnummer Partnumber	KabelØ CableØ	Artikelnummer Partnumber	Farbe Spannmutter Colour Backnut	
	Maße ohne Toleranzangabe nach mittel DIN ISO 2768	Rahteil: hierzu Stückliste		Rohgew.: PE-Modell-Nr.:
	2002 Tag Name	Benennung:		CAD-Nr.: 00020053
	Bearb. 29.04. Braun F.	Stecker cpl.		Bl.: Maßstab: 5:1
	Gepr. Norm.	Zeichnungs Nr.:		Vervielf. Pause
		S11M07-P09MCCO-....		
And-zust.	Aend.-Mitt. Datum Name	Ersatz für:		Nr.:



## X-ON Electronics

Largest Supplier of Electrical and Electronic Components

*Click to view similar products for [Circular Push Pull Connectors](#) category:*

*Click to view products by [ODU](#) manufacturer:*

Other Similar products are found below :

[6407-249V-11273P](#) [6408-201V-13273](#) [6408-202V-13343](#) [6408-202V-17343](#) [EZG.0B.309.CLN](#) [FFA.2S.310.ZLA](#) [FGA.1B.307.CYCD72Z](#)  
[FGJ.1B.304.CLLD76](#) [FGJ.1B.306.CWLD72](#) [FGJ.2B.302.CYMD82Z](#) [FGJ.3B.304.CYMD10Z](#) [FGJ.3B.304.CYMD82Z](#) [FHG.1B.303.CYCZ](#)  
[PCS.01.250.DLLE24](#) [PHG.0K.305.CYMC40Z](#) [PHG.1K.308.CLLK85](#) [PKG.M0.6BL.LZ](#) [PLC.M1.0SL.LA](#) [GMA.10.290.DN](#)  
[GMA.3B.090.DA](#) [PRG.M0.6GL.LC52GZ](#) [PSA.1S.275.CTLC66](#) [133020F](#) [1331ER193MZ](#) [1332M107MZ](#) [EAJ.1B.306.CWA](#)  
[ECG.XB.312.CLL](#) [1589430-2](#) [ELF.00.250.NTL](#) [BRR.2S.200.PZVG](#) [HR10A-P](#) [CAH.M34.SLL.C72GZ](#) [CAJ.M34.SLL.C72GZ](#) [300500](#)  
[EXG.0B.309.HLN](#) [FFA.2E.302.CLAC80Z](#) [FFB.1S.250.CLAC27](#) [FGA.2B.306.CYCD92Z](#) [FGJ.2B.302.CYMD62Z](#) [FGJ.2B.307.CLLD99](#)  
[FGJ.3B.308.CLLD72Z](#) [FHG.1B.303.CYCD62](#) [FLC.00.250.CTAC31](#) [PCS.01.250.DLLE31](#) [PKA.M1.0TL.LG](#) [PKC.M0.7GL.NG](#)  
[PKG.M0.4TL.LZ](#) [PPG.M1.0GG.N](#) [PRG.M0.4GL.LC39GZ](#) [PXG.M0.8GG.NG](#)