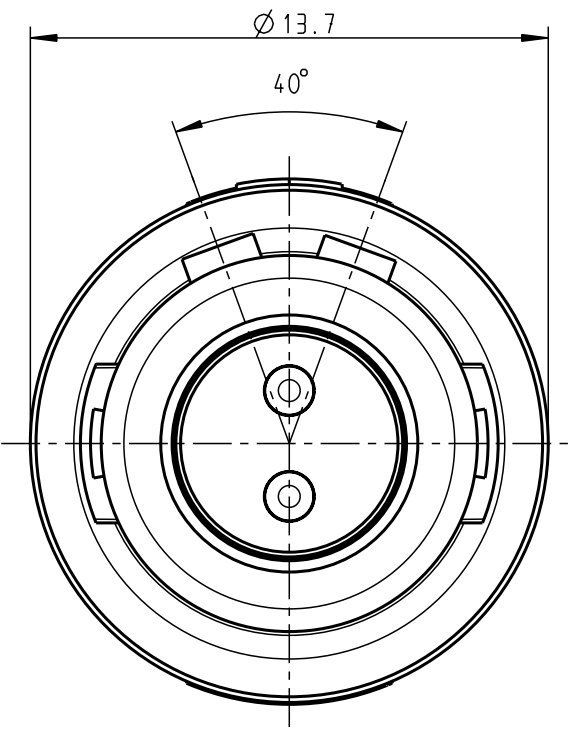
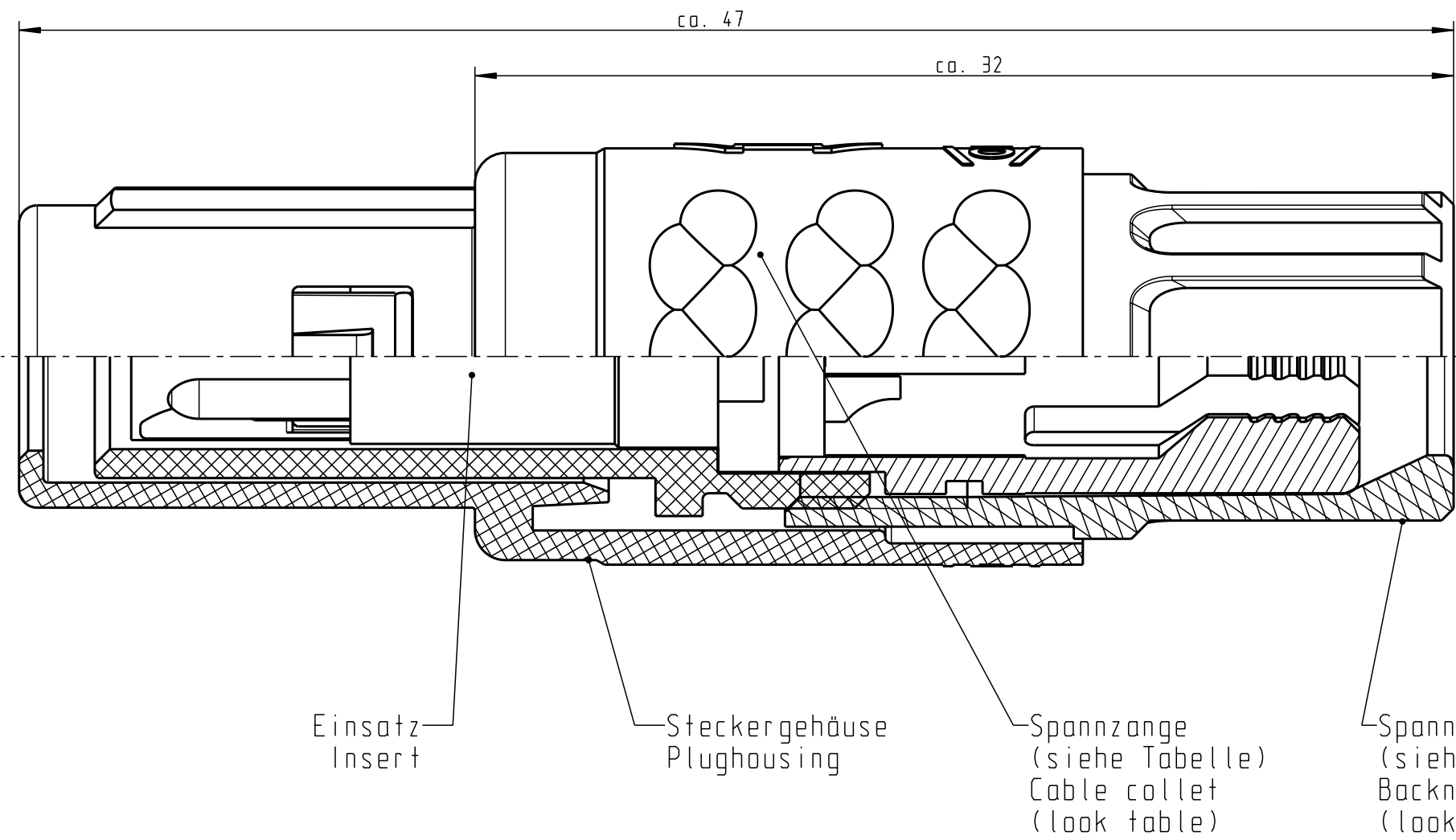


For these drawings, we reserve all rights, including the right to use the drawings for the production of the drawings, without the need for a separate agreement. The drawings are the property of ODU and may not be reproduced or transmitted in any form or by any means, electronic or mechanical, including photocopying, recording, or by any information storage and retrieval system, without prior written permission.

Nur rot gestempelte oder auf Laufkarte gedruckte Dokumente unterliegen dem Änderungsdienst und sind zur Fertigung freigegeben. Only red stamped or on jobcard printed documents are managed. These documents are approved for production.

All rights reserved, including possible patents or trademarks. Documents shall not be provided to a third party or duplicated in any form without prior written permission.

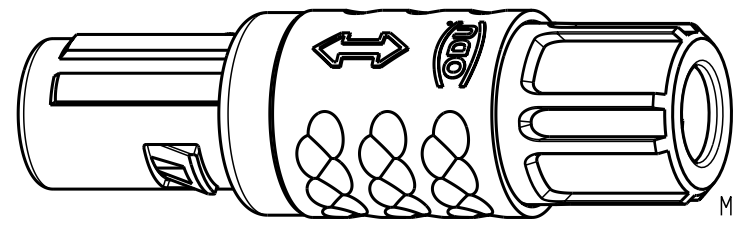
CAD: Pro/ENGINEER



Technische Daten/Technical Data:

Werkstoffe/Materials: Gehäuse/Housing: PSU / grau / grey
 Kontakte/Contacts: Cu-Legierung /Cu-alloy
 Isolierkörper/Insulation Body: PEEK
 Oberflächen/Surfaces: Gehäuse/Housing gal. Au
 Kontakte/Contacts: gal. Au

KontaktØ /ContactØ: Ø 1.3 mm
 Anschluß/Termination: 0.5mm² AWG 20
 Löt/Solder
 Prüfspannung/Test Voltage: 1.9 kV DC (SAE AS 13441)
 Strombelastung/Current Load: Einzelkontakte/single contacts 14 A
 2-polig / 2-pos.: 14 A
 (IEC 512-3 / VDE 0298 T4)



S11MA7-P02MPHO-..20	rot / red		
S11MA7-P02MPHO-..30	weiß / white		
S11MA7-P02MPHO-..40	gelb / yellow		
S11MA7-P02MPHO-..50	grün / green		
S11MA7-P02MPHO-..60	blau / blue		
S11MA7-P02MPHO-..70	grau / grey		
S11MA7-P02MPHO-..80	schwarz / black		
Artikelnummer Partnumber	KabelØ CableØ	Artikelnummer Partnumber	Farbe Spannmutter Colour Backnut

Maße ohne Toleranzangabe nach DIN ISO 2768		Rahteil: hierzu Stückliste		Rohgew.:	PE-Modell-Nr.:
2003	Tag	Name	Benennung:	CAD-Nr.:	Bl.:
Bearb.	21.07.	Braun F.	Stecker cpl.	00023916	Maßstab: 5:1
Gepr.					
Norm.			Zeichnungs Nr.:	S11MA7-P02MPHO-....	Vervielf. Pause
And-zust.	Aend.-Mitt.	Datum	Name	Ersatz für:	Nr.



X-ON Electronics

Largest Supplier of Electrical and Electronic Components

Click to view similar products for [Circular Push Pull Connectors](#) category:

Click to view products by [ODU manufacturer](#):

Other Similar products are found below :

[6407-249V-11273P](#) [6408-201V-13273](#) [6408-202V-13343](#) [6408-202V-17343](#) [EZG.0B.309.CLN](#) [FFA.2S.310.ZLA](#) [FGA.1B.307.CYCD72Z](#)
[FGJ.1B.304.CLLD76](#) [FGJ.1B.306.CWLD72](#) [FGJ.2B.302.CYMD82Z](#) [FGJ.3B.304.CYMD10Z](#) [FGJ.3B.304.CYMD82Z](#) [FHG.1B.303.CYCZ](#)
[PCS.01.250.DLLE24](#) [PHG.0K.305.CYMC40Z](#) [PHG.1K.308.CLLK85](#) [PKG.M0.6BL.LZ](#) [PLC.M1.0SL.LA](#) [GMA.10.290.DN](#)
[GMA.3B.090.DA](#) [PRG.M0.6GL.LC52GZ](#) [PSA.1S.275.CTLC66](#) [133020F](#) [1331ER193MZ](#) [1332M107MZ](#) [EAJ.1B.306.CWA](#)
[ECG.XB.312.CLL](#) [1589430-2](#) [ELF.00.250.NTL](#) [BRR.2S.200.PZVG](#) [HR10A-P](#) [CAH.M34.SLL.C72GZ](#) [CAJ.M34.SLL.C72GZ](#) [300500](#)
[EXG.0B.309.HLN](#) [FFA.2E.302.CLAC80Z](#) [FFB.1S.250.CLAC27](#) [FGA.2B.306.CYCD92Z](#) [FGJ.2B.302.CYMD62Z](#) [FGJ.2B.307.CLLD99](#)
[FGJ.3B.308.CLLD72Z](#) [FHG.1B.303.CYCD62](#) [FLC.00.250.CTAC31](#) [PCS.01.250.DLLE31](#) [PKA.M1.0TL.LG](#) [PKC.M0.7GL.NG](#)
[PKG.M0.4TL.LZ](#) [PPG.M1.0GG.N](#) [PRG.M0.4GL.LC39GZ](#) [PXG.M0.8GG.NG](#)