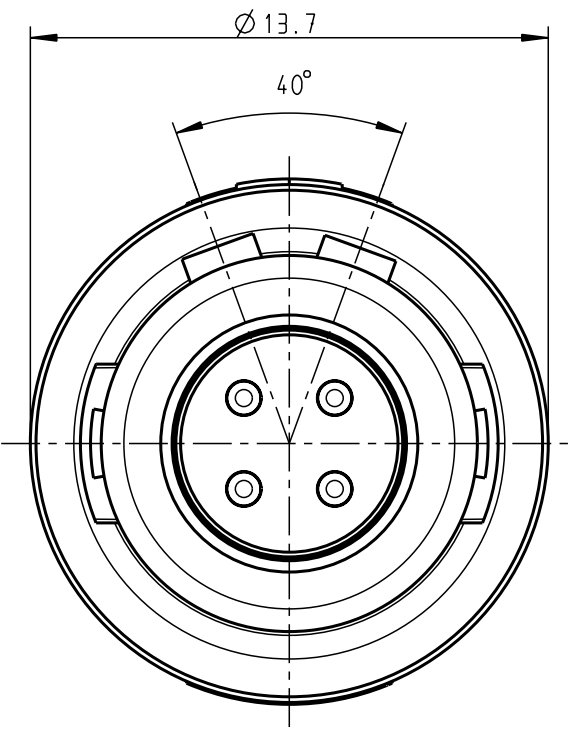
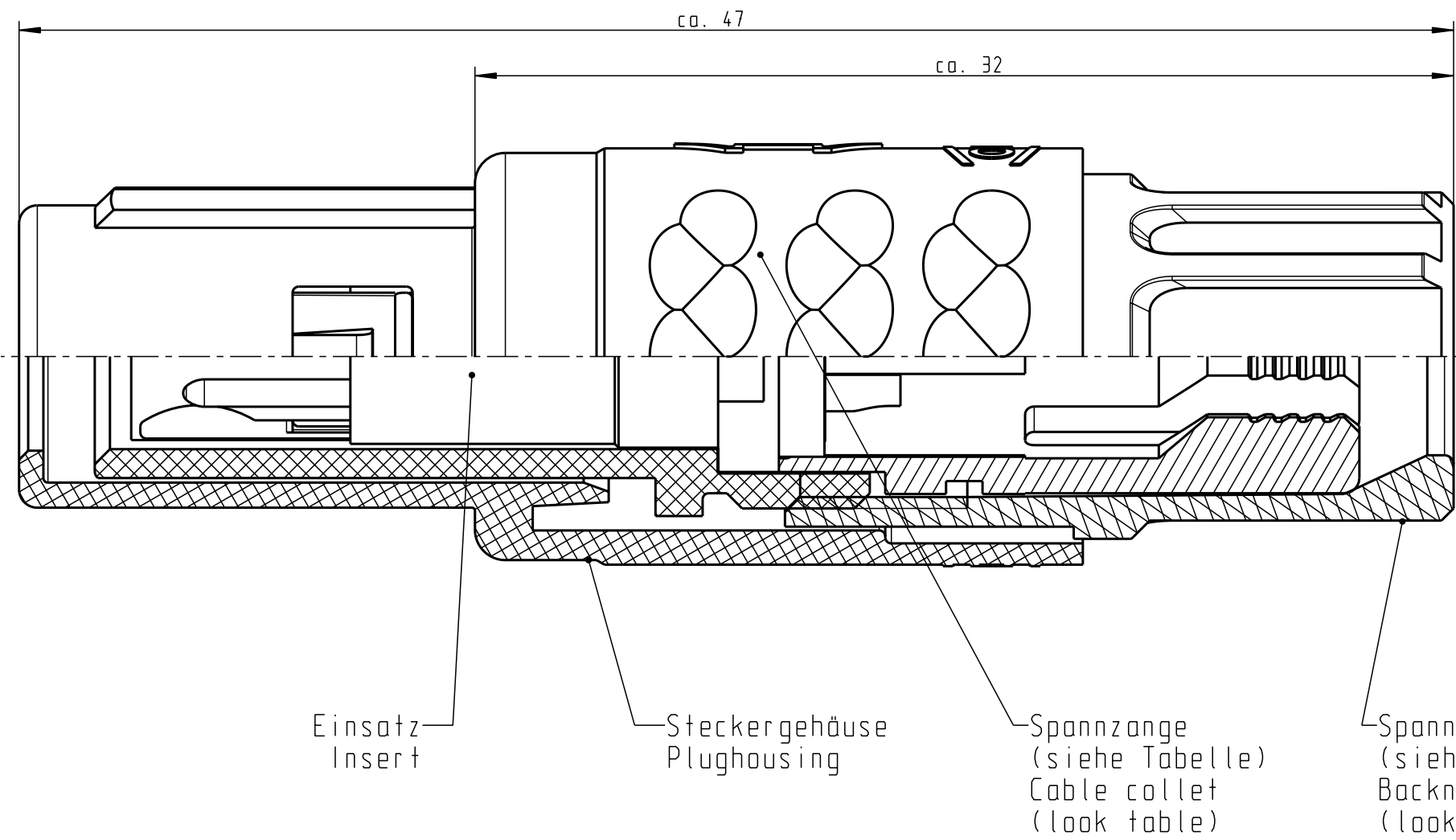


For these drawings, we reserve all rights, including the right to use the drawings for the production of the drawings, without the prior written permission of the manufacturer.

For these drawings, we reserve all rights, including the right to use the drawings for the production of the drawings, without the prior written permission of the manufacturer.

All rights reserved, including possible patents or trademarks. Documents shall not be provided to a third party or duplicated in any form without prior written permission.

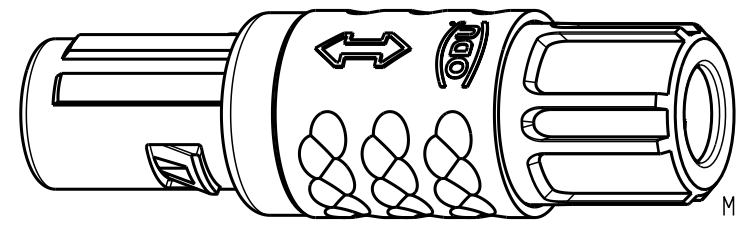
CAD: Pro/ENGINEER



Technische Daten/Technical Data:

Werkstoffe/Materials: Gehäuse/Housing: PSU / grau / grey
 Kontakte/Contacts: Cu-Legierung /Cu-alloy
 Isolierkörper/Insulation Body: PEEK
 Oberflächen/Surfaces: Gehäuse/Housing Kontakte/Contacts: gal. Au
 Schutzart im gesteckten Zustand: IP 50 /Protection Class in mated condition

Kontakt \varnothing /Contact \varnothing : $\varnothing 0.9\text{ mm}$
 Anschluß/Termination: 0.38 mm² / AWG 22
 Prüfspannung/Test Voltage: 1.9 kV DC (SAE AS 13441)
 Strombelastung/Current Load: Einzelkontakte/single contacts 10 A
 4-polig / 4-pos.: (IEC 512-3 / VDE 0298 T4) 10 A



⊙	S11MA7-P04MJGO-..20	rot / red
	S11MA7-P04MJGO-..30	weiß / white
	S11MA7-P04MJGO-..40	gelb / yellow
	S11MA7-P04MJGO-..50	grün / green
	S11MA7-P04MJGO-..60	blau / blue
	S11MA7-P04MJGO-..70	grau / grey
	S11MA7-P04MJGO-..80	schwarz / black
	Artikelnummer Partnumber	Farbe Spannmutter Colour Backnut

S11MA7-P04MJGO-39..	min. 2.7 max. 3.9	S11MA7-P04MJGO-..60	blau / blue
S11MA7-P04MJGO-52..	min. 4.0 max. 5.2	S11MA7-P04MJGO-..70	grau / grey
S11MA7-P04MJGO-65..	min. 5.3 max. 6.5	S11MA7-P04MJGO-..80	schwarz / black
Artikelnummer Partnumber	Kabel \varnothing Cable \varnothing	Artikelnummer Partnumber	Farbe Spannmutter Colour Backnut
	Maße ohne Toleranzangabe nach mittel DIN ISO 2768	Rohgew.:	PE-Modell-Nr.: 00020321
	2003 Tag Name	CAD-Nr.: 00022432	Bl.:
	Bearb. 10.02. Gepr. Norm.	Benennung: Stecker cpl. Maßstab: 5:1	
	28.02.08 Neuberger	Zeichnungs Nr.: S11MA7-P04MJGO-....	
And-zust.	Aend.-Mitt. Datum Name	Ersatz für:	
	otto dunkel gmbh	Vervielf. Pause Nr.	

X-ON Electronics

Largest Supplier of Electrical and Electronic Components

Click to view similar products for [Circular Push Pull Connectors](#) category:

Click to view products by [ODU](#) manufacturer:

Other Similar products are found below :

[6407-249V-11273P](#) [6408-201V-13273](#) [6408-202V-13343](#) [6408-202V-17343](#) [EZG.0B.309.CLN](#) [FFA.2S.310.ZLA](#) [FGA.1B.307.CYCD72Z](#)
[FGJ.1B.304.CLLD76](#) [FGJ.1B.306.CWLD72](#) [FGJ.2B.302.CYMD82Z](#) [FGJ.3B.304.CYMD10Z](#) [FGJ.3B.304.CYMD82Z](#) [FHG.1B.303.CYCZ](#)
[PCS.01.250.DLLE24](#) [PHG.0K.305.CYMC40Z](#) [PHG.1K.308.CLLK85](#) [PKG.M0.6BL.LZ](#) [PLC.M1.0SL.LA](#) [GMA.10.290.DN](#)
[GMA.3B.090.DA](#) [PRG.M0.6GL.LC52GZ](#) [PSA.1S.275.CTLC66](#) [133020F](#) [1331ER193MZ](#) [1332M107MZ](#) [EAJ.1B.306.CWA](#)
[ECG.XB.312.CLL](#) [1589430-2](#) [ELF.00.250.NTL](#) [BRR.2S.200.PZVG](#) [HR10A-P](#) [CAH.M34.SLL.C72GZ](#) [CAJ.M34.SLL.C72GZ](#) [300500](#)
[EXG.0B.309.HLN](#) [FFA.2E.302.CLAC80Z](#) [FFB.1S.250.CLAC27](#) [FGA.2B.306.CYCD92Z](#) [FGJ.2B.302.CYMD62Z](#) [FGJ.2B.307.CLLD99](#)
[FGJ.3B.308.CLLD72Z](#) [FHG.1B.303.CYCD62](#) [FLC.00.250.CTAC31](#) [PCS.01.250.DLLE31](#) [PKA.M1.0TL.LG](#) [PKC.M0.7GL.NG](#)
[PKG.M0.4TL.LZ](#) [PPG.M1.0GG.N](#) [PRG.M0.4GL.LC39GZ](#) [PXG.M0.8GG.NG](#)