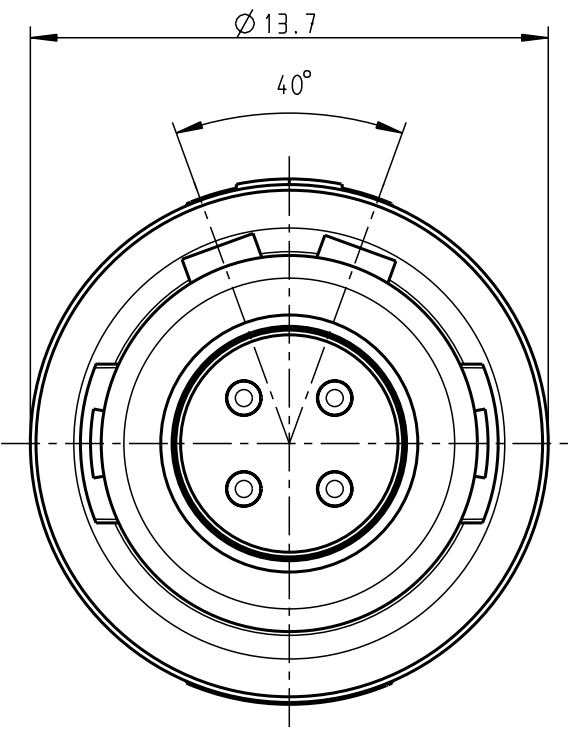
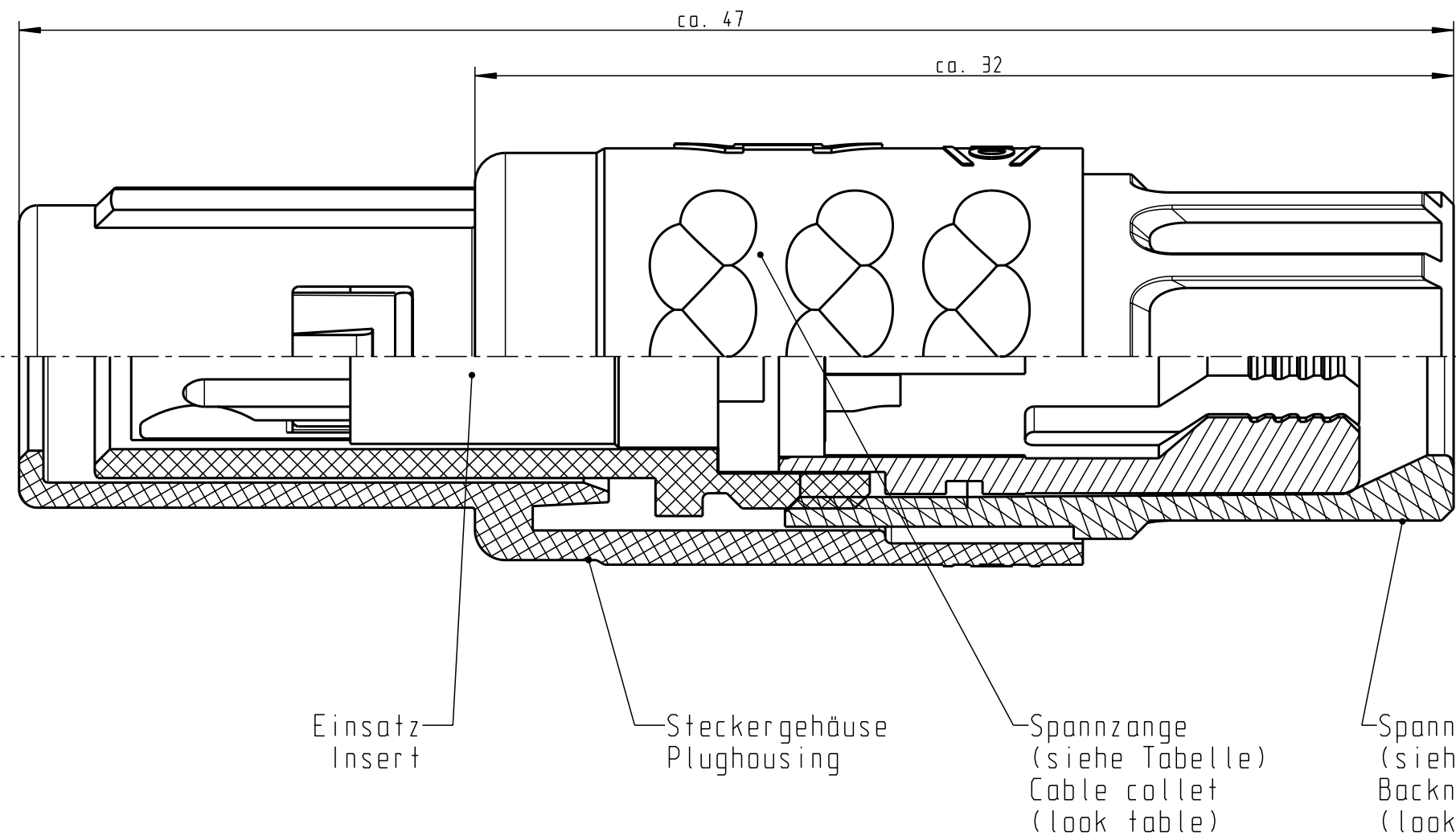


For these drawings, we reserve all rights, including the right to use the drawings for the production of the drawings, without the prior written permission of the manufacturer.

For these drawings, we reserve all rights, including the right to use the drawings for the production of the drawings, without the prior written permission of the manufacturer.

All rights reserved, including possible patents or trademarks. Documents shall not be provided to a third party or duplicated in any form without prior written permission.

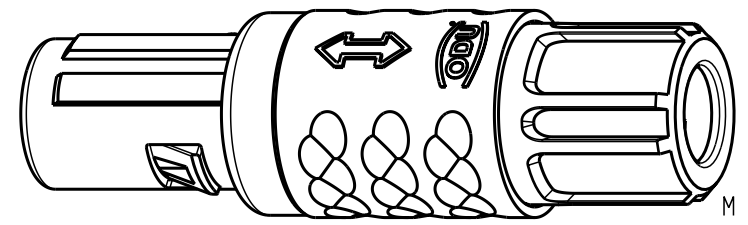
CAD: Pro/ENGINEER




Technische Daten/Technical Data:

Werkstoffe/Materials: Gehäuse/Housing: PSU / grau / grey
 Kontakte/Contacts: Cu-Legierung /Cu-alloy
 Isolierkörper/Insulation Body: PEEK
 Oberflächen/Surfaces: Gehäuse/Housing: gal. Au
 Schutzart im gesteckten Zustand: IP 50 /Protection Class in mated condition

KontaktØ /ContactØ: Ø 0.9 mm
 Anschluß/Termination: 0.38 mm² AWG 22
 Prüfspannung/Test Voltage: 1.9 kV DC (SAE AS 13441)
 Strombelastung/Current Load: Einzelkontakte/single contacts 10 A
 4-polig / 4-pos.: 10 A (IEC 512-3 / VDE 0298 T4)



S11MA7-P04MJGO-..20	rot / red		
S11MA7-P04MJGO-..30	weiß / white		
S11MA7-P04MJGO-..40	gelb / yellow		
S11MA7-P04MJGO-..50	grün / green		
S11MA7-P04MJGO-..60	blau / blue		
S11MA7-P04MJGO-..70	grau / grey		
S11MA7-P04MJGO-..80	schwarz / black		
Artikelnummer Partnumber	KabelØ CableØ	Artikelnummer Partnumber	Farbe Spannmutter Colour Backnut

Maße ohne Toleranzangabe nach mittel DIN ISO 2768		Rahteil: hierzu Stückliste		Rohgew.:	PE-Modell-Nr.: 00020321
2003	Tag	Name	Benennung:	CAD-Nr.: 00022432	Bl.: 5:1
Bearb.	10.02.	Braun F.	Stecker cpl.	Zeichnungs Nr.: S11MA7-P04MJGO-....	Vervielf. Pause
Gepr.					
Norm.			Ersatz für:		Nr.
And-zust.	Aend.-Mitt.	Datum	Name	 otto dunkel gmbh	

X-ON Electronics

Largest Supplier of Electrical and Electronic Components

Click to view similar products for [Circular Push Pull Connectors](#) category:

Click to view products by [ODU](#) manufacturer:

Other Similar products are found below :

[6407-249V-11273P](#) [6408-201V-13273](#) [6408-202V-13343](#) [6408-202V-17343](#) [EZG.0B.309.CLN](#) [FFA.2S.310.ZLA](#) [FGA.1B.307.CYCD72Z](#)
[FGJ.1B.304.CLLD76](#) [FGJ.1B.306.CWLD72](#) [FGJ.2B.302.CYMD82Z](#) [FGJ.3B.304.CYMD10Z](#) [FGJ.3B.304.CYMD82Z](#) [FHG.1B.303.CYCZ](#)
[PCS.01.250.DLLE24](#) [PHG.0K.305.CYMC40Z](#) [PHG.1K.308.CLLK85](#) [PKG.M0.6BL.LZ](#) [PLC.M1.0SL.LA](#) [GMA.10.290.DN](#)
[GMA.3B.090.DA](#) [PRG.M0.6GL.LC52GZ](#) [PSA.1S.275.CTLC66](#) [133020F](#) [1331ER193MZ](#) [1332M107MZ](#) [EAJ.1B.306.CWA](#)
[ECG.XB.312.CLL](#) [1589430-2](#) [ELF.00.250.NTL](#) [BRR.2S.200.PZVG](#) [HR10A-P](#) [CAH.M34.SLL.C72GZ](#) [CAJ.M34.SLL.C72GZ](#) [300500](#)
[EXG.0B.309.HLN](#) [FFA.2E.302.CLAC80Z](#) [FFB.1S.250.CLAC27](#) [FGA.2B.306.CYCD92Z](#) [FGJ.2B.302.CYMD62Z](#) [FGJ.2B.307.CLLD99](#)
[FGJ.3B.308.CLLD72Z](#) [FHG.1B.303.CYCD62](#) [FLC.00.250.CTAC31](#) [PCS.01.250.DLLE31](#) [PKA.M1.0TL.LG](#) [PKC.M0.7GL.NG](#)
[PKG.M0.4TL.LZ](#) [PPG.M1.0GG.N](#) [PRG.M0.4GL.LC39GZ](#) [PXG.M0.8GG.NG](#)