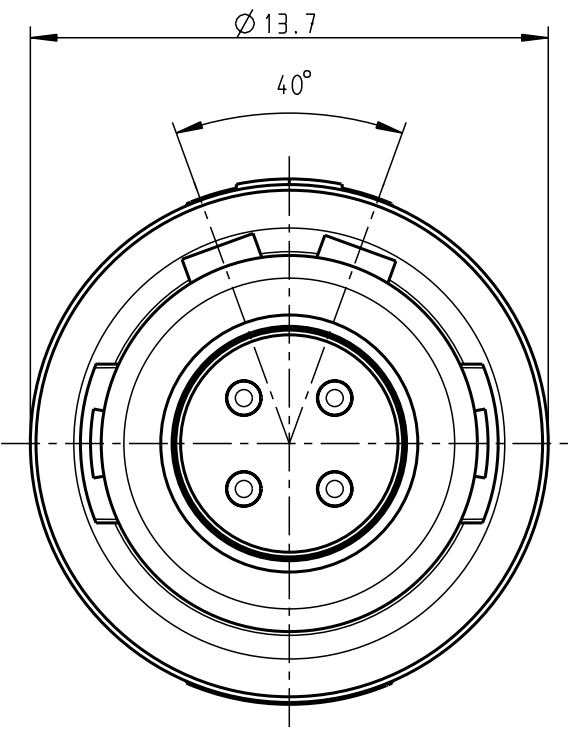
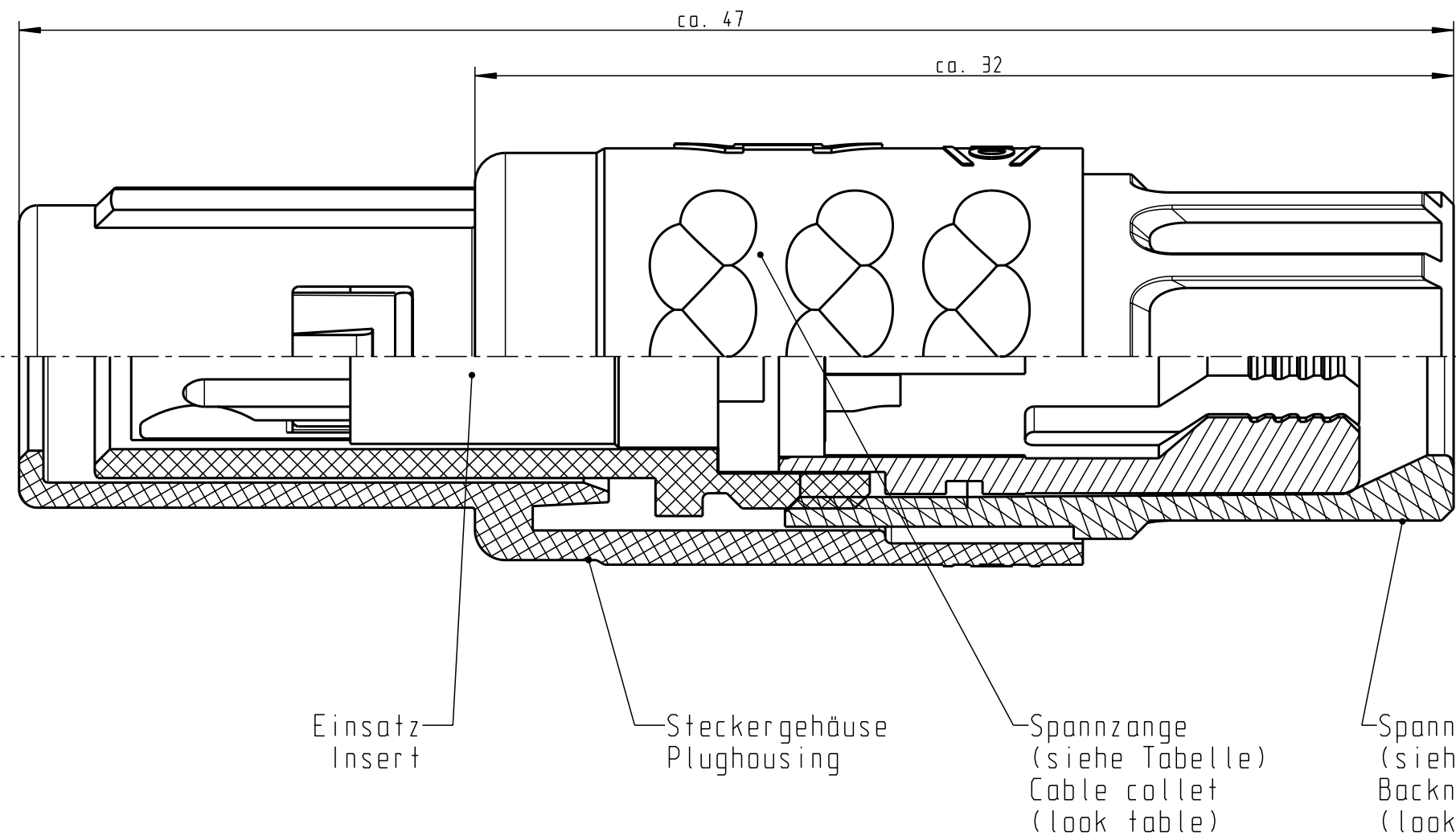


For these drawings, we reserve all rights, including the right to use the drawings for the production of the drawings, without the prior written permission of the manufacturer.

For these drawings, we reserve all rights, including the right to use the drawings for the production of the drawings, without the prior written permission of the manufacturer.

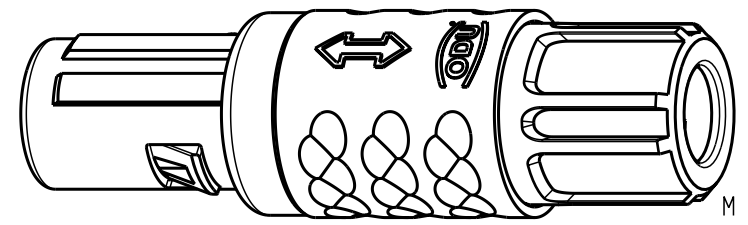
All rights reserved, including possible patents or trademarks. Documents shall not be provided to a third party or duplicated in any form without prior written permission.

CAD: Pro/ENGINEER



Technische Daten/Technical Data:

Werkstoffe/Materials: Gehäuse/Housing:	PSU / grau / grey	KontaktØ / ContactØ:	Ø 0.9 mm
Kontakte/Contacts:	Cu-Legierung /Cu-alloy	Anschluß/Termination: Löt/Solder	0.38 mm <sup>2</sup> AWG 22
Isolierkörper/Insulation Body:	PEEK	Prüfspannung/Test Voltage:	1.9 kV DC (SAE AS 13441)
Oberflächen/Surfaces: Gehäuse/Housing		Strombelastung/Current Load: Einzelkontakte/single contacts 4-polig / 4-pos.:	10 A 10 A
Kontakte/Contacts:	gal. Au		(IEC 512-3 / VDE 0298 T4)
Schutzart im gesteckten Zustand: IP 50 /Protection Class in mated condition			



S11MA7-P04MJGO-..20	rot / red		
S11MA7-P04MJGO-..30	weiß / white		
S11MA7-P04MJGO-..40	gelb / yellow		
S11MA7-P04MJGO-..50	grün / green		
S11MA7-P04MJGO-..60	blau / blue		
S11MA7-P04MJGO-..70	grau / grey		
S11MA7-P04MJGO-..80	schwarz / black		
Artikelnummer Partnumber	KabelØ CableØ	Artikelnummer Partnumber	Farbe Spannmutter Colour Backnut

Maße ohne Toleranzangabe nach mittel DIN ISO 2768		Rahteil: hierzu Stückliste		Rohgew.:	PE-Modell-Nr.: 00020321
2003	Tag	Name	Benennung:	CAD-Nr.:	00022432
Bearb.	10.02.	Braun F.	Stecker cpl.		Bl.:
Gepr.				Maßstab: 5:1	
Norm.			Zeichnungs Nr.:		Vervielf. Pause
			S11MA7-P04MJGO-....		
And-zust.	Aend.-Mitt.	Datum	Name	Ersatz für:	
		28.02.08	Neuberger	Nr.	



## X-ON Electronics

Largest Supplier of Electrical and Electronic Components

*Click to view similar products for [Circular Push Pull Connectors](#) category:*

*Click to view products by [ODU](#) manufacturer:*

Other Similar products are found below :

[6407-249V-11273P](#) [6408-201V-13273](#) [6408-202V-13343](#) [6408-202V-17343](#) [EZG.0B.309.CLN](#) [FFA.2S.310.ZLA](#) [FGA.1B.307.CYCD72Z](#)  
[FGJ.1B.304.CLLD76](#) [FGJ.1B.306.CWLD72](#) [FGJ.2B.302.CYMD82Z](#) [FGJ.3B.304.CYMD10Z](#) [FGJ.3B.304.CYMD82Z](#) [FHG.1B.303.CYCZ](#)  
[PCS.01.250.DLLE24](#) [PHG.0K.305.CYMC40Z](#) [PHG.1K.308.CLLK85](#) [PKG.M0.6BL.LZ](#) [PLC.M1.0SL.LA](#) [GMA.10.290.DN](#)  
[GMA.3B.090.DA](#) [PRG.M0.6GL.LC52GZ](#) [PSA.1S.275.CTLC66](#) [133020F](#) [1331ER193MZ](#) [1332M107MZ](#) [EAJ.1B.306.CWA](#)  
[ECG.XB.312.CLL](#) [1589430-2](#) [ELF.00.250.NTL](#) [BRR.2S.200.PZVG](#) [HR10A-P](#) [CAH.M34.SLL.C72GZ](#) [CAJ.M34.SLL.C72GZ](#) [300500](#)  
[EXG.0B.309.HLN](#) [FFA.2E.302.CLAC80Z](#) [FFB.1S.250.CLAC27](#) [FGA.2B.306.CYCD92Z](#) [FGJ.2B.302.CYMD62Z](#) [FGJ.2B.307.CLLD99](#)  
[FGJ.3B.308.CLLD72Z](#) [FHG.1B.303.CYCD62](#) [FLC.00.250.CTAC31](#) [PCS.01.250.DLLE31](#) [PKA.M1.0TL.LG](#) [PKC.M0.7GL.NG](#)  
[PKG.M0.4TL.LZ](#) [PPG.M1.0GG.N](#) [PRG.M0.4GL.LC39GZ](#) [PXG.M0.8GG.NG](#)