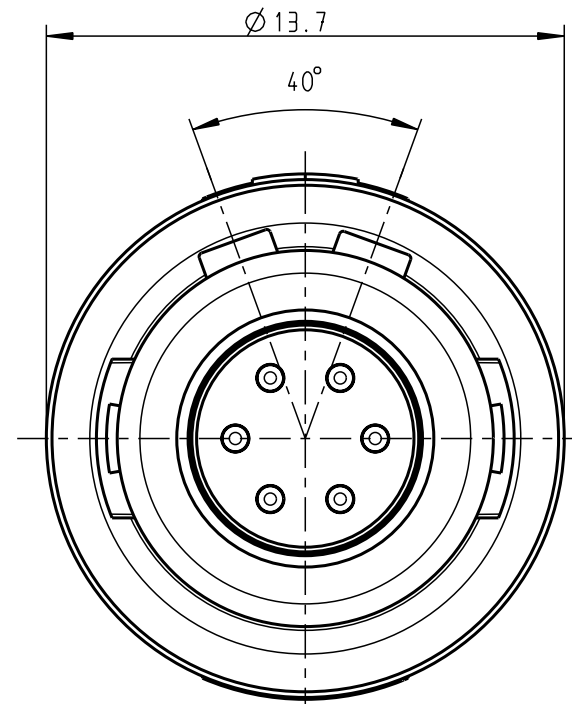
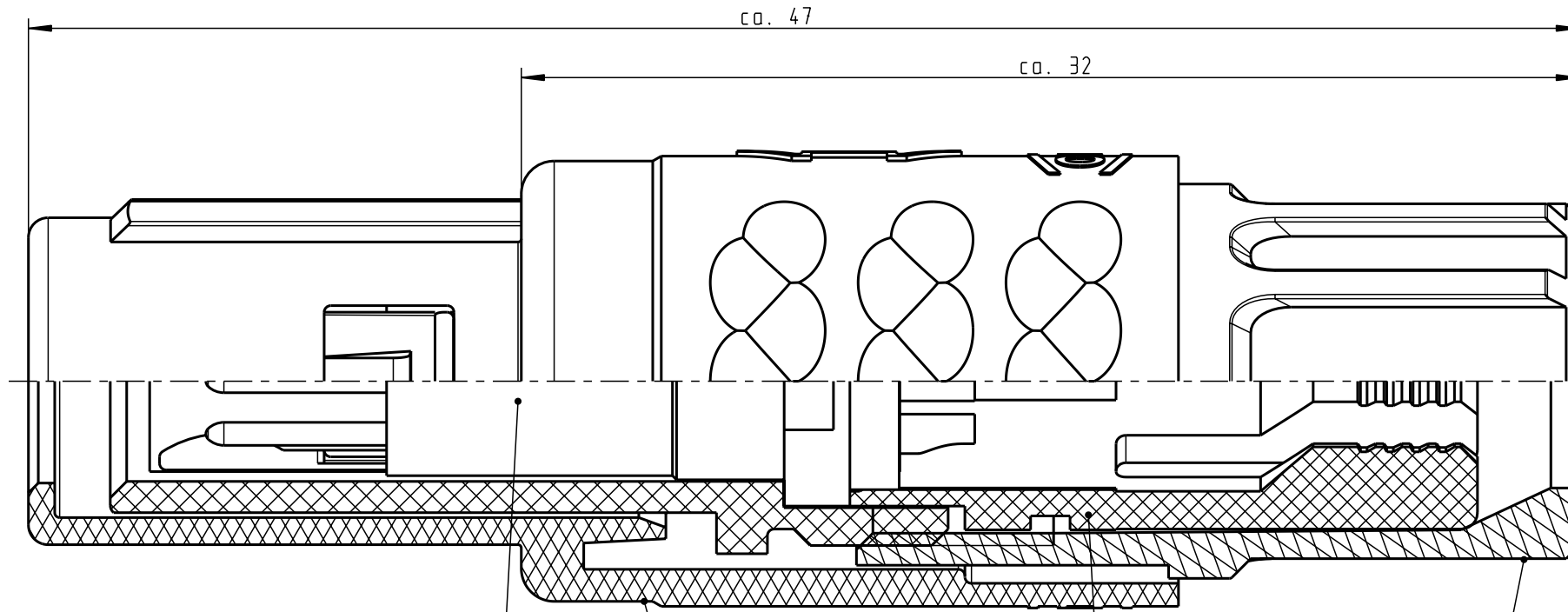


For these drawings, all rights reserved. For the use of these drawings, the user must obtain the necessary permission from the manufacturer. The user is responsible for the correct use of the drawings. The manufacturer is not liable for any damage or injury resulting from the use of the drawings.

For these drawings, all rights reserved. For the use of these drawings, the user must obtain the necessary permission from the manufacturer. The user is responsible for the correct use of the drawings. The manufacturer is not liable for any damage or injury resulting from the use of the drawings.

All rights reserved, including possible patents or trademarks. Documents shall not be provided to a third party or duplicated in any form without prior written permission.

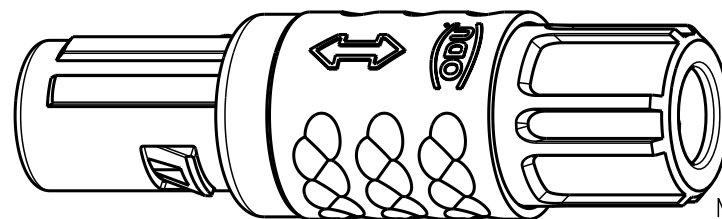
CAD: Pro/ENGINEER



Technische Daten/Technical Data:

Werkstoffe/Materials: PSU / grau / grey  
 Gehäuse/Housing: PSU / grau / grey  
 Kontakte/Contacts: Cu-Legierung / Cu-alloy  
 Isolierkörper/Insulation Body: PEEK  
 Oberflächen/Surfaces: gal. Au  
 Kontakte/Contacts: gal. Au  
 Schutzart im gesteckten Zustand: IP 50 / Protection Class in mated condition

KontaktØ / ContactØ: Ø 0.7 mm  
 Anschluß/Termination: 0.38mm<sup>2</sup> AWG 22  
 Löt/Solder  
 Prüfspannung/Test Voltage: 1.35 kV DC (SAE AS 13441)  
 Strombelastung/Current Load: 7 A  
 Einzelkontakte/single contacts: 4.55 A  
 6-polig / 6-pos.: (IEC 512-3 / VDE 0298 T4)



M 2:1

S11MA7-P06MFG0-..20	rot / red
S11MA7-P06MFG0-..30	weiß / white
S11MA7-P06MFG0-..40	gelb / yellow
S11MA7-P06MFG0-..50	grün / green
S11MA7-P06MFG0-..60	blau / blue
S11MA7-P06MFG0-..70	grau / grey
S11MA7-P06MFG0-..80	schwarz / black

S11MA7-P06MFG0-39..	min. 2.7	max. 3.9
S11MA7-P06MFG0-52..	min. 4.0	max. 5.2
S11MA7-P06MFG0-65..	min. 5.3	max. 6.5

Artikelnummer Partnumber	KabelØ CableØ	Artikelnummer Partnumber	Farbe Spannmutter Colour Backnut
Maße ohne Toleranzangabe nach mittel DIN ISO 2768		Rohgew.:	PE-Modell-Nr.: 00036007
2007	Tag	Name	Benennung: <b>Stecker cpl.</b>
Bearb.	26.09.	D.Stein	
Gepr.			
Norm.		Maßstab: <b>5:1</b>	
 <b>otto dunkel gmbh</b>		Zeichnungs-Nr.: <b>S11MA7-P06MFG0-....</b>	
And-zust.	Aend.-Mitt.	Datum	Name
Ersatz für:		Vervielf. Pause	
		Nr.	

## X-ON Electronics

Largest Supplier of Electrical and Electronic Components

*Click to view similar products for [Circular Push Pull Connectors](#) category:*

*Click to view products by [ODU manufacturer](#):*

Other Similar products are found below :

[6407-249V-11273P](#) [6408-201V-13273](#) [6408-202V-13343](#) [6408-202V-17343](#) [EZG.0B.309.CLN](#) [FFA.2S.310.ZLA](#) [FGA.1B.307.CYCD72Z](#)  
[FGJ.1B.304.CLLD76](#) [FGJ.1B.306.CWLD72](#) [FGJ.2B.302.CYMD82Z](#) [FGJ.3B.304.CYMD10Z](#) [FGJ.3B.304.CYMD82Z](#) [FHG.1B.303.CYCZ](#)  
[PCS.01.250.DLLE24](#) [PHG.0K.305.CYMC40Z](#) [PHG.1K.308.CLLK85](#) [PKG.M0.6BL.LZ](#) [PLC.M1.0SL.LA](#) [GMA.10.290.DN](#)  
[GMA.3B.090.DA](#) [PRG.M0.6GL.LC52GZ](#) [PSA.1S.275.CTLC66](#) [133020F](#) [1331ER193MZ](#) [1332M107MZ](#) [EAJ.1B.306.CWA](#)  
[ECG.XB.312.CLL](#) [1589430-2](#) [ELF.00.250.NTL](#) [BRR.2S.200.PZVG](#) [HR10A-P](#) [CAH.M34.SLL.C72GZ](#) [CAJ.M34.SLL.C72GZ](#) [300500](#)  
[EXG.0B.309.HLN](#) [FFA.2E.302.CLAC80Z](#) [FFB.1S.250.CLAC27](#) [FGA.2B.306.CYCD92Z](#) [FGJ.2B.302.CYMD62Z](#) [FGJ.2B.307.CLLD99](#)  
[FGJ.3B.308.CLLD72Z](#) [FHG.1B.303.CYCD62](#) [FLC.00.250.CTAC31](#) [PCS.01.250.DLLE31](#) [PKA.M1.0TL.LG](#) [PKC.M0.7GL.NG](#)  
[PKG.M0.4TL.LZ](#) [PPG.M1.0GG.N](#) [PRG.M0.4GL.LC39GZ](#) [PXG.M0.8GG.NG](#)