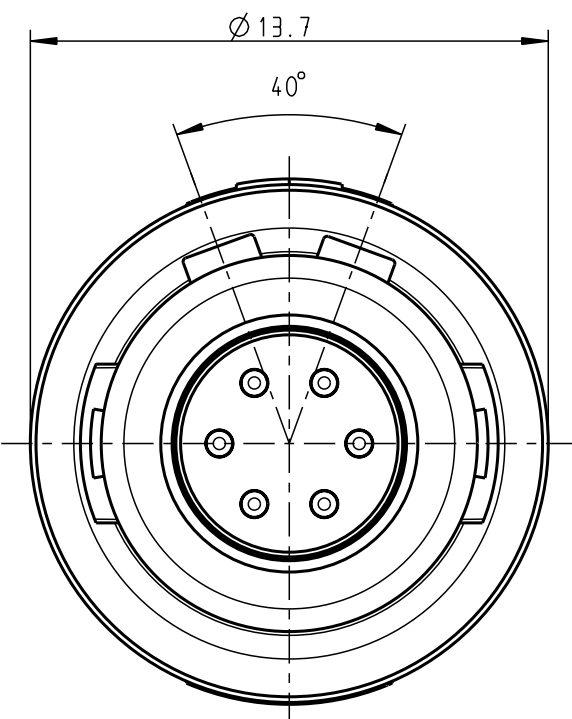
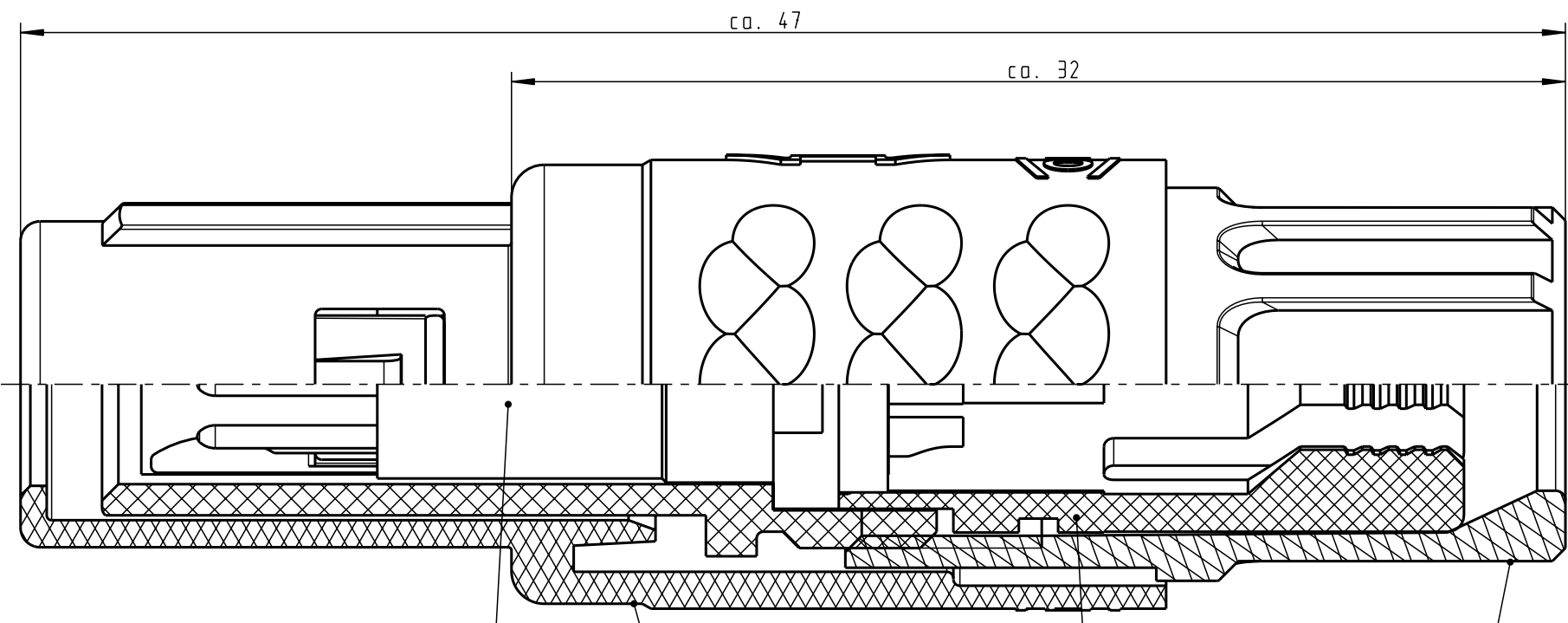


For these drawings, we reserve all rights, also for the patent application or the use of the drawings for other purposes without our prior written permission.

Only red stamped or on-jobcard printed documents are managed. These documents are approved for production.

All rights reserved, including possible patents or trademarks. Documents shall not be provided to a third party or duplicated in any form without prior written permission.

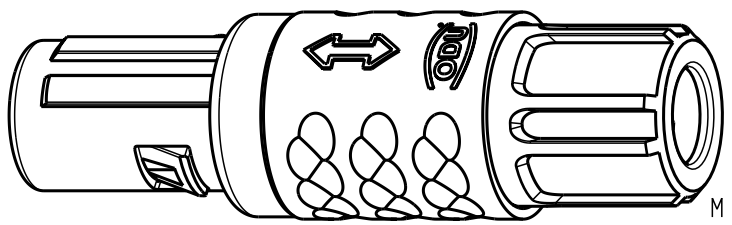
CAD: Pro/ENGINEER



Technische Daten/Technical Data:

Werkstoffe/Materials: PSU / grau / grey  
 Gehäuse/Housing: PSU / grau / grey  
 Kontakte/Contacts: Cu-Legierung / Cu-alloy  
 Isolierkörper/Insulation Body: PEEK  
 Oberflächen/Surfaces: gal. Au  
 Kontakte/Contacts: gal. Au  
 Schutzart im gesteckten Zustand: IP 50 / Protection Class in mated condition


KontaktØ / ContactØ: Ø 0.7 mm  
 Anschluß/Termination: 0.38mm<sup>2</sup> AWG 22  
 Löt/Solder  
 Prüfspannung/Test Voltage: 1.35 kV DC (SAE AS 13441)  
 Strombelastung/Current Load: Einzelkontakte/single contacts 7 A  
 6-polig / 6-pos.: 4.55 A  
 (IEC 512-3 / VDE 0298 T4)



M 2:1

S11MA7-P06MFG0-..20	rot / red
S11MA7-P06MFG0-..30	weiß / white
S11MA7-P06MFG0-..40	gelb / yellow
S11MA7-P06MFG0-..50	grün / green
S11MA7-P06MFG0-..60	blau / blue
S11MA7-P06MFG0-..70	grau / grey
S11MA7-P06MFG0-..80	schwarz / black

S11MA7-P06MFG0-39..	min. 2.7	max. 3.9	S11MA7-P06MFG0-..60	blau / blue
S11MA7-P06MFG0-52..	min. 4.0	max. 5.2	S11MA7-P06MFG0-..70	grau / grey
S11MA7-P06MFG0-65..	min. 5.3	max. 6.5	S11MA7-P06MFG0-..80	schwarz / black

Maße ohne Toleranzangabe nach DIN ISO 2768		Rohteil:		Rohgew.:	PE-Modell-Nr.: 00036007
2007	Tag	Name	Benennung:	CAD-Nr.: 00035961	Bl.: 5:1
Bearb.	26.09.	D.Stein	Stecker cpl.	Zeichnungs-Nr.: S11MA7-P06MFG0-....	Vervielf. Pause
Gepr.					
Norm.			 otto dunkel gmbh		
And-zust.	Aend.-Mitt.	Datum			Name

## X-ON Electronics

Largest Supplier of Electrical and Electronic Components

*Click to view similar products for [Circular Push Pull Connectors](#) category:*

*Click to view products by [ODU](#) manufacturer:*

Other Similar products are found below :

[6407-249V-11273P](#) [6408-201V-13273](#) [6408-202V-13343](#) [6408-202V-17343](#) [EZG.0B.309.CLN](#) [FFA.2S.310.ZLA](#) [FGA.1B.307.CYCD72Z](#)  
[FGJ.1B.304.CLLD76](#) [FGJ.1B.306.CWLD72](#) [FGJ.2B.302.CYMD82Z](#) [FGJ.3B.304.CYMD10Z](#) [FGJ.3B.304.CYMD82Z](#) [FHG.1B.303.CYCZ](#)  
[PCS.01.250.DLLE24](#) [PHG.0K.305.CYMC40Z](#) [PHG.1K.308.CLLK85](#) [PKG.M0.6BL.LZ](#) [PLC.M1.0SL.LA](#) [GMA.10.290.DN](#)  
[GMA.3B.090.DA](#) [PRG.M0.6GL.LC52GZ](#) [PSA.1S.275.CTLC66](#) [133020F](#) [1331ER193MZ](#) [1332M107MZ](#) [EAJ.1B.306.CWA](#)  
[ECG.XB.312.CLL](#) [1589430-2](#) [ELF.00.250.NTL](#) [BRR.2S.200.PZVG](#) [HR10A-P](#) [CAH.M34.SLL.C72GZ](#) [CAJ.M34.SLL.C72GZ](#) [300500](#)  
[EXG.0B.309.HLN](#) [FFA.2E.302.CLAC80Z](#) [FFB.1S.250.CLAC27](#) [FGA.2B.306.CYCD92Z](#) [FGJ.2B.302.CYMD62Z](#) [FGJ.2B.307.CLLD99](#)  
[FGJ.3B.308.CLLD72Z](#) [FHG.1B.303.CYCD62](#) [FLC.00.250.CTAC31](#) [PCS.01.250.DLLE31](#) [PKA.M1.0TL.LG](#) [PKC.M0.7GL.NG](#)  
[PKG.M0.4TL.LZ](#) [PPG.M1.0GG.N](#) [PRG.M0.4GL.LC39GZ](#) [PXG.M0.8GG.NG](#)