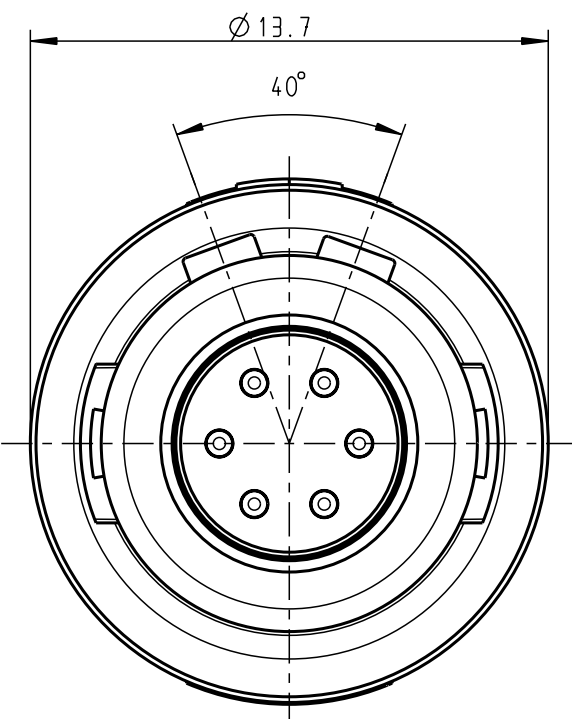
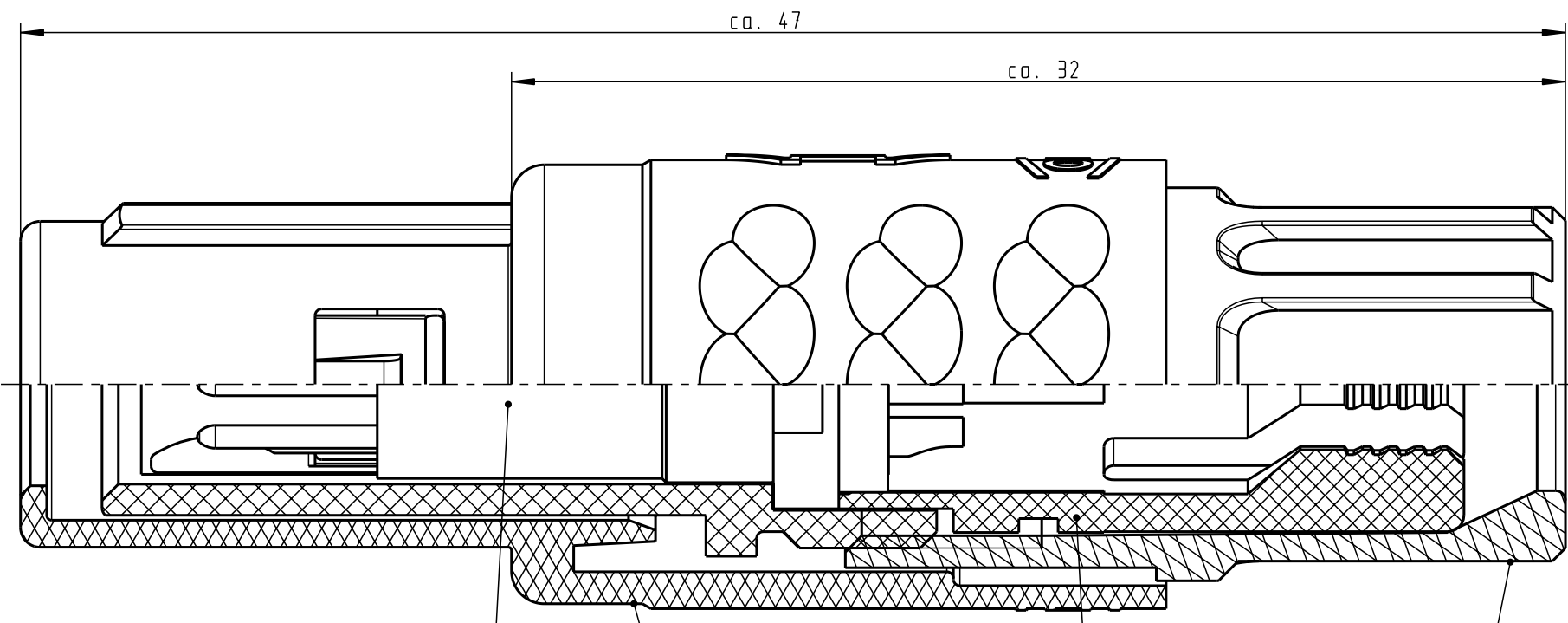


For these drawings, we reserve all rights, also for the use of the patent rights or the right of first refusal, without the need for a separate agreement. The drawings are not to be used for the production of parts without the written consent of ODU.

Only red stamped or on-jobcard printed documents are managed. These documents are approved for production.

All rights reserved, including possible patents or trademarks. Documents shall not be provided to a third party or duplicated in any form without prior written permission.

CAD: Pro/ENGINEER

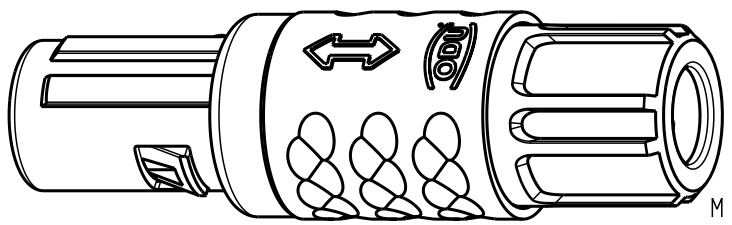


Einsatz Insert
 Steckergehäuse Plughousing
 Spannzange (siehe Tabelle) Cable collet (look table)
 Spannmutter (siehe Tabelle) Backnut (look table)

Technische Daten/Technical Data:


Werkstoffe/Materials: PSU / grau / grey
 Gehäuse/Housing: PSU / grau / grey
 Kontakte/Contacts: Cu-Legierung / Cu-alloy
 Isolierkörper/Insulation Body: PEEK
 Oberflächen/Surfaces: gal. Au
 Kontakte/Contacts: gal. Au
 Schutzart im gesteckten Zustand: IP 50 / Protection Class in mated condition

KontaktØ / ContactØ: Ø 0.7 mm
 Anschluß/Termination: 0.38mm² AWG 22
 Löt/Solder
 Prüfspannung/Test Voltage: 1.35 kV DC (SAE AS 13441)
 Strombelastung/Current Load: Einzelkontakte/single contacts 7 A
 6-polig / 6-pos.: 4.55 A
 (IEC 512-3 / VDE 0298 T4)



S11MA7-P06MFG0-..20	rot / red
S11MA7-P06MFG0-..30	weiß / white
S11MA7-P06MFG0-..40	gelb / yellow
S11MA7-P06MFG0-..50	grün / green
S11MA7-P06MFG0-..60	blau / blue
S11MA7-P06MFG0-..70	grau / grey
S11MA7-P06MFG0-..80	schwarz / black

S11MA7-P06MFG0-39..	min. 2.7	max. 3.9
S11MA7-P06MFG0-52..	min. 4.0	max. 5.2
S11MA7-P06MFG0-65..	min. 5.3	max. 6.5

Maße ohne Toleranzangabe nach DIN ISO 2768		Rohteil:		Rohgew.:	PE-Modell-Nr.: 00036007
2007	Tag	Name	Benennung:	CAD-Nr.: 00035961	Bl.: 5:1
Bearb.	26.09.	D.Stein	Stecker cpl.	Zeichnungs-Nr.: S11MA7-P06MFG0-....	Vervielf. Pause
Gepr.					
Norm.			 otto dunkel gmbh		
And-zust.	Aend.-Mitt.	Datum			Name

X-ON Electronics

Largest Supplier of Electrical and Electronic Components

Click to view similar products for [Circular Push Pull Connectors](#) category:

Click to view products by [ODU](#) manufacturer:

Other Similar products are found below :

[6407-249V-11273P](#) [6408-201V-13273](#) [6408-202V-13343](#) [6408-202V-17343](#) [EZG.0B.309.CLN](#) [FFA.2S.310.ZLA](#) [FGA.1B.307.CYCD72Z](#)
[FGJ.1B.304.CLLD76](#) [FGJ.1B.306.CWLD72](#) [FGJ.2B.302.CYMD82Z](#) [FGJ.3B.304.CYMD10Z](#) [FGJ.3B.304.CYMD82Z](#) [FHG.1B.303.CYCZ](#)
[PCS.01.250.DLLE24](#) [PHG.0K.305.CYMC40Z](#) [PHG.1K.308.CLLK85](#) [PKG.M0.6BL.LZ](#) [PLC.M1.0SL.LA](#) [GMA.10.290.DN](#)
[GMA.3B.090.DA](#) [PRG.M0.6GL.LC52GZ](#) [PSA.1S.275.CTLC66](#) [133020F](#) [1331ER193MZ](#) [1332M107MZ](#) [EAJ.1B.306.CWA](#)
[ECG.XB.312.CLL](#) [1589430-2](#) [ELF.00.250.NTL](#) [BRR.2S.200.PZVG](#) [HR10A-P](#) [CAH.M34.SLL.C72GZ](#) [CAJ.M34.SLL.C72GZ](#) [300500](#)
[EXG.0B.309.HLN](#) [FFA.2E.302.CLAC80Z](#) [FFB.1S.250.CLAC27](#) [FGA.2B.306.CYCD92Z](#) [FGJ.2B.302.CYMD62Z](#) [FGJ.2B.307.CLLD99](#)
[FGJ.3B.308.CLLD72Z](#) [FHG.1B.303.CYCD62](#) [FLC.00.250.CTAC31](#) [PCS.01.250.DLLE31](#) [PKA.M1.0TL.LG](#) [PKC.M0.7GL.NG](#)
[PKG.M0.4TL.LZ](#) [PPG.M1.0GG.N](#) [PRG.M0.4GL.LC39GZ](#) [PXG.M0.8GG.NG](#)