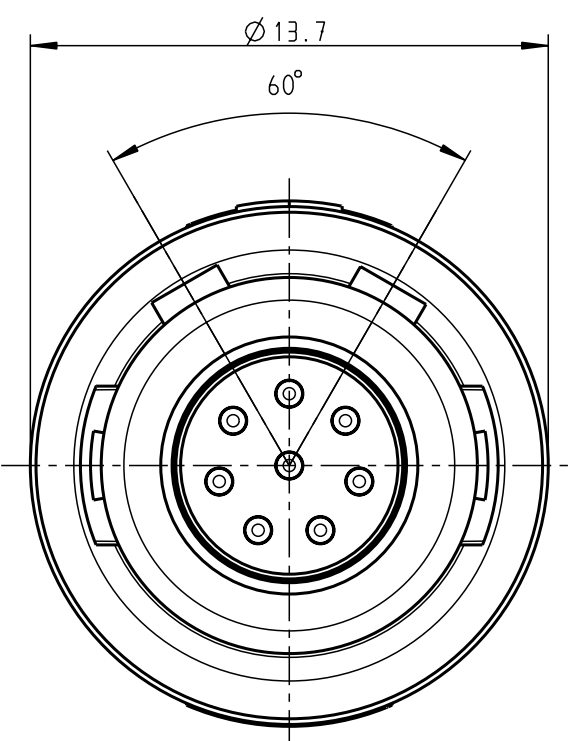
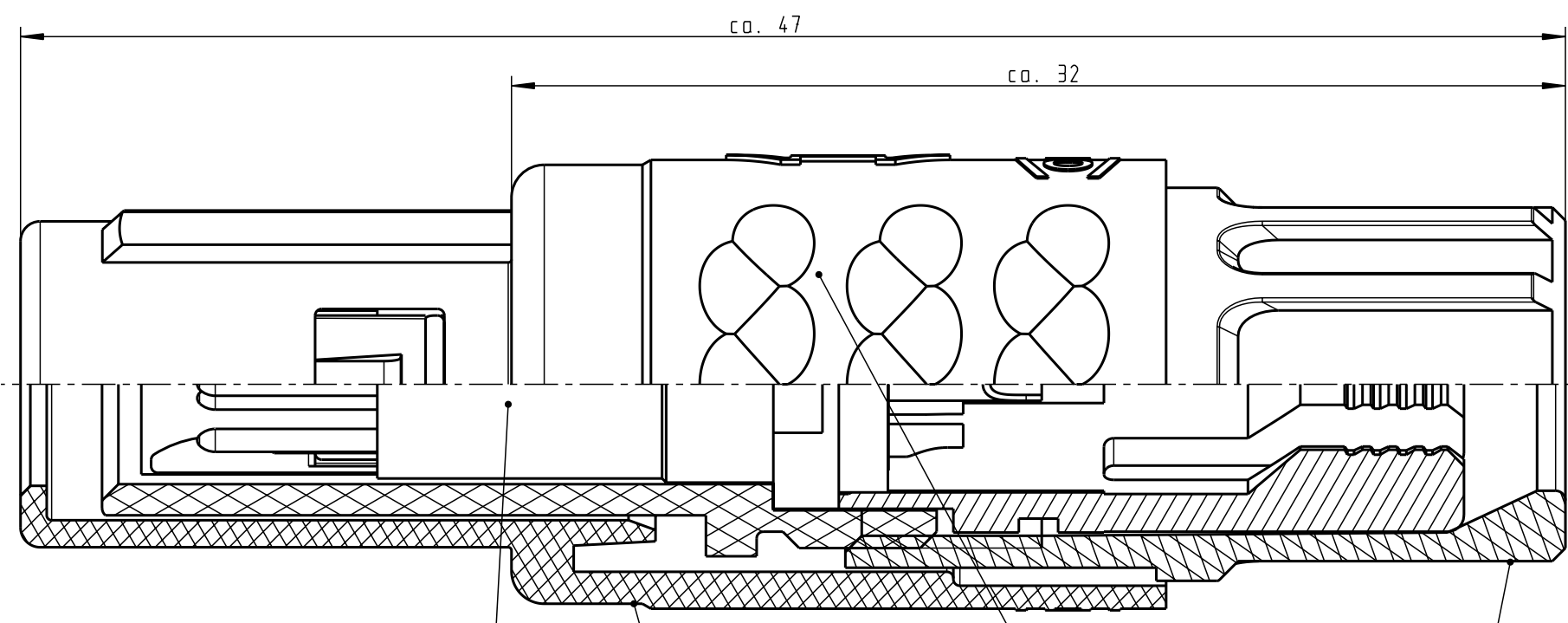


For these drawings, we reserve all rights, including the right to use the drawings for other purposes without our consent. The drawings are not to be used for manufacturing or repair work without our written permission.

For these drawings, we reserve all rights, including the right to use the drawings for other purposes without our consent. The drawings are not to be used for manufacturing or repair work without our written permission.

All rights reserved, including possible patents or trademarks. Documents shall not be provided to a third party or duplicated in any form without prior written permission.

CAD: Pro/ENGINEER

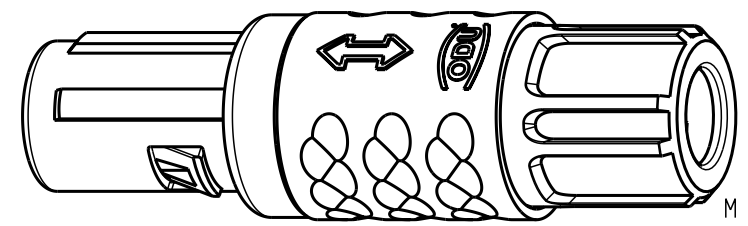


Einsatz Insert
 Steckergehäuse Plughousing
 Spannzange (siehe Tabelle) Cable collet (look table)
 Spannmutter (siehe Tabelle) Backnut (look table)

Technische Daten/Technical Data:


Werkstoffe/Materials: Gehäuse/Housing: PSU / grau / grey
 Kontakte/Contacts: Cu-Legierung /Cu-alloy
 Isolierkörper/Insulation Body: PEEK
 Oberflächen/Surfaces: Gehäuse/Housing: gal. Au
 Kontakte/Contacts: gal. Au
 Schutzart im gesteckten Zustand: IP 50 /Protection Class in mated condition

KontaktØ /ContactØ: Ø0.7 mm
 Anschluß/Termination: Löt/Solder 0.15 mm² AWG 26
 Prüfspannung/Test Voltage: 1.6 kV DC (SAE AS13441)
 Strombelastung/Current Load: Einzelkontakte/single contacts 7 A
 8-polig / 8-pos.: 3.85 A (IEC 512-3 / VDE 0298 T4)



⊙	S11MC7-P08MFDO-..20	rot / red
	S11MC7-P08MFDO-..30	weiß / white
	S11MC7-P08MFDO-..40	gelb / yellow
	S11MC7-P08MFDO-..50	grün / green
	S11MC7-P08MFDO-..60	blau / blue
	S11MC7-P08MFDO-..70	grau / grey
	S11MC7-P08MFDO-..80	schwarz / black
	Artikelnummer Partnumber	Farbe Spannmutter Colour Backnut

S11MC7-P08MFDO-39..	min. 2.7	max. 3.9
S11MC7-P08MFDO-52..	min. 4.0	max. 5.2
S11MC7-P08MFDO-65..	min. 5.3	max. 6.5
Artikelnummer Partnumber	KabelØ CableØ	

Maße ohne Toleranzangabe nach DIN ISO 2768		Rahteil: hierzu Stückliste		Rohgew.:	PE-Modell-Nr.: 00020711
2004	Tag	Name	Benennung:	CAD-Nr.: 00025360	Bl.: 5:1
Bearb.	29.01.	C.Fischer	Stecker cpl.	Zeichnungs Nr.: S11MC7-P08MFDO-....	Vervielf. Pause
Gepr.					
Norm.			Ersatz für:		Nr.
And-zust.	Aend.-Mitt.	Datum	Name	 otto dunkel gmbh	
		17.03.08	Neuberger		

X-ON Electronics

Largest Supplier of Electrical and Electronic Components

Click to view similar products for [Circular Push Pull Connectors](#) category:

Click to view products by [ODU manufacturer](#):

Other Similar products are found below :

[6407-249V-11273P](#) [6408-201V-13273](#) [6408-202V-13343](#) [6408-202V-17343](#) [D38999/20ZJ29PA-LC](#) [D38999/20ZJ43HA](#) [D38999/20ZJ43PA-LC](#) [FAG.2B.319.CYC](#) [FGA.1B.307.CYCD72Z](#) [FGC.0B.309.CLAD56](#) [FLS.01.250.DLAE24](#) [PFG.1B.308.CYZZ](#) [PKG.M0.6BL.LZ](#) [PLC.M1.0SL.LA](#) [GMA.2B.045.DJ](#) [GMA.3B.090.DA](#) [PRG.M0.6GL.LC52GZ](#) [ABF.1S.250.NTA](#) [1332M107MS](#) [EAJ.1B.306.CWA](#) [1589430-2](#) [ELF.00.250.NTL](#) [ERA.01.250.DLL](#) [BRD.0B.200.PCSG](#) [HVP.03.250.CLLPV](#) [CAH.M34.SLL.C72GZ](#) [CAJ.M34.SLL.C72GZ](#) [300500](#) [EXG.0B.309.HLN](#) [FFB.1S.250.CLAC27](#) [FLC.00.250.CTAC31](#) [FPG.0B.305.CLAD52](#) [PCS.01.250.DLLE31](#) [PKC.M0.7GL.NG](#) [PKG.M0.4TL.LZ](#) [PXG.M0.8GG.NG](#) [HEG.1B.307.CLNP](#) [BRR.3S.200.PZVG](#) [JDXEP2T19FSN](#) [400374](#) [DTA.99.700.5Z](#) [ECG.00.304.CLL](#) [ECP.0S.304.CLN](#) [EEG.1B.306.CYZ](#) [MS3117-12BU](#) [EGA.00.303.CLL](#) [SAN.M13.GLA.6G](#) [6408-201V-11343](#) [6408-202V-25273](#) [PAC.M0.4NL.AC52J](#)