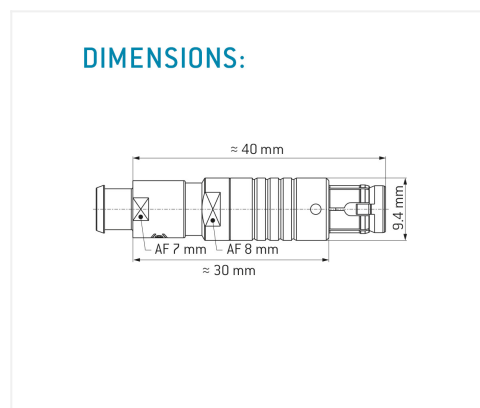
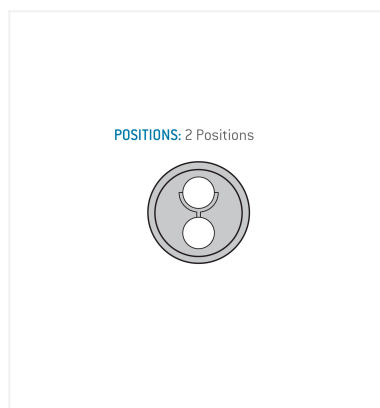
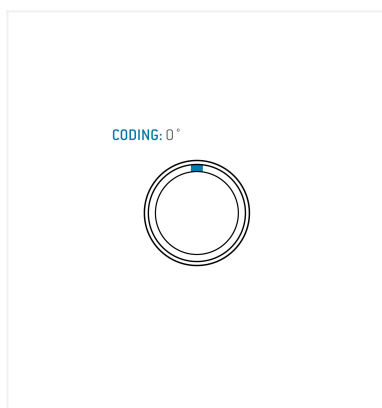


S40B0C-P02LJG0-450S
series_b, type_s4



General information

Part number	S40B0C-P02LJG0-450S
Termination	solder
Size	0
Locking principle	push
Keying	0_key
Cable Diameter	cable_mini_45
Cable outlet	bend_relief



Contact insert description

Number of contacts	2
Contact type	sockets
Contact diameter	09mm
Insulator material	peek
Wire cross section	22_awg
Termination	solder
Termination diameter	085mm

reverse_gender_on_request

Technical information

Max. creepage and air clearance distance	10_mm	10_mm
Nominal current single contact	075_a	iec_60512_5_2
Nominal current insert	7,5 A	vde_0298_4
Test voltage	15_kv_ac	sae_13441

safety_text

Mechanical and environmental data

Degree of protection*	ip68
Operating temperature	40_120_c
Mating cycles	5000

mated

Material and surface treatments

Housing	m_chrome
Contact	cu_alloy_gold

safety_text_2
ul_text
illustrative_text

X-ON Electronics

Largest Supplier of Electrical and Electronic Components

Click to view similar products for [Circular Push Pull Connectors](#) category:

Click to view products by [ODU manufacturer](#):

Other Similar products are found below :

[6407-249V-11273P](#) [6408-201V-13273](#) [6408-202V-13343](#) [6408-202V-17343](#) [FAG.2B.319.CYC](#) [FLS.01.250.DLAE24](#) [PLC.M1.0SL.LA](#)
[GMA.2B.045.DJ](#) [PRG.M0.6GL.LC52GZ](#) [ABF.1S.250.NTA](#) [1332M107MS](#) [1332M107MZ](#) [1589430-2](#) [ELF.00.250.NTL](#) [ERA.01.250.DLL](#)
[HVP.03.250.CLLPV](#) [CAJ.M34.SLL.C72GZ](#) [300500](#) [EXG.0B.309.HLN](#) [FFB.1S.250.CLAC27](#) [FGJ.2B.307.CLLD99](#) [FLC.00.250.CTAC31](#)
[FPG.0B.305.CLAD52](#) [PCS.01.250.DLLE31](#) [PKC.M0.7GL.NG](#) [PKG.M0.4TL.LZ](#) [PXG.M0.8GG.NG](#) [HEG.1B.307.CLNP](#) [BRR.3S.200.PZVG](#)
[DTA.99.700.5Z](#) [ECG.00.304.CLL](#) [ECP.0S.304.CLN](#) [MS3117-12BU](#) [EGA.00.303.CLL](#) [6408-202V-25273](#) [PAC.M0.4NL.AC52J](#) [980-0009-](#)
[471](#) [NCG044SC2DC006](#) [FPG.2B.306.CLAD72](#) [GMA.4B.013.DN](#) [320014](#) [PLA.M0.2TL.LN](#) [1332P319MZ](#) [300322](#) [FGA.4B.306.CLAM62Z](#)
[1331E103MZ](#) [301074](#) [1332EV212FZ](#) [PHG.3B.306.CYPD72Z](#) [FPG.00.304.CLAD35Z](#)