



# COMPASS™ CX SERIES

Portable Scales



## *Energy-Efficient Portable Scale Suitable for Workplace and in-the-Field Weighing*

Designed with energy efficiency in mind, the Compass CX series offers a battery life of up to **1,000 continuous hours**, allowing for uninterrupted operation. Featuring a slim, stackable and light-weight design, the CX fits ideally in lab, industrial, education, and even household settings. The streamlined two-button operation means that the balance can be operated easily, and large backlit LCD display enables easy viewing of weighing results.

### *Standard Features:*

- Alkaline batteries provide up to **1,000 hours of continuous use**, making for energy efficient weighing in the workplace, classroom, etc.
- Large backlit display increases readability in low-light conditions and makes it easier to view results from a distance.
- Slim, space-saving design allows for stackable storage for up to four scales.

# COMPASS™ CX SERIES Portable Scales

Model	CX221	CX621	CX1201	CX2200	CX5200
Capacity (g)	220	620	1200	2200	5200
Readability (g)	0.1			1	
Span Calibration Mass (Not Included)	200 g	500 g	1 kg		2 kg
Stabilization Time(s)	1.5		2	1.5	
Construction	ABS housing and stainless steel pan				
Calibration	User-selectable external span / Digital with external weight				
Tare Range	Full capacity by subtraction				
Weighing Units*	g, N, oz, lb:oz				
Application Modes	Weighing				
Power Requirement	3 AA batteries (included) or AC adapter (not included)				
Typical Battery Life	1,000 hours				
Display Type	Liquid crystal display (LCD) with backlight				
Display Size	18 mm				
Pan Size (W × D)	128 × 142 mm				
Balance Dimensions (W × D × H)	135 × 201 × 41 mm				
Shipping Dimensions (W × D × H)	170 × 235 × 55 mm				
Net Weight	0.5 kg				
Shipping Weight	0.7 kg				

\*Availability is dependent on model.

## Other Standard Features and Equipment

ABS housing, slip-resistant feet, stability indicator, mechanical and software overload/underload protection, low battery indicator, auto shut-off

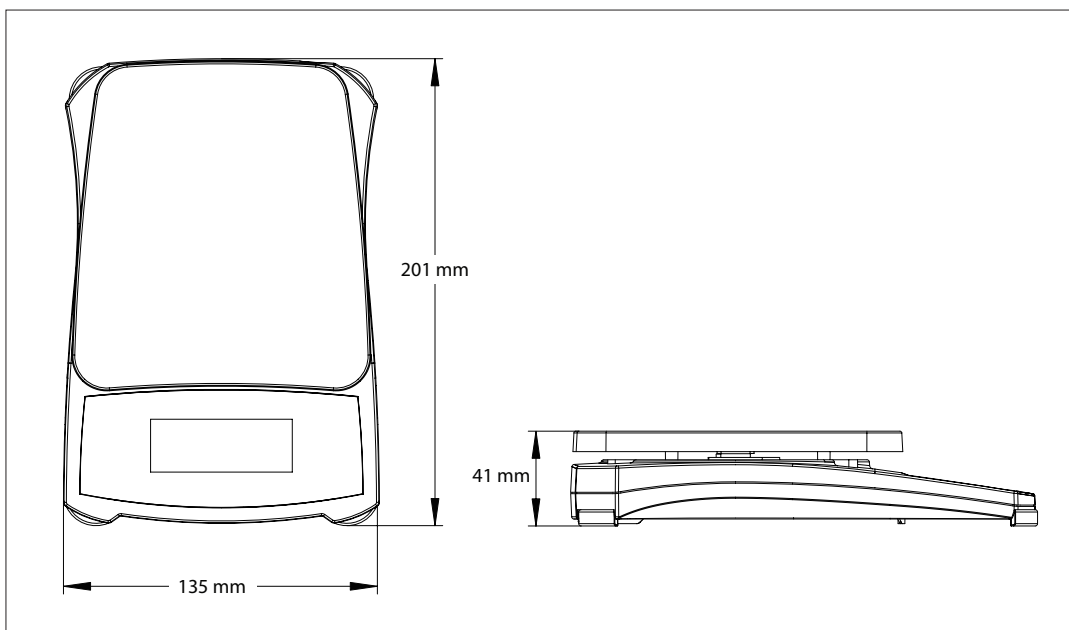
## Compliance

- **Product Safety:** IEC/EN 61010-1
- **Electromagnetic Compatibility:** IEC/EN 61326-1 Class B, Basic environments; FCC Part 15 Class B; Canada ICES-003 Class B
- **Compliance Marks:** CE; RCM

## Accessories

Carrying Case.....	30467763
Bowl, 1050 mL.....	80850075
Adapter, 5V 1A EU, fixed plug.....	30333866
Adapter, 5V 1A UK, fixed plug.....	30333867

## Dimensions



### OHAUS Europe GmbH

Heuwinkelstrasse  
8606 Naenikon  
Switzerland

e-mail: [ssc@ohaus.com](mailto:ssc@ohaus.com)  
Tel: 0041 22 567 53 19  
e-mail: [tsc@ohaus.com](mailto:tsc@ohaus.com)  
Tel: 0041 22 567 53 20

[www.ohaus.com](http://www.ohaus.com)

*The management system governing the manufacture of this product is ISO 9001:2015 certified.*

Europe Literature #



## **X-ON Electronics**

Largest Supplier of Electrical and Electronic Components

*Click to view similar products for [Ohaus](#) manufacturer:*

Other Similar products are found below :

[DISCRETE I/O KIT](#) [D22M300BXZ-M](#) [83032109](#) [SD200L](#) [83032108](#) [30037449](#) [11117004](#) [87000009](#) [NVT6201](#) [NVT6400M](#) [CR2200](#)  
[CR221](#) [CR621](#) [CX2200](#) [SD SD75L](#) [30037447](#) [83032107](#) [CX221](#) [CX621](#) [NV1201](#) [30037448](#) [NVT12000](#) [CR5200](#) [NVT6200](#)