



Low-Profile Scales Ideal for General Shipping and Animal Weighing Applications

The Courier 5000 Series shipping scales feature a sturdy low-profile design with stainless steel top, making them tough enough for shipping applications, and easy to clean for small veterinary applications. Data is clearly legible on a large, bright 28 mm display, and UPS system communication protocol is included. Our proprietary Weight Alert™ mode will warn users if packages are too heavy, for example, to be sent by post or truck.

Unique Features:

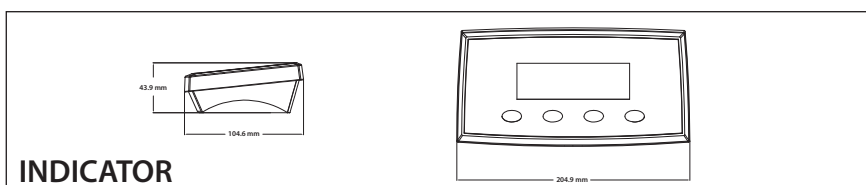
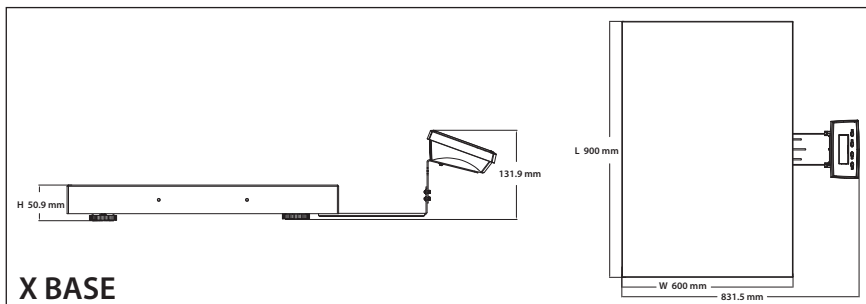
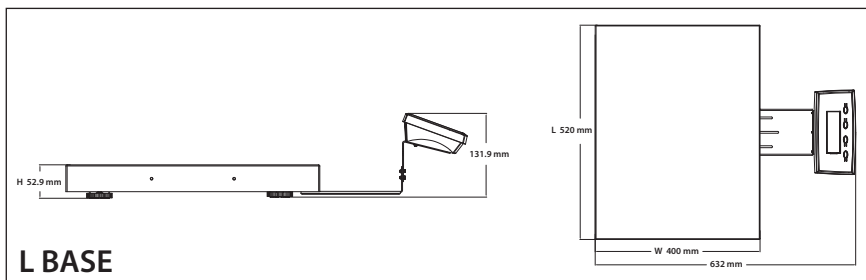
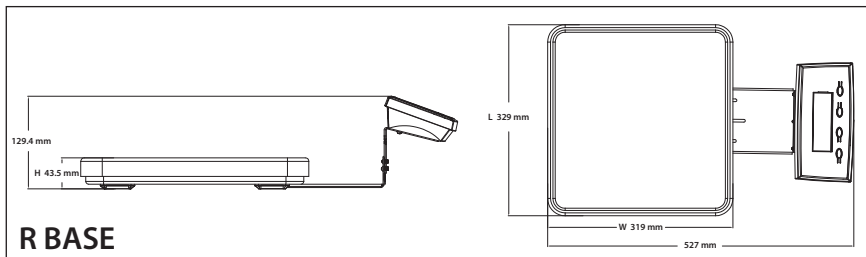
- Easy-to-use scales for general shipping use with painted steel base. Stainless steel pan holds up to daily use and is easy to keep sanitary. Adjustable display for mounting to adapt to your workspace.
- The Dynamic Weighing/Display Hold application is ideal for large boxes and packages as it retains weight data on the display - also ideal for animals in veterinary use.
- AC adapter power included. Simple USB type C for data and power connection – includes UPS software protocol string. Can also run using disposable battery power.

COURIER™ 5000 Shipping Scales

Specifications

| Model | i-C52M6R | i-C52M30R | i-C52M50R | i-C52M50L | i-C52M100L | i-C52M200L | i-C52M200X |
|---------------------------------|--|------------------------------------|------------------------------------|---------------------|------------------|---------------------|------------|
| Capacity x Default Readability | 6 kg x 0.002 kg 6 000 g x 2 g | 30 kg x 0.01 kg 30 000 g x 10 g | 50 kg x 0.02 kg 50 000 g x 20 g | | 100 kg x 0.05 kg | 200 kg x 0.1 kg | |
| Maximum Displayed Resolution | 1:3 000 | | 1:2 500 | | 1:2 000 | | |
| Weighing Units | kg, g, lb, oz, lb:oz (kg, lb, oz, lb:oz for models above 100 kg) | | | | | | |
| Application Mode | Weighing, Dynamic Weighing/Display Hold, Totalization, Weight Alert™ | | | | | | |
| Display | 28 mm digit height, 5-digit, 7-segment LCD display with white backlight | | | | | | |
| Keyboard | 4 mechanical function keys | | | | | | |
| Construction | ABS Plastic Indicator Housing Painted steel base with stainless steel platform (adjustable feet for L and X bases) | | | | | | |
| Cable Length | 2 m (full extension) | | | | | | |
| Stabilization Time | 1 second | | | | | | |
| Power | AC Power adapter: 100-240VAC ~ 0.5A 50/60Hz; Power output: 5.0 VDC 1.0 A (included) or Dry cell battery: 3 x AA (LR6) Batteries (not included) Battery life: 100 hours continuous use with backlight off | | | | | | |
| Zero Range | 2% or 100% of capacity | | | | | | |
| Interface | Standard USB Type-C | | | | | | |
| Operating Temperature Range | -10 °C to 40 °C | | | | | | |
| Safe Overload Capacity | 150% of capacity | | | | | | |
| Platform Dimensions (L x W x H) | 329 x 319 x 43.5 mm | | | 520 x 400 x 52.9 mm | | 900 x 600 x 50.9 mm | |
| Net Weight | 4.1 kg | | | 8.5 kg | | 17.4 kg | |
| Shipping Weight | 4.8 kg | | | 9.5 kg | | 19.2 kg | |
| Shipping Dimensions | 395 x 385 x 155 mm | | | 600 x 485 x 100 mm | | 985 x 680 x 105 mm | |

Outline Dimensions



Compliance

- **Product Safety:** IEC/EN 61010-1; [UL certified power supply](#)
- **Electromagnetic Compatibility:** IEC/EN 61326-1 Class B, basic environments; FCC Part 15 Class A; Canada ICES-003 Class A
- **Compliance Marks:** CE, UKCA
- **Other:** WEEE, RoHS

Accessories

- Remote Column Kit 980 mm Painted Steel. 30795819
- Spiral cable connection base to indicator 9m max i-C51 i-C31
. 30809920
- Remote Column Kit 330 mm Painted Steel. 30800931
- Rubber Mat Kit Antiskid for X base 30548975

OHAUS Europe GmbH

e-mail: ssc@ohaus.com
Tel: 0041 22 567 53 19
e-mail: tsc@ohaus.com
Tel: 0041 22 567 53 20

www.ohaus.com

The management system governing the manufacture of this product is ISO 9001:2015 certified.



X-ON Electronics

Largest Supplier of Electrical and Electronic Components

Click to view similar products for [Input Devices](#) category:

Click to view products by [Ohaus](#) manufacturer:

Other Similar products are found below :

[80260-00](#) [81485-28](#) [81521-08](#) [89758-05](#) [89886-26](#) [89941-00](#) [80262-00](#) [81601-26](#) [UL21KMZQ](#) [G8011900LPMUS0](#) [81485-26](#) [84105-13](#)
[FTRB4GA45ZB05](#) [DT2257X20V00GRY](#) [84Z2029-78](#) [84Z2029-79](#) [84Z2029-80](#) [LP1007EXXH00R](#) [100133BX](#) [EZ08-230013](#) [81248-04](#)
[HB110C3NWBNA](#) [89311-26](#) [HG2621](#) [3K020-4RN3AG](#) [3K020-4RC3AG](#) [3K206-2RC3AG](#) [3K015-3RN3AG](#) [I-C52M50R](#) [S0928980](#) [I-](#)
[C52M100L](#) [S0929000](#) [80500552](#) [I-C52M200L](#) [S0929010](#) [I-C71M60L](#) [I-C52M6R](#) [I-C31M200L](#) [I-C12P9](#) [S0928990](#) [I-C71M15R](#) [I-](#)
[C31M75R](#) [I-C71M60R](#) [S0929020](#) [I-C12P20](#) [I-C31M200R](#) [I-C31M35R-EU](#) [TMR-304](#) [STABILNY](#) [KS01-AV-BK](#) [KS01-AV-R](#)