



NAVIGATOR™ *Portable Balances*



Multi-Purpose Portable Balances Suitable for Everyday Weighing

OHAUS raises the bar in price-performance ratio with the newly-designed Navigator series which is perfect for general weighing applications in laboratory, industrial and education settings. Ruggedly constructed and multifunctional, the Navigator is a powerful balance that can handle a diverse range of weighing applications with features such as fast stabilization time, overload protection at four times its rated capacity, and easy operation.

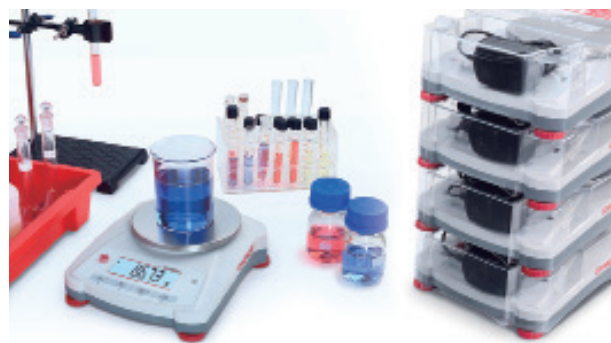
Standard Features:

- Navigator offers essential weighing applications at a competitive price point.
- Advanced weighing technology offers one-second stabilization for fast and accurate weighing results, improving operator efficiency, productivity and throughput.
- Overload protection system that can withstand loads up to four times the rated capacity safeguards the balance.

NAVIGATOR™ Applications

Education

With an overload protection system which is rated at four times its capacity, the Navigator is ideal for demanding applications in the classroom such as parts counting, percent weighing, and checkweighing. The space-saving design (for NV models only) allows for stackable storage. Additionally, the Navigator's portability makes it ideal for experiments out in the field.



Laboratory and Research

Designed to be easy to clean, precise and simple to use in laboratory environments. Simple set up and percent weighing mode make this the ideal solution for laboratory applications such as formulation, quality inspections, testing and experimentation.



Industry and Manufacturing

Designed to be robust, fast and accurate for ideal use in light medium duty industrial applications, including paint and ink mixing, packaging, sampling and parts counting. Up to 400% safe overload enhances protection of internal components, with an ultra-fast, one-second stabilization time to improve operator efficiency and productivity.



Home Office, Commercial Business and Manufacturing

Designed to be tough, portable and reliable for ideal use in shipping and receiving, home office and warehouse environments. Battery operation, counting and checkweighing modes also expand range of use for hobbies, inventory management, inspection and quality control. In addition, the Navigator NVT models are available EC Type approved (Class III) for commercial business or any applications requiring approval.



Food and Portioning

Designed to be hygienic, low-maintenance and durable for ideal use in food service, portioning and pre-packaging. Weighing units such as kg, g, lb, oz, lb:oz, and percent and checkweighing modes enhance its usefulness in behind-the-counter, prep station and kitchen environments.

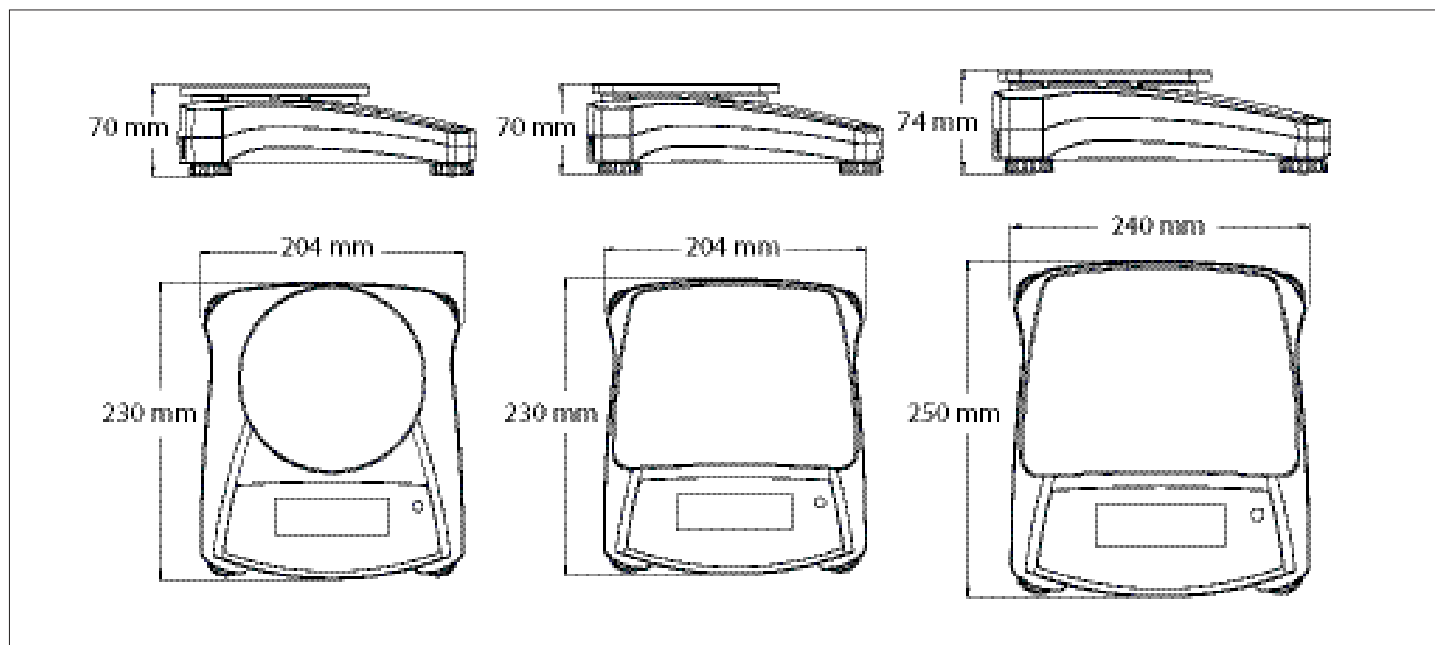


NAVIGATOR™ *Portable Balances*

Model	NV222	NV422	NV622	NV221	NV621	NV1201	NV2201	NVT2201	NVT4201	NVT6201	NVT2200	NVT6200	NVT12000	NVT22000	
Capacity (g)	220	420	620	220	620	1200	2200	2200	4200	6200	2200	6200	12000	22000	
Readability (g)	0.01			0.1						1					
Span Calibration Mass*	200 g		300 g	200 g	300 g	500 g	1000 g		2000 g	5000 g	1000 g	5000 g		10000 g	
Linearity Calibration Mass*	100, 200 g	200, 400 g	300, 600 g	100, 200 g	300, 600 g	500 g, 1 kg	1 kg, 2 kg	1 kg, 2 kg	2 kg, 4 kg	3 kg, 6 kg	1 kg, 2 kg	3 kg, 6 kg	5 kg, 10 kg	10 kg, 20 kg	
Stabilization Time (s)	1	1.5		1				1.5		1					
Construction	ABS housing and stainless steel pan														
Calibration	User-selectable external span or linearity calibration / Digital with external weight														
Tare Range	Full capacity by subtraction														
Weighing Units	g, kg, N, oz, ozt, dwt, lb, lb:oz, ct, grain														
Application Modes	Weighing, Parts Counting, Percent Weighing, Checkweighing														
Power Requirement	AC adapter (included) or 4 C batteries (not included)														
Typical Battery Life	270 hours														
Temperature Range	10 °C to 40 °C at 10% to 85% relative humidity, non-condensing														
Storage Conditions	-20 °C to 55 °C at 10% to 90% relative humidity, non-condensing														
Communication	RS232, USB, or Ethernet (available as accessories)														
Display Type	Liquid Crystal Display (LCD) with backlight														
Display Size	20 mm digits														
Pan Size (W × D)	Ø 145 mm			190 × 144 mm				230 × 174 mm							
Balance Dimensions (W × D × H)	204 × 230 × 70 mm						240 × 250 × 74 mm								
Shipping Dimensions (W × D × H)	300 × 250 × 134 mm						385 × 335 × 170 mm								
Net Weight	1 kg						1.5 kg								
Shipping Weight	1.5 kg						2.3 kg								

*Calibration Mass not included

Dimensions



NAVIGATOR™ Portable Balances

Model	NVT1601M	NVT3200M	NVT6400M	NVT16000M
Capacity (g)	1600	3200	6400	16000
Readability (g)	0.5	1	2	5
Verification Interval e (g)	0.5	1	2	5
Span Calibration Mass*	1 kg	2 kg	5 kg	10 kg
Linearity Calibration Mass*	1 kg; 1,5 kg	2 kg; 3 kg	3 kg; 6 kg	10 kg; 15 kg
Stabilization Time (s)	1 s			
Construction	ABS housing & stainless steel pan			
Calibration	User-selectable external span or linearity calibration/Digital with external weight			
Tare Range	Full capacity by subtraction			
Weighing Units	Gram, Kilogram			
Application Modes	Weighing, Percent Weighing, Parts Counting, Check Weighing			
Keypad	4 mechanical keys, plus 1 touchless sensor			
Power Requirement	AC adapter (included) or 4 C batteries (not included)			
Typical Battery Life	270 hours			
Specified Temperature Range	0 °C (32 °F) to 40 °C (104 °F) at 10% to 85% relative humidity, non-condensing			
Storage Conditions	-20 °C (-4 °F) to 55 °C (131 °F) at 10% to 90% relative humidity, non-condensing			
Communication	RS232, USB, or Ethernet (available as accessories)			
Display Type	Liquid Crystal Display (LCD) with backlight			
Display Size	20 mm digits			
Pan Size (W × D)	230 × 174 mm			
Balance Dimensions (W × D × H)	240 × 250 × 74 mm			
Shipping Dimensions (W × D × H)	385 × 335 × 170 mm			
Net Weight	1,5 kg			
Shipping Weight	2,3 kg			

*Calibration Mass not included

Other Standard Features and Equipment

ABS housing, stainless steel pan, transportation lock, menu and calibration lockswitch, slip-resistant and adjustable feet, leveling bubble, mechanical and software overload/underload protection, stability indicator, low battery indicator, auto shut-off, user-selectable print options, user-selectable communication settings

Compliance

- **Metrology:** EN 45501 Class III (NVT...M models only)
- **Product Safety:** IEC/EN 61010-1
- **Electromagnetic Compatibility:** IEC/EN 61326-1 Class B, Basic environments; FCC Part 15 Class B; Canada ICES-003 Class B
- **Compliance Mark:** CE

Accessories

USB Interface.....	.83032108
RS232 Interface83032107
Ethernet Interface83032109
Rechargeable Battery Kit83032106
Carrying Case30467963
Adapter with plugs30467987
Adapter, 12V 0.5A, fixed UK plug30467994
Stacking Kit, ×1, NV30467917
Stacking Kit, ×4, NV30467918
Printer, SF40A, EU30064202

OHAUS Europe GmbH

Im Langacher 44
8606 Greifensee
Switzerland

e-mail: ssc@ohaus.com
Tel: 0041 22 567 53 19
e-mail: tsc@ohaus.com
Tel: 0041 22 567 53 20

www.ohaus.com

*The management system
governing the manufacture
of this product is
ISO 9001:2015 certified.*

Europe Literature #



X-ON Electronics

Largest Supplier of Electrical and Electronic Components

Click to view similar products for [Ohaus](#) manufacturer:

Other Similar products are found below :

[11117004](#) [30037447](#) [30037448](#) [30037449](#) [83032107](#) [83032108](#) [83032109](#) [87000009](#) [CR2200](#) [CR221](#) [CR5200](#) [CR621](#) [CX2200](#) [CX221](#)
[CX621](#) [D22M300BXZ-M](#) [DISCRETE I/O KIT](#) [NV1201](#) [NVT12000](#) [NVT6200](#) [NVT6201](#) [NVT6400M](#) [SD200L](#) [SD](#) [SD75L](#)