



NAVIGATOR™ *Portable Balances*



Multi-Purpose Portable Balances Suitable for Everyday Weighing

OHAUS raises the bar in price-performance ratio with the newly-designed Navigator series which is perfect for general weighing applications in laboratory, industrial and education settings. Ruggedly constructed and multifunctional, the Navigator is a powerful balance that can handle a diverse range of weighing applications with features such as fast stabilization time, overload protection at four times its rated capacity, and easy operation.

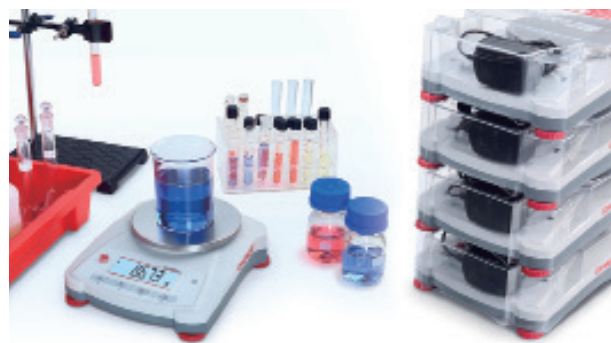
Standard Features:

- Navigator offers essential weighing applications at a competitive price point.
- Advanced weighing technology offers one-second stabilization for fast and accurate weighing results, improving operator efficiency, productivity and throughput.
- Overload protection system that can withstand loads up to four times the rated capacity safeguards the balance.

NAVIGATOR™ Applications

Education

With an overload protection system which is rated at four times its capacity, the Navigator is ideal for demanding applications in the classroom such as parts counting, percent weighing, and checkweighing. The space-saving design (for NV models only) allows for stackable storage. Additionally, the Navigator's portability makes it ideal for experiments out in the field.



Laboratory and Research

Designed to be easy to clean, precise and simple to use in laboratory environments. Simple set up and percent weighing mode make this the ideal solution for laboratory applications such as formulation, quality inspections, testing and experimentation.



Industry and Manufacturing

Designed to be robust, fast and accurate for ideal use in light medium duty industrial applications, including paint and ink mixing, packaging, sampling and parts counting. Up to 400% safe overload enhances protection of internal components, with an ultra-fast, one-second stabilization time to improve operator efficiency and productivity.



Home Office, Commercial Business and Manufacturing

Designed to be tough, portable and reliable for ideal use in shipping and receiving, home office and warehouse environments. Battery operation, counting and checkweighing modes also expand range of use for hobbies, inventory management, inspection and quality control. In addition, the Navigator NVT models are available EC Type approved (Class III) for commercial business or any applications requiring approval.



Food and Portioning

Designed to be hygienic, low-maintenance and durable for ideal use in food service, portioning and pre-packaging. Weighing units such as kg, g, lb, oz, lb:oz, and percent and checkweighing modes enhance its usefulness in behind-the-counter, prep station and kitchen environments.

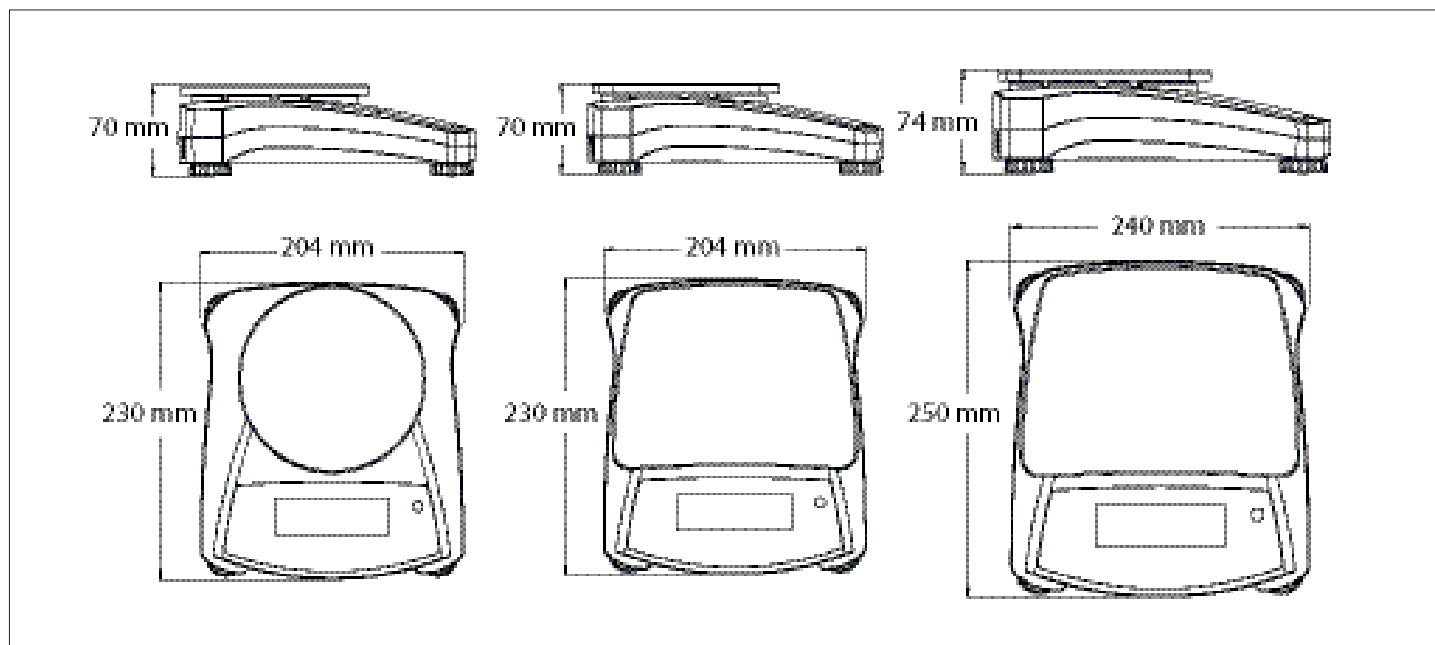


NAVIGATOR™ Portable Balances

| Model | NV222 | NV422 | NV622 | NV221 | NV621 | NV1201 | NV2201 | NVT2201 | NVT4201 | NVT6201 | NVT2200 | NVT6200 | NVT12000 | NVT22000 | |
|---------------------------------|---|------------|------------|--------------|------------|-------------|--------------------|--------------|------------|------------|------------|------------|-------------|--------------|--|
| Capacity (g) | 220 | 420 | 620 | 220 | 620 | 1200 | 2200 | 2200 | 4200 | 6200 | 2200 | 6200 | 12000 | 22000 | |
| Readability (g) | 0.01 | | | 0.1 | | | | | | 1 | | | | | |
| Span Calibration Mass* | 200 g | | 300 g | 200 g | 300 g | 500 g | 1000 g | | 2000 g | 5000 g | 1000 g | 5000 g | | 10000 g | |
| Linearity Calibration Mass* | 100, 200 g | 200, 400 g | 300, 600 g | 100, 200 g | 300, 600 g | 500 g, 1 kg | 1 kg, 2 kg | 1 kg, 2 kg | 2 kg, 4 kg | 3 kg, 6 kg | 1 kg, 2 kg | 3 kg, 6 kg | 5 kg, 10 kg | 10 kg, 20 kg | |
| Stabilization Time (s) | 1 | 1.5 | | 1 | | | | 1.5 | | 1 | | | | | |
| Construction | ABS housing and stainless steel pan | | | | | | | | | | | | | | |
| Calibration | User-selectable external span or linearity calibration / Digital with external weight | | | | | | | | | | | | | | |
| Tare Range | Full capacity by subtraction | | | | | | | | | | | | | | |
| Weighing Units | g, kg, N, oz, ozt, dwt, lb, lb:oz, ct, grain | | | | | | | | | | | | | | |
| Application Modes | Weighing, Parts Counting, Percent Weighing, Checkweighing | | | | | | | | | | | | | | |
| Power Requirement | AC adapter (included) or 4 C batteries (not included) | | | | | | | | | | | | | | |
| Typical Battery Life | 270 hours | | | | | | | | | | | | | | |
| Temperature Range | 10 °C to 40 °C at 10% to 85% relative humidity, non-condensing | | | | | | | | | | | | | | |
| Storage Conditions | -20 °C to 55 °C at 10% to 90% relative humidity, non-condensing | | | | | | | | | | | | | | |
| Communication | RS232, USB, or Ethernet (available as accessories) | | | | | | | | | | | | | | |
| Display Type | Liquid Crystal Display (LCD) with backlight | | | | | | | | | | | | | | |
| Display Size | 20 mm digits | | | | | | | | | | | | | | |
| Pan Size (W × D) | Ø 145 mm | | | 190 × 144 mm | | | | 230 × 174 mm | | | | | | | |
| Balance Dimensions (W × D × H) | 204 × 230 × 70 mm | | | | | | 240 × 250 × 74 mm | | | | | | | | |
| Shipping Dimensions (W × D × H) | 300 × 250 × 134 mm | | | | | | 385 × 335 × 170 mm | | | | | | | | |
| Net Weight | 1 kg | | | | | | 1.5 kg | | | | | | | | |
| Shipping Weight | 1.5 kg | | | | | | 2.3 kg | | | | | | | | |

*Calibration Mass not included

Dimensions



NAVIGATOR™ Portable Balances

| Model | NVT1601M | NVT3200M | NVT6400M | NVT16000M |
|---------------------------------|---|------------|------------|--------------|
| Capacity (g) | 1600 | 3200 | 6400 | 16000 |
| Readability (g) | 0.5 | 1 | 2 | 5 |
| Verification Interval e (g) | 0.5 | 1 | 2 | 5 |
| Span Calibration Mass* | 1 kg | 2 kg | 5 kg | 10 kg |
| Linearity Calibration Mass* | 1 kg; 1,5 kg | 2 kg; 3 kg | 3 kg; 6 kg | 10 kg; 15 kg |
| Stabilization Time (s) | 1 s | | | |
| Construction | ABS housing & stainless steel pan | | | |
| Calibration | User-selectable external span or linearity calibration/Digital with external weight | | | |
| Tare Range | Full capacity by subtraction | | | |
| Weighing Units | Gram, Kilogram | | | |
| Application Modes | Weighing, Percent Weighing, Parts Counting, Check Weighing | | | |
| Keypad | 4 mechanical keys, plus 1 touchless sensor | | | |
| Power Requirement | AC adapter (included) or 4 C batteries (not included) | | | |
| Typical Battery Life | 270 hours | | | |
| Specified Temperature Range | 0 °C (32 °F) to 40 °C (104 °F) at 10% to 85% relative humidity, non-condensing | | | |
| Storage Conditions | -20 °C (-4 °F) to 55 °C (131 °F) at 10% to 90% relative humidity, non-condensing | | | |
| Communication | RS232, USB, or Ethernet (available as accessories) | | | |
| Display Type | Liquid Crystal Display (LCD) with backlight | | | |
| Display Size | 20 mm digits | | | |
| Pan Size (W × D) | 230 × 174 mm | | | |
| Balance Dimensions (W × D × H) | 240 × 250 × 74 mm | | | |
| Shipping Dimensions (W × D × H) | 385 × 335 × 170 mm | | | |
| Net Weight | 1,5 kg | | | |
| Shipping Weight | 2,3 kg | | | |

*Calibration Mass not included

Other Standard Features and Equipment

ABS housing, stainless steel pan, transportation lock, menu and calibration lockswitch, slip-resistant and adjustable feet, leveling bubble, mechanical and software overload/underload protection, stability indicator, low battery indicator, auto shut-off, user-selectable print options, user-selectable communication settings

Compliance

- **Metrology:** EN 45501 Class III (NVT...M models only)
- **Product Safety:** IEC/EN 61010-1
- **Electromagnetic Compatibility:** IEC/EN 61326-1 Class B, Basic environments; FCC Part 15 Class B; Canada ICES-003 Class B
- **Compliance Mark:** CE

Accessories

| | |
|--|-----------|
| USB Interface..... | .83032108 |
| RS232 Interface | .83032107 |
| Ethernet Interface | .83032109 |
| Rechargeable Battery Kit | .83032106 |
| Carrying Case | .30467963 |
| Adapter with plugs | .30467987 |
| Adapter, 12V 0.5A, fixed UK plug | .30467994 |
| Stacking Kit, ×1, NV | .30467917 |
| Stacking Kit, ×4, NV | .30467918 |
| Printer, SF40A, EU | .30064202 |

OHAUS Europe GmbH

Im Langacher 44
8606 Greifensee
Switzerland

e-mail: ssc@ohaus.com
Tel: 0041 22 567 53 19
e-mail: tsc@ohaus.com
Tel: 0041 22 567 53 20

www.ohaus.com

*The management system
governing the manufacture
of this product is
ISO 9001:2015 certified.*

Europe Literature #



X-ON Electronics

Largest Supplier of Electrical and Electronic Components

Click to view similar products for [Ohaus](#) manufacturer:

Other Similar products are found below :

[DISCRETE I/O KIT](#) [D22M300BXZ-M](#) [83032109](#) [SD200L](#) [83032108](#) [30037449](#) [11117004](#) [87000009](#) [NVT6201](#) [NVT6400M](#) [CR2200](#)
[CR221](#) [CR621](#) [CX2200](#) [CX5200](#) [NVT4201](#) [SD SD75L](#) [30037447](#) [83032107](#) [CX221](#) [CX621](#) [NV1201](#) [30037448](#) [NVT12000](#) [CR5200](#)
[NVT6200](#)