

AG Series

Single Phase EMI Filters

These series range of General Purpose filters are designed to suppress undesirable electrical disturbances in Power Lines. They limit the amplitude of interfering voltages on AC power lines and prevent them from propagating into or out of the filtered equipment.



FEATURES

- Rated Current up to 100A
- Medical Version available
- High Conducted attenuation performance
- Chassis mounting

APPLICATIONS

- Power Systems
- Electronic Equipment
- Frequency convertors
- Stepper motor drives
- UPS/Inverters

SERIES SPECIFICATIONS

Part No.	Rated current @40°C	Leakage current (mA) @250VAC/50Hz	Termination		Weight (kg)
			Tab	Screw	
AG-001	1A	0.34	6.3 x 0.8		0.06
AG-002	2A	0.34	6.3 x 0.8		0.06
AG-003	3A	0.34	6.3 x 0.8		0.06
AG-006	6A	0.34	6.3 x 0.8		0.06
AG-010	10A	0.34	6.3 x 0.8		0.06
AG-015	15A	0.34	6.3 x 0.8		0.125
AG-016	16A	0.34	6.3 x 0.8		0.125
AG-020	20A	0.34	6.3 x 0.8		0.260
AG-025	25A	0.73		M5	0.6
AG-030	30A	0.73		M5	0.6
AG-035	35A	0.73		M5	0.6
AG-040	40A	0.73		M5	0.6
AG-050	50A	0.73		M6	1
AG-060	60A*	0.73		M6	1
AG-075	75A*	0.73		M8	2
AG-080	80A*	0.73		M8	2
AG-100	100A*	0.73		M10	2

*Not covered under CSA

CHARACTERISTICS

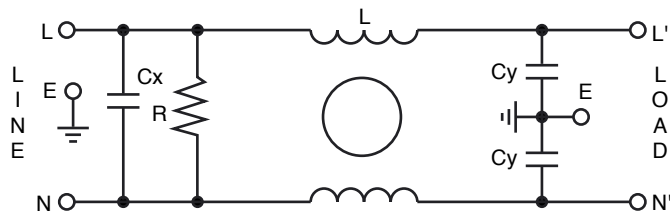
Max. Cont. Oper. Voltage	250VAC
Operating Frequency	50/60Hz
Current ratings	1A to 100A @40°C
High Potential test voltage	L to G 2120Vdc for 1 Minute; L to L 1414Vdc for 1 Minute
Design	Corresponding to UL 60939-3, CSA 22.2 No.8-13 and IEC 60939
Overload Capability	135% of Rated current for 15 minutes
Flammability	corresponding to UL 94 V-0
Temperature range	-25°C to +85°C
Climatic Category	25/85/21
Recommended Torque (Nm)	M5: 1.0-2.0; M6: 1.25 – 2.5; M8: 2.5-5; M10: 3.5-7

(continued)

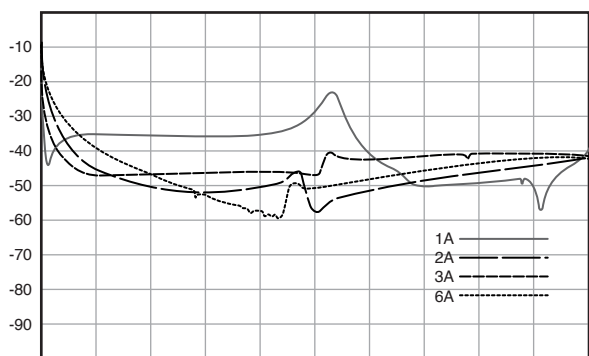
AG Series

Single Phase EMI Filters

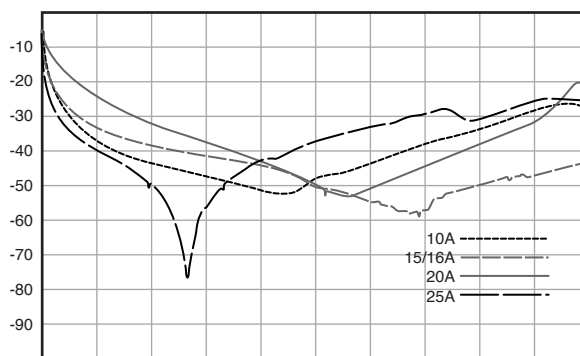
CIRCUIT DIAGRAM



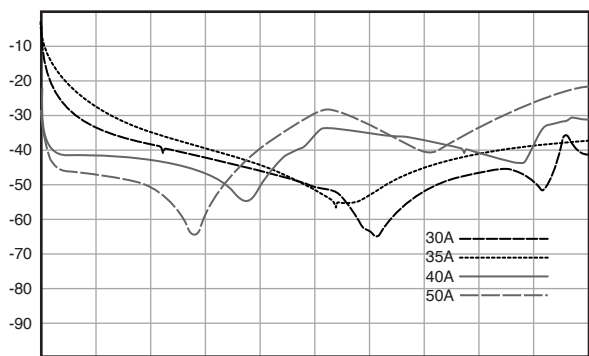
INSERTION LOSS



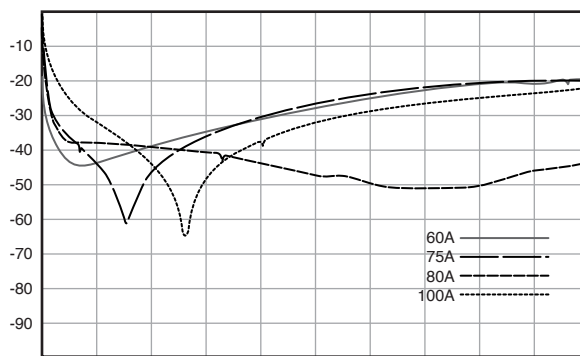
Start 30.00kHz Stop 30.00MHz



Start 30.00kHz Stop 30.00MHz



Start 30.00kHz Stop 30.00MHz



Start 30.00kHz Stop 30.00MHz

(continued)

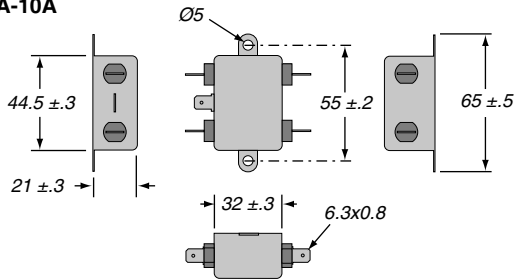
AG Series

Single Phase EMI Filters

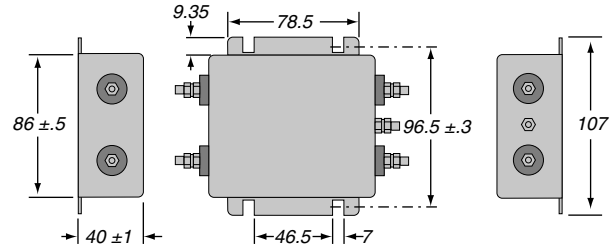
DIMENSIONS

All dimensions in mm; Tolerances according to ISO2768-m

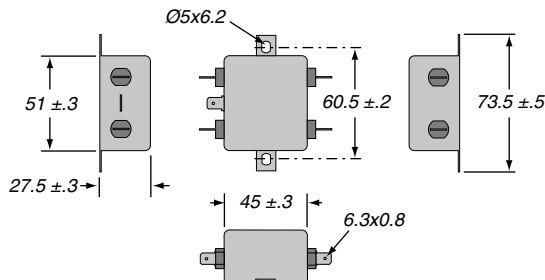
1A-10A



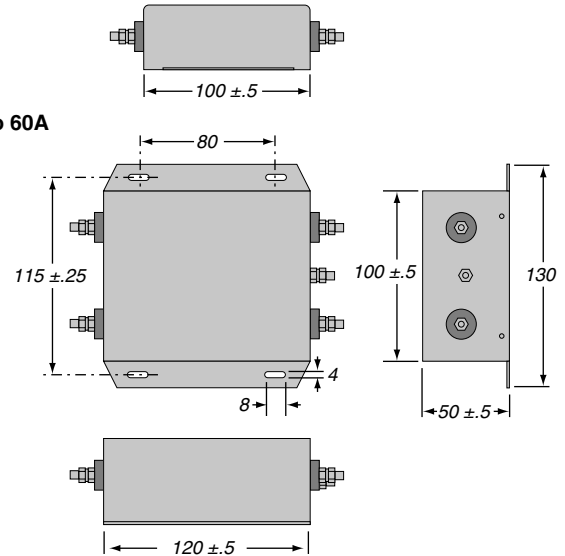
25A to 40A



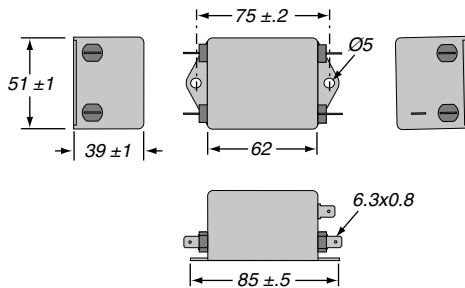
15A & 16A



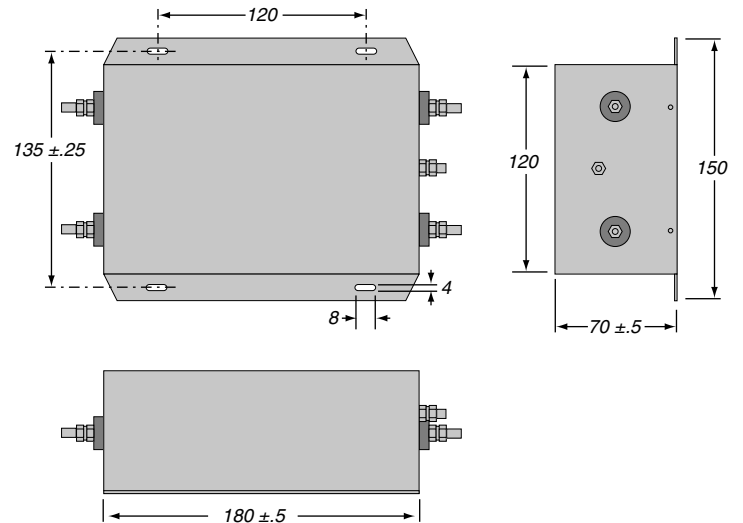
50A to 60A



20A



75A to 100A



ORDERING INFORMATION

AG - 002
Series Current rating

Standard part numbers

AG-001	AG-025
AG-002	AG-030
AG-003	AG-035
AG-006	AG-040
AG-010	AG-050
AG-015	AG-060
AG-016	AG-075
AG-020	AG-080
	AG-100

X-ON Electronics

Largest Supplier of Electrical and Electronic Components

Click to view similar products for [Power Line Filters](#) category:

Click to view products by [Ohmite](#) manufacturer:

Other Similar products are found below :

[5B1](#) [6609019-3](#) [6609026-5](#) [6609030-6](#) [6609063-2](#) [6609973-2](#) [7-1609090-5](#) [F1500CA06](#) [F7382Z](#) [F7863Z](#) [FAHAV3100ZC000](#) [806276](#)
[FMAC-0FIA-6400](#) [FN2020B-1-06](#) [FN2080B-10-06](#) [FN2090A-1-06](#) [FN2410H-32-33](#) [FN2410H-80-34](#) [FN2412H-16-44](#) [FN420-1-13](#) [FP144](#)
[8-6609089-0](#) [12-MMB-030-11-D](#) [B84144A0050R120](#) [B84144A90R120](#) [20B1](#) [RSEL-2001A](#) [2B1](#) [LP183](#) [1-6609070-1](#) [F1500CA10](#) [1B1](#)
[FN2020A-10-06](#) [FN2020B-3-06](#) [FN2060A-3-06](#) [FN2070A-16-06](#) [FN2070B-16-08](#) [FN2090A-20-06](#) [FN2090B-12-06](#) [FN2090Z-1-06](#)
[FN2410H-25-33](#) [FN2410H-60-34](#) [FN2410H-8-44](#) [FN2412H-25-33](#) [FN2412H-8-44](#) [FN610R-3-06](#) [20EHZ7](#) [20K1](#) [30B6](#) [30BCF10R](#)