

# CSM Series

## Board Mount Heat Sink For TO-220 Devices



The economically priced CSM Series is suitable for use with TO-220 devices found in active components as well as power resistors. With surface areas ranging from 1188 Sq. mm to 6645 Sq. mm, the CSM family comes in 5 configurations, all of them with Black Anodized surface treatment. These heatsinks

offer a range of thermal performance from 18.0 to 9.8 C/W. Each device offers solder able mounting feet and anywhere from 1, 2 or 3 mounting holes are available for convenient device attachment.

### SERIES SPECIFICATIONS

Heatsink Part Number	Surface Area (in <sup>2</sup> / mm <sup>2</sup> )	Weight (oz / g)	Length L (mm)	Thermal Res.* (°C/W)
CSM221-12AE	1.84 / 1,188	0.13 / 3.7	12	18.0
CSM221-28AE	4.30 / 2,772	0.3 / 8.5	28	12.8
CSM221-40AE	6.14 / 3,960	0.43 / 12.2	40	12.1
CSM222-30AE	6.25 / 4,029	0.5 / 14.2	30	11.3
CSM223-50AE†	10.30 / 6,645	0.6 / 17.0	50	9.8

\*Free convection at 10 watts dissipation

†Available for custom orders only, not offered as standard length

### CHARACTERISTICS

#### Heat Dissipation

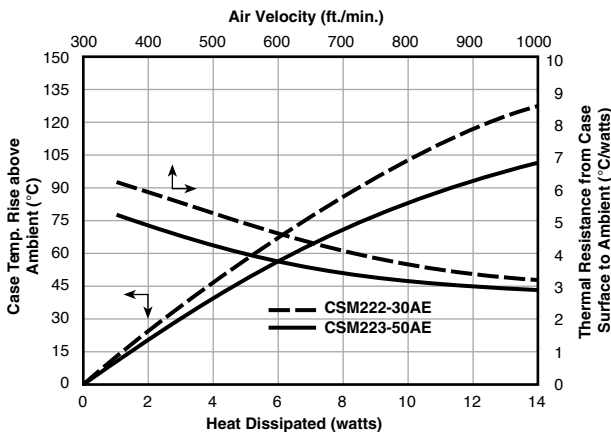
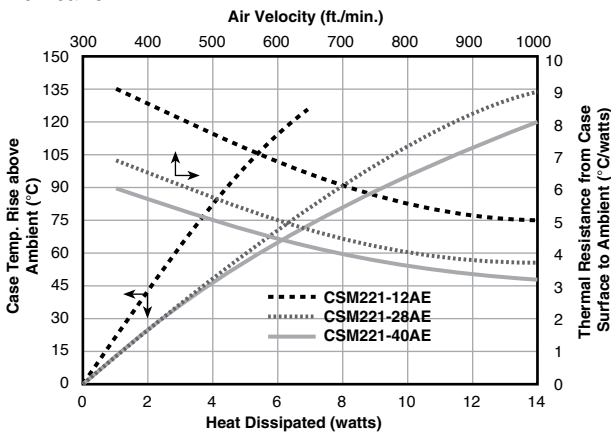
Heat dissipation is the total for ALL DEVICES attached to the heat sink

**Heat Sink** Aluminum Alloy 6063-T5 or Equivalent with either degreased or black anodized finish.

**Solder Foot** Cold-rolled Steel, surface tin plated.

**Interface Thermal Resistance** for improvement, use thermal joint compound, 0.005 Grafoil (TGon 800 by Laird), or phase change material (Hi-Flow by Bergquist)

**Insulator** (Optional) Sil-Pad 900-S, K6 800-S and K10 by Bergquist



(continued)

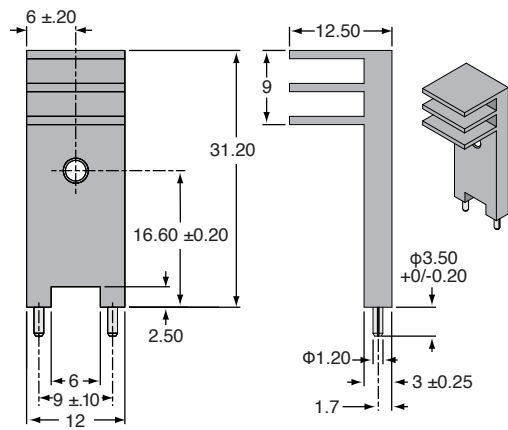
# CSM Series

## Board Mount Heat Sink For TO-220 Devices

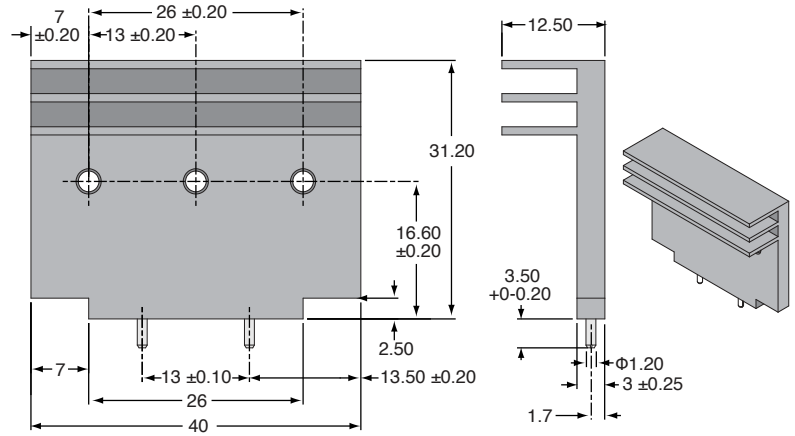
### DIMENSIONS

Dimensions in mm; M3\*0.5P thread Tapping. JIS-2b standard chamfer 0.3m

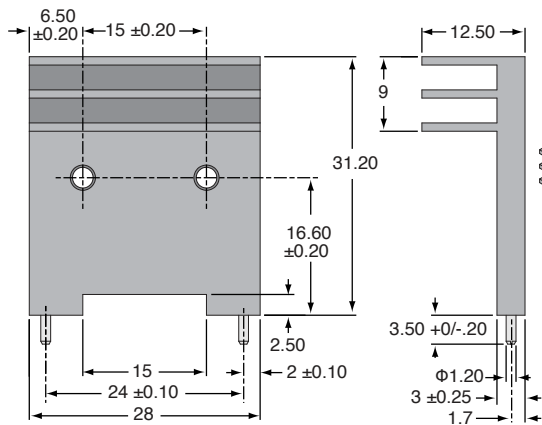
**CSM221-12AE**



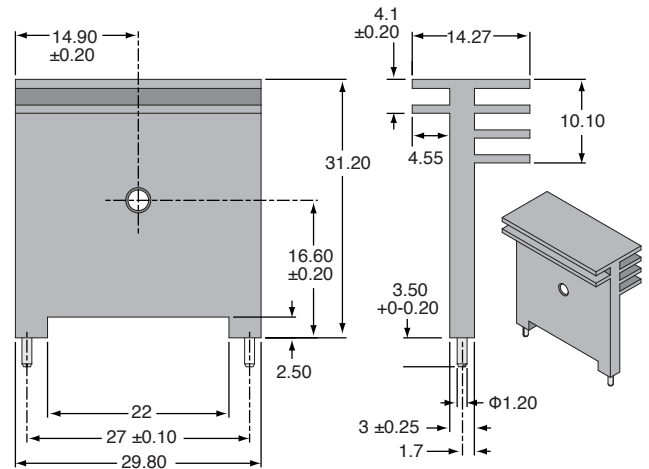
**CSM221-40AE**



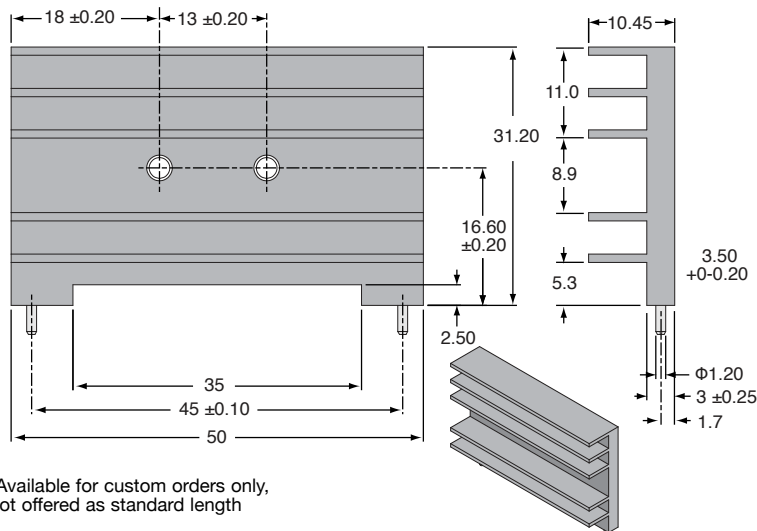
**CSM221-28AE**



**CSM222-30AE**



**CSM223-50AE\***



\*Available for custom orders only, not offered as standard length

rev 1/20-1

### HOW TO ORDER

RoHS Compliant  
**C S M 2 2 1 - 1 2 A E**  
 Series      Extrusion type      Extrusion width      Black anodized

## X-ON Electronics

Largest Supplier of Electrical and Electronic Components

*Click to view similar products for [Heat Sinks](#) category:*

*Click to view products by [Ohmite](#) manufacturer:*

Other Similar products are found below :

[581102B00000G](#) [630-35ABT3](#) [656-15ABPE](#) [657-20ABPNE](#) [73452PPBA](#) [7721-13NG](#) [7G0011A](#) [FI306/SE](#) [PF720G](#) [A22-4026](#) [120-1873-007](#) [HAH10L](#) [1542256-2](#) [1542026-1](#) [1542616-1](#) [HS-2506-F1](#) [HS-87M0-F2](#) [218-40CTE3](#) [25-7520](#) [188854F00000G](#) [F-QB-F1](#) [APA501-60-003](#) [253-122ABE-22](#) [PSC22CB](#) [CLP-201](#) [CLP212SG](#) [CLP-7701G](#) [HAA072](#) [HAA083](#) [HAF10L](#) [HAQ10T](#) [D10100-28](#) [TO5-002D](#) [513101B02500G](#) [BDN183CBA01](#) [531202B0000](#) [HS-56M0-C1](#) [3-21053-4](#) [TX0506-1B](#) [TX1806B](#) [336614B-00000](#) [V2004X](#) [LAE66A3CB](#) [WA-DT2-101E](#) [511-3U](#) [017177](#) [530510B00000G](#) [6110BG](#) [73381PPBA](#) [73403PPBA](#)