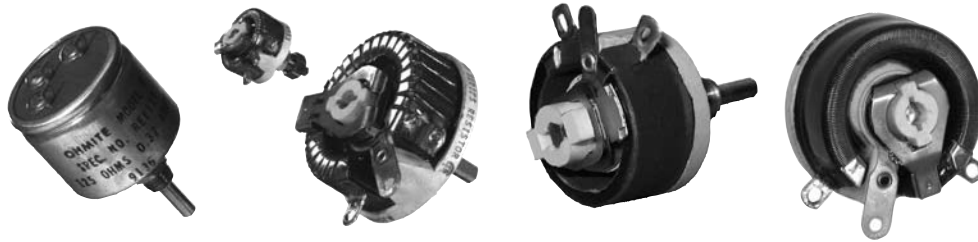


Rheostats

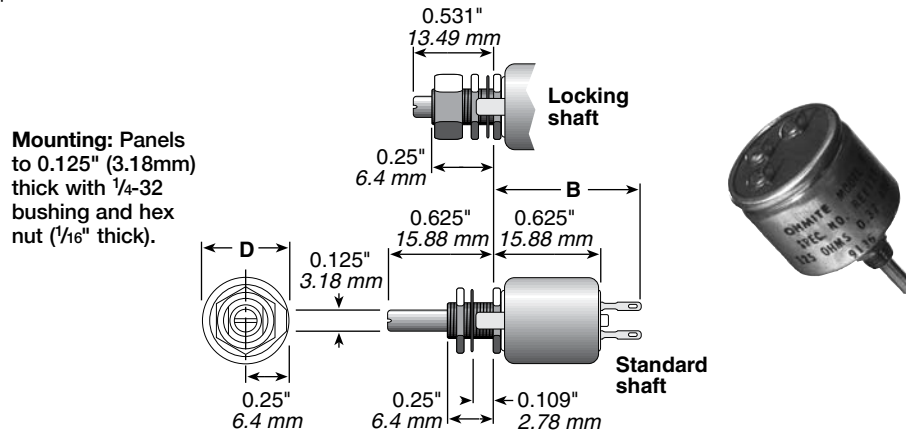
(Potentiometers) Wirewound



MODEL C

Model Type	Watts	Ohmic range	Core	Max. Voltage (RMS)*	Behind panel "B" (in./mm Ref.)	Diameter "D" (in./mm Ref.)	Dimension "C" (in./mm Ref.)	Shaft torque	Rotation (±5°)
C RCS/RCL	7.5	10.0-5K	enclosed	305	0.875/22.23	0.515/ 13.08	—	0.25-3 oz. in.	300°

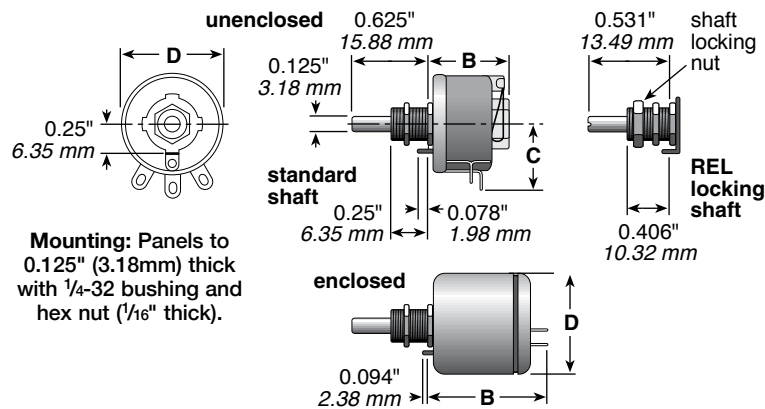
• See Catalog #203 for complete details.



MODEL E

Model Type	Watts	Ohmic range	Core	Max. Voltage (RMS)*	Behind panel "B" (in./mm Ref.)	Diameter "D" (in./mm Ref.)	Dimension "C" (in./mm Ref.)	Shaft torque	Rotation (±5°)
E RES/REL	12.5	1.0-15K	open	305	0.688/17.46	0.875/ 22.23	0.594/15.08	1-6 oz. in.	300°
E REE	12.5	1.0-15K	enclosed	305	1.219/30.96	1.047/ 26.59	—	1-6 oz. in.	300°

• See Catalog #203 for complete details.



Dimensions for reference only; consult factory for details.

Since all rheostats/potentiometers are electro-mechanical devices, they are subject to mechanical wear and, therefore, have a finite life.

Models H, J, K, L and N are listed under UL File No. E-10946 and CSA File No. 21309 unless noted otherwise.

All rheostats are 10% tolerance.

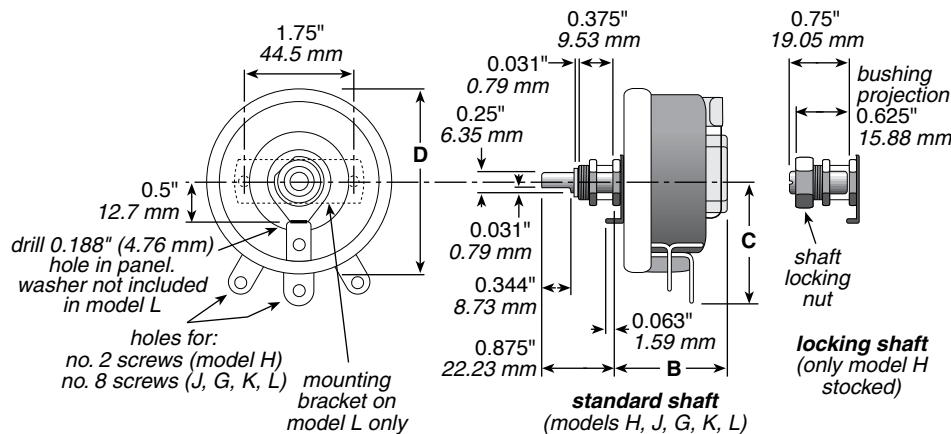
Rheostats

(Potentiometers) Wirewound

MODELS H, J, G, K, L

Model	Type	Watts	Ohmic range	Core	Max. Voltage (RMS)*	Behind panel "B" (in./mm Ref.)	Diameter "D" (in./mm Ref.)	Dimension "C" (in./mm Ref.)	Shaft torque	Rotation (±5°)
H	RHS/RHL	25	1.0-25K	open	500	1.375/34.93	1.560/ 39.62	0.940/23.88	0.25-0.5 lb. in.	300°
J	RJS	50	0.5-50K	open	750	1.375/34.93	2.31 / 58.67	1.56 /39.62	0.25-2 lb. in.	300°
G	RGS	75	0.5-50K	open	900	1.750/44.45	2.75 / 69.25	1.78 /45.21	0.5-2 lb. in.	300°
K	RKS	100	0.5-50K	open	1000	1.750/44.45	3.125/ 79.38	1.91 /48.51	0.5-2 lb. in.	300°
L	RLS	150	0.5-50K	open	1200	2.000 / 50.8	4.00 /101.60	2.28 /57.91	0.5-3 lb. in.	300°

- Models H, J, G, and K also available in enclosed versions.
- See Catalog #203 for complete details.

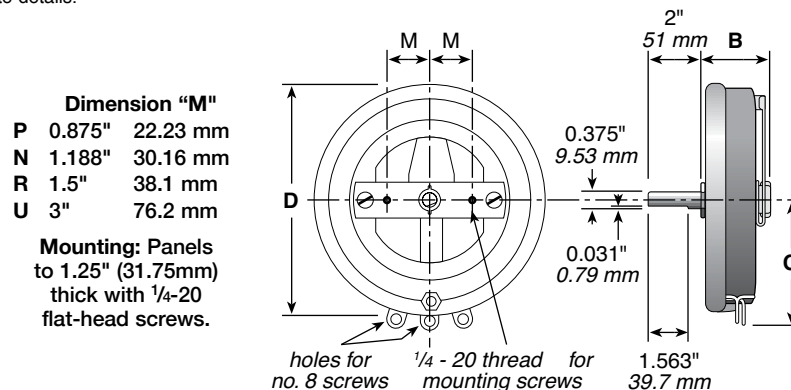


Mounting: Panels to 0.25" (6.35mm) thick with 3/8-32 bushing and hex nut (3/32" thick) (or with 10-32 x 0.75 flat-head screws for model L only).

MODELS P, N, R, U

Model	Type	Watts	Ohmic range	Core	Max. Voltage (RMS)*	Behind panel "B" (in./mm Ref.)	Diameter "D" (in./mm Ref.)	Dimension "C" (in./mm Ref.)	Shaft torque	Rotation (±5°)
P	RPS	225	1.0-30K	open	1300	2.125/53.98	5.00 /127.00	2.97 /75.44	2.5-4 lb. in.	310°
N	RNS	300	1.0-50K	open	1225	2.375/60.33	6.00 /152.40	3.44 /87.38	2.5-5 lb. in.	320°
R	RRS	500	1.0-20K	open	1450	2.125/53.98	8.00 /203.20	4.31/109.47	4.5-7 lb. in.	325°
U	RUS	1000	1.0-20K	open	1600	3.000 / 76.2	12.00 /304.80	6.38/162.05	3.5-7 lb. in.	335°

- See Catalog #203 for complete details.



Dimension "M"

P	0.875" 22.23 mm
N	1.188" 30.16 mm
R	1.5" 38.1 mm
U	3" 76.2 mm

Mounting: Panels to 1.25" (31.75mm) thick with 1/4-20 flat-head screws.

(continued)

Rheostats

(Potentiometers) Wirewound

ORDERING INFORMATION

Code	Watts	Model	Shaft	Core
CL	7.5	C	Locking	Enclosed
CS	7.5	J	Standard	Enclosed
EE	12.5	C	Standard	Enclosed
EL	12.5	J	Locking	Open
ES	12.5	C	Standard	Open
GS	75	J	Standard	Open
HL	25	H	Locking	Open
HS	25	H	Standard	Open
JS	50	J	Standard	Open
KS	100	K	Standard	Open
LS	150	L	Standard	Open
NS	300	N	Standard	Open
PS	225	P	Standard	Open
RS	500	R	Standard	Open
US	1000	U	Standard	Open



Resistance Value*

Example:
 R50 = 0.50Ω
 1R0 = 1Ω
 7R5 = 7.5Ω
 250 = 250Ω
 1K0 = 1,000Ω
 1K75 = 1,750Ω
 4K5 = 4,500Ω
 50K = 50,000Ω

- RoHS compliant product available. Add "E" suffix to part number to specify.
- Made-to-order rheostats available: Contact nearest Ohmite sales office.
- * Voltage rating dependent on resistance value.

*Check table for standard resistance values and maximum current values

Ohmic value	Part No. Prefix Suffix	7.5W Model C			12.5W Model E			25W Model H			50W Model J		75W Model G		100W Model K		150W Model L		225W Model P		300W Model N		500W Model R		1000W Model U			
		RCS	RCL	Amps max.	RES	REL	REE	Amps max.	RHS	RHL	Amps max.	RJS	Amps max.	RGS	Amps max.	RKS	Amps max.	RLS	Amps max.	RPS	Amps max.	RNS	Amps max.	RRS	Amps max.	RUS	Amps max.	
0.5	—R50			✓	✓	✓	3.53	✓	✓	5.00	✓	✓	✓	12.3	✓	✓	✓	✓	✓	✓	15.0	✓	✓	✓	✓	✓	✓	31.6
1	—1R0													✓	✓	✓	✓	✓	✓	✓	✓	✓	✓	✓	✓	✓	✓	25.8
1.5	—1R5																											22.4
2	—2R0																											20.0
2.5	—2R5																											18.3
3	—3R0																											15.8
4	—4R0																											14.1
5	—5R0																											12.9
6	—6R0																											11.2
7.5	—7R5																											10.0
8	—8R0																											8.95
10	—10R	✓	✓	0.86	✓	✓	✓	1.12	✓	✓	✓	✓	✓	✓	✓	✓	✓	✓	✓	✓	✓	✓	✓	✓	✓	✓	✓	7.90
12	—12R																											6.30
12.5	—12R5																											5.48
15	—15R	✓	✓	0.71	✓	✓	✓	0.91	✓	✓	✓	✓	✓	✓	✓	✓	✓	✓	✓	✓	✓	✓	✓	✓	✓	✓	✓	4.74
16	—16R																											4.47
22	—22R																											3.87
25	—25R	✓	✓	0.55	✓	✓	✓	0.71	✓	✓	✓	✓	✓	✓	✓	✓	✓	✓	✓	✓	✓	✓	✓	✓	✓	✓	✓	3.63
35	—35R	✓	✓	0.46	✓	✓	✓	0.60	✓	✓	✓	✓	✓	✓	✓	✓	✓	✓	✓	✓	✓	✓	✓	✓	✓	✓	✓	3.54
40	—40R																											3.16
50	—50R	✓	✓	0.39	✓	✓	✓	0.50	✓	✓	✓	✓	✓	✓	✓	✓	✓	✓	✓	✓	✓	✓	✓	✓	✓	✓	✓	3.16
75	—75R	✓	✓	0.32	✓	✓	✓	0.40	✓	✓	✓	✓	✓	✓	✓	✓	✓	✓	✓	✓	✓	✓	✓	✓	✓	✓	✓	3.65
80	—80R																											3.16
100	—100	✓	✓	0.27	✓	✓	✓	0.36	✓	✓	✓	✓	✓	✓	✓	✓	✓	✓	✓	✓	✓	✓	✓	✓	✓	✓	✓	3.16
125	—125																											2.00
150	—150	✓	✓	0.22	✓	✓	✓	0.29	✓	✓	✓	✓	✓	✓	✓	✓	✓	✓	✓	✓	✓	✓	✓	✓	✓	✓	✓	2.00
160	—160																											1.69
175	—175																											1.69
200	—200	✓	✓	0.19	✓	✓	✓	0.25	✓	✓	✓	✓	✓	✓	✓	✓	✓	✓	✓	✓	✓	✓	✓	✓	✓	✓	✓	2.39
225	—225																											2.11
250	—250	✓	✓	0.17	✓	✓	✓	0.22	✓	✓	✓	✓	✓	✓	✓	✓	✓	✓	✓	✓	✓	✓	✓	✓	✓	✓	✓	2.11
300	—300																											1.83
325	—325																											1.83
350	—350	✓	✓	0.15	✓	✓	✓	0.19	✓	✓	✓	✓	✓	✓	✓	✓	✓	✓	✓	✓	✓	✓	✓	✓	✓	✓	✓	1.48
400	—400																											1.48
500	—500	✓	✓	0.12	✓	✓	✓	0.16	✓	✓	✓	✓	✓	✓	✓	✓	✓	✓	✓	✓	✓	✓	✓	✓	✓	✓	✓	1.41
600	—600																											1.41
700	—700																											1.15
750	—750	✓	✓	0.10	✓	✓	✓	0.13	✓	✓	✓	✓	✓	✓	✓	✓	✓	✓	✓	✓	✓	✓	✓	✓	✓	✓	✓	1.15
800	—800																											1.15
900	—900																											1.15
1000	—1K0	✓	✓	0.086	✓	✓	✓	0.10	✓	✓	✓	✓	✓	✓	✓	✓	✓	✓	✓	✓	✓	✓	✓	✓	✓	✓	✓	1.00
1200	—1K2																											1.00
1250	—1K25																											1.00
1500	—1K5	✓	✓	0.071	✓	✓	✓	0.090	✓	✓	✓	✓	✓	✓	✓	✓	✓	✓	✓	✓	✓	✓	✓	✓	✓	✓	✓	0.816
1600	—1K6																											0.816
1750	—1K75																											0.816
1800	—1K8																											0.816
2000	—2K0																											0.816
2250	—2K25																											0.816
2500	—2K5	✓	✓	0.055	✓	✓	✓	0.070	✓	✓	✓	✓	✓	✓	✓	✓	✓	✓	✓	✓	✓	✓	✓	✓	✓	✓	✓	0.633
3000	—3K0																											0.633
3500	—3K5	✓	✓	0.046	✓	✓	✓	0.060	✓	✓	✓	✓	✓	✓	✓	✓	✓	✓	✓	✓	✓	✓	✓	✓	✓	✓	✓	0.633
4500	—4K5																											0.633
5000	—5K0	✓	✓	0.039	✓	✓	✓	0.050	✓	✓	✓	✓	✓	✓	✓	✓	✓	✓	✓	✓	✓	✓	✓	✓	✓	✓	✓	0.633
7500	—7K5																											0.633
8000	—8K0																											0.633
10000	—10K																											0.633
12500	—12K5																											0.633
15000	—15K																											0.633
20000	—20K																											0.633
25000	—25K																											0.633
30000	—30K																											0.633
40000	—40K																											0.633
50000	—50K																											0.633

✓ = Standard values; check availability
 Rheostats are silicone-ceramic coated at and above the following ohmic values:
 Model C: all
 Model E: 750Ω
 Model H: 2000Ω
 Model J: 5000Ω
 Model G: 5000Ω
 Model K: 5000Ω
 Model L: 7500Ω

X-ON Electronics

Largest Supplier of Electrical and Electronic Components

Click to view similar products for [Rheostats](#) category:

Click to view products by [Ohmite](#) manufacturer:

Other Similar products are found below :

[E-175-F1352ACOL](#) [E-175-F2-352](#) [E-200-F1-352](#) [J4F2-352](#) [H-15-F2-352](#) [H-50-F2-352](#) [J-300-F2-453](#) [E-100-F2-352A](#) [63994-15](#) [E-1000-F1-T3](#) [RJS725E](#) [H-5000-F2-6580B](#) [RCS225](#) [E-350-F1-352](#) [H-5K-L02](#) [J-10K-L02](#) [RHS75R-B](#) [H-100-F2-380](#) [H-25-L02](#) [H-500-SL01](#) [H-25-L02-351](#) [J-1K0-F2-452](#) [H-5/75-F2-T2](#) [J-1000-L02](#) [H-10-F2-352](#) [L-15-F2-T3](#) [H-2500-F2-6580B](#) [RLS300E](#) [J-12-F2-352](#) [U-200-F10-T2](#) [L-1000-F2-CT](#) [J-22-F2-452](#) [H-40-F2-452](#) [E-10-S1-352](#) [H-175-L02-6580B](#) [REL10RE](#) [REL15RE](#) [RES100](#) [RES1K5E](#) [RES200](#) [RES200E](#) [RES3K5E](#) [RES5K0E](#) [RT012AS1001KB](#) [REL25RE](#) [RES2K5E](#) [RPS1K75E](#) [RRS125E](#) [REE10KE](#) [RES15KE](#)