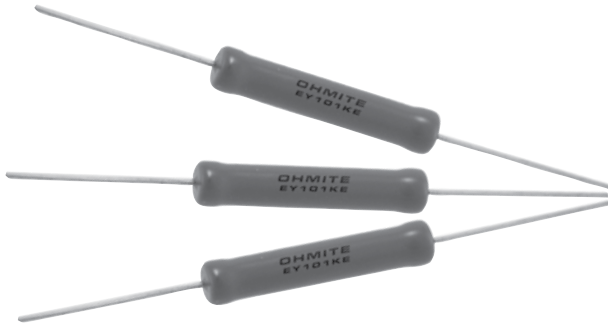


EY Series

Ceramic Composition
10% Tolerance



FEATURES

- Suitable for automatic machine insertion
- Ideal for high energy/high peak power applications
- Products with lead-free terminations meet EU RoHS requirements
- Higher reliability against disconnection compared to wirewound resistors and film resistors

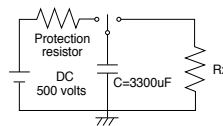
SERIES SPECIFICATIONS

Series	Watts max.*	Resistance range	Tolerance	Joules max.**	Max. working volts
EY	2.5	10Ω - 390KΩ	±10%	400	550

* at 25°C. **For a single impulse.

CHARACTERISTICS

Test	Condition	Requirement $\Delta R \pm (+0.05\Omega)$	Power Rating	Based on 25°C free air rating
Resistance	Resistance	Within regulated to tolerance	TCR	-900±300: R<100Ω -1200±300: R≥100Ω
	Measurement		Voltage	Abs. max. working: 550V Abs. max. overload: 1100V Abs. max. pulse: 25kV
	Resistance voltage			
TCR	+25°C/-40°C and +25°C/+125°C	<100Ω: -900+/- 300ppm ≥100Ω: -1200+/-300ppm	Operating Temp. Range	-40°C to +110°C
Voltage Coefficient	Rated voltage and rated voltage x 10% (Apply for over 1kΩ)	0~-0.05%/V	Tolerance	±10% standard
Overload	Rated voltage x 2.5 or maximum overload voltage for 5s, whichever less	±2% limit; 0.4% typical	Derating 	
Single impulse rating	The resistor mounted to the test circuit at right. Single impulse test of 10 ohm resistor resulting in 3.3ms.	±5%		
Resistance to soldering heat	350°C±10°C, 3.5s±0.5s	±2% limit; 0.8% typical		
Rapid change of temperature	-40°C(30min.)/+85°C(30min.), 5 cycles	±2% limit; 0.4% typical		
Moisture resistance	40°C±2°C, 90%~95%RH, 1000h, 1.5h ON/0, 5h OFF cycles	±5% limit; 0.6% typical		
Load life	40°C±2°C, 1000h, 1.5h ON/0, 5h OFF cycles	±5% limit; 0.4% typical		
Resistance to Solvent	Dipping in IPA or Xylene for 3 minutes and leaving for 10 minutes after removing drops, then brushing 10 times.	No abnormality in appearance. Marking shall be easily legible.		
Pulse Tolerance	200V, 112 Joules, 10000 cycles, 5600uf capacitor discharge, 26 second rest time	±2%		



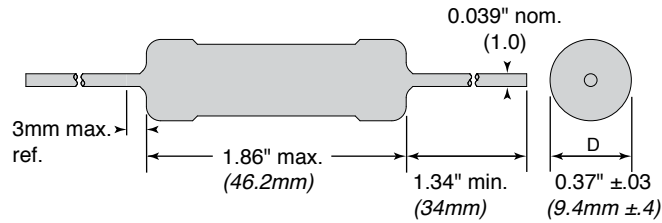
(continued)

EY Series

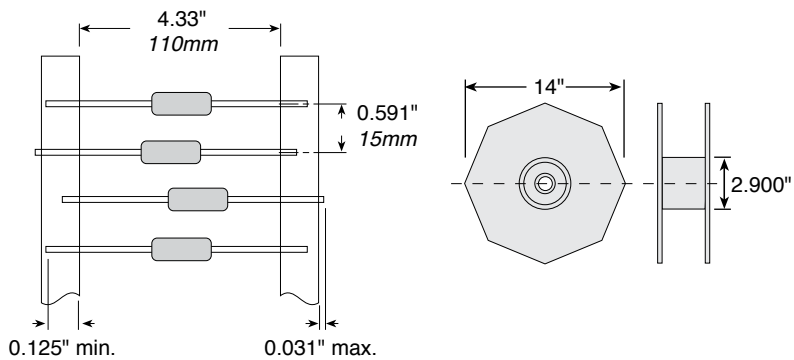
Ceramic Composition
10% Tolerance

DIMENSIONS

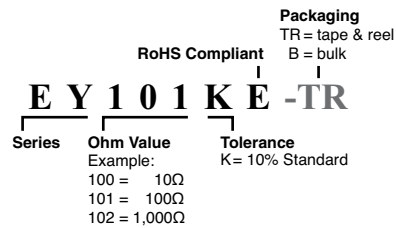
in./mm



Tape and Reel Dimensions



ORDERING INFORMATION



Standard values

EY100KE	EY471KE
EY150KE	EY681KE
EY180KE	EY102KE
EY270KE	EY152KE
EY330KE	EY272KE
EY470KE	EY472KE
EY680KE	EY103KE
EY101KE	EY153KE
EY151KE	EY473KE
EY271KE	EY104KE

X-ON Electronics

Largest Supplier of Electrical and Electronic Components

Click to view similar products for [Ceramic Composition Resistors](#) category:

Click to view products by [Ohmite](#) manufacturer:

Other Similar products are found below :

[47250](#) [CCR21K0KT](#) [RC1R0EA1K00KE](#) [109AS502KDS](#) [250AS280JDS](#) [109AS333KDS](#) [890SP501K](#) [890AS682LDS](#) [1044AS301KDS](#) [1-1623720-7](#) [HPC1C394K](#) [DFN51120](#) [PCF2CT631R121K](#) [PCF2C561K](#) [PCF1CT631R221K](#) [PCF1C221K](#) [PCF1/2C683K](#) [PCF1/2C471K](#) [PCF1/2C151K](#) [PCF1/2C100K](#) [HPC1C681K](#) [HPC1/2C332K](#) [HPC1/2C471K](#) [HPC1/2CT52A102K](#) [HPC1C102K](#) [HPC1C103K](#) [HPC1C121K](#) [HPC1C123K](#) [HPC1C153K](#) [HPC1C183K](#) [HPC1C220K](#) [HPC1C221K](#) [HPC1C223K](#) [HPC1C224K](#) [HPC1C272K](#) [HPC1C331K](#) [HPC1C332K](#) [HPC1C390K](#) [HPC1C470K](#) [HPC1C471K](#) [HPC1C561K](#) [HPC1C680K](#) [HPC1C820K](#) [HPC2C100K](#) [HPC2C101K](#) [HPC2C103K](#) [HPC2C105K](#) [HPC2C121K](#) [HPC2C151K](#) [HPC2C182K](#)