

OX/OY Series

Ceramic Composition 10% Tolerance

The OX/OY Series of fixed ceramic resistors are ideal for circuitry associated with surges, high peak power or high energy. They offer enhanced performance in high voltage power supplies, R-C snubber circuits, and inrush limiters. The OX/OY resistors can often replace carbon composition resistors which can be difficult to source.



FEATURES

- Replaces 1 and 2 watt carbon composition resistors
- Meets high energy density demands
- High peak power
- 10% Tolerance

SERIES SPECIFICATIONS

Series	Watts max.*	Resistance range	Joules max.**	Max. working volts
OX	1	3.3Ω-100K	50	300
OY	2	3.3Ω-1M	80	400

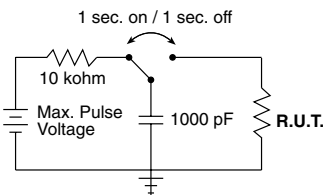
* at 70°C. **For a single impulse.

CHARACTERISTICS

Terminals	Pb-free solder-coated axial	
Coating	Silicone ceramic	
Derating	Linear from 100% @ +70°C to 0% @ +200°C	
Operating Temp. Range	-40°C to +220°C	
Tolerance	±10% standard	
Power Rating	Based on 70°C free air rating	
Temperature Coefficient	-1300 ±300ppm/°C.	

	OX	OY
Max Working Voltage	300V	400V
Dielectric Strength	500V	700V
Max Overload Voltage	600V	800V
Max Pulse Voltage¹	14KV	20KV
Pulse Tolerance, 100 pulses	1240V @ 52μF, 40J/ 35 sec.	1640V @ 52μF, 70J/35 sec.

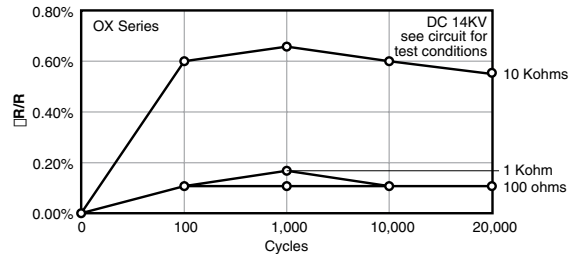
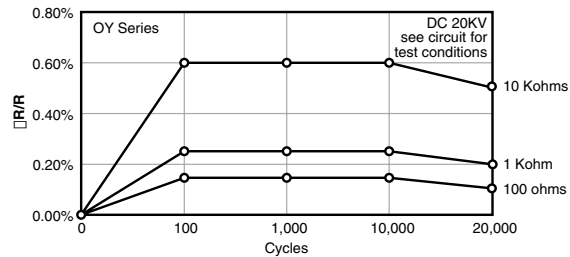
¹See figures



14KV and 20KV values used in circuit as shown; full voltage not applied directly to resistor.

Test	Condition	Maximum ΔR
Life Test	MIL-STD-202, Method 108	±5%
Short Time Overload	2x rated V, 5 sec ON @ 70°C	±(2% +0.05Ω)
Resistance to Pulse¹	20,000 cycles. See circuit for test conditions	±5%
Thermal Shock	MIL-STD-202, Method 107	±(2% ±0.05Ω)
Moisture Resistance	1000 hrs @ 40°C, 90 - 95% RH	±5%

Resistance to Pulse



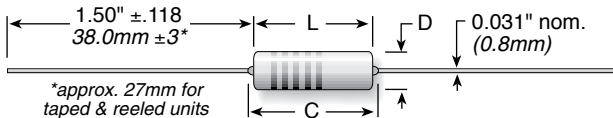
(continued)

OX/OY Series

**Ceramic Composition
10% Tolerance**

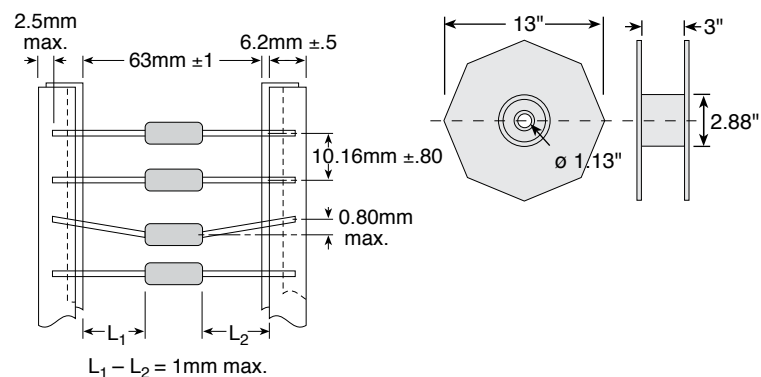
DIMENSIONS

in./mm



Series	Length L ±.039 (±1.0)	Length C max.	Diameter D ±.039 (±1.0)	Qty. per reel
OX	0.65 / 16.5	0.748 / 19.0	0.217 / 5.5	1000
OY	0.748 / 19.0	0.886 / 22.5	0.276 / 7.0	500

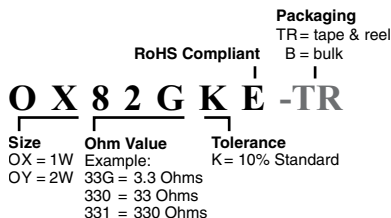
Tape and Reel Dimensions



ORDERING INFORMATION

Standard part numbers for OX/OY Series

Ohmic value	Part No. Prefix Suffix	Wattage 1 2	Ohmic value	Part No. Prefix Suffix	Wattage 1 2	Ohmic value	Part No. Prefix Suffix	Wattage 1 2	Ohmic value	Part No. Prefix Suffix	Wattage 1 2	Ohmic value	Part No. Prefix Suffix	Wattage 1 2
3.3	-33GKE	✓	27	-270KE	✓	220	-221KE	✓	1800	-182KE	✓	15000	-153KE	✓
3.9	-39GKE	✓	33	-330KE	✓	270	-271KE	✓	2200	-222KE	✓	18000	-183KE	✓
4.7	-47GKE	✓	39	-390KE	✓	330	-331KE	✓	2700	-272KE	✓	22000	-223KE	✓
5.6	-56GKE	✓	47	-470KE	✓	390	-391KE	✓	3300	-332KE	✓	27000	-273KE	✓
6.8	-68GKE	✓	56	-560KE	✓	470	-471KE	✓	3900	-392KE	✓	33000	-333KE	✓
8.2	-82GKE	✓	68	-680KE	✓	560	-561KE	✓	4700	-472KE	✓	39000	-393KE	✓
10	-100KE	✓	82	-820KE	✓	680	-681KE	✓	5600	-562KE	✓	47000	-473KE	✓
12	-120KE	✓	100	-101KE	✓	820	-821KE	✓	6800	-682KE	✓	56000	-563KE	✓
15	-150KE	✓	120	-121KE	✓	1000	-102KE	✓	8200	-822KE	✓	68000	-683KE	✓
18	-180KE	✓	150	-151KE	✓	1200	-122KE	✓	10000	-103KE	✓	82000	-823KE	✓
22	-220KE	✓	180	-181KE	✓	1500	-152KE	✓	12000	-123KE	✓	100000	-104KE	✓
														1 MEG -105KE ✓



X-ON Electronics

Largest Supplier of Electrical and Electronic Components

Click to view similar products for [Ceramic Composition Resistors](#) category:

Click to view products by [Ohmite](#) manufacturer:

Other Similar products are found below :

[47250](#) [CCR21K0KT](#) [RC1R0EA1K00KE](#) [109AS502KDS](#) [250AS280JDS](#) [109AS333KDS](#) [890SP501K](#) [890AS682LDS](#) [1044AS301KDS](#) [1-1623720-7](#) [HPC1C394K](#) [DFN51120](#) [PCF2CT631R121K](#) [PCF2C561K](#) [PCF1CT631R221K](#) [PCF1C221K](#) [PCF1/2C683K](#) [PCF1/2C471K](#) [PCF1/2C151K](#) [PCF1/2C100K](#) [HPC1C681K](#) [HPC1/2C332K](#) [HPC1/2C471K](#) [HPC1/2CT52A102K](#) [HPC1C102K](#) [HPC1C103K](#) [HPC1C121K](#) [HPC1C123K](#) [HPC1C153K](#) [HPC1C183K](#) [HPC1C220K](#) [HPC1C221K](#) [HPC1C223K](#) [HPC1C224K](#) [HPC1C272K](#) [HPC1C331K](#) [HPC1C332K](#) [HPC1C390K](#) [HPC1C470K](#) [HPC1C471K](#) [HPC1C561K](#) [HPC1C680K](#) [HPC1C820K](#) [HPC2C100K](#) [HPC2C101K](#) [HPC2C103K](#) [HPC2C105K](#) [HPC2C121K](#) [HPC2C151K](#) [HPC2C182K](#)