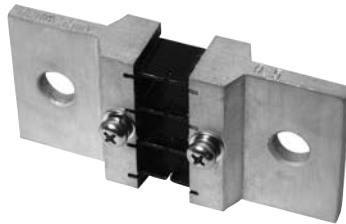
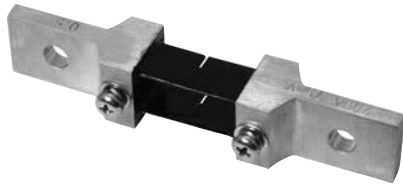


S Series

High Current Shunts



FEATURES

- 100-1200A ratings
- 60mv and 75mv versions
- 0.5% accuracy class
- Manganin (6J13) plate resistive element construction
- T, L, and DIN type terminals
- H59-1 (UNS 37700) Brass Terminal Construction

SERIES SPECIFICATIONS

Series	Terminal Type	Construction	Rated Current	Voltage (mV)	Accuracy Class
SHD1-100C060DE	DIN	Plate	100	60	0.50%
SHT1-250C060DE	T	Plate	250	60	0.50%
SHL1-600C060DE	L	Plate	600	60	0.50%
SHL1-1K2C060DE	L	Plate	1200	60	0.50%
SHD1-100C075DE	DIN	Plate	100	75	0.50%
SHT1-200C075DE	T	Plate	200	75	0.50%
SHT1-500C075DE	T	Plate	500	75	0.50%
SHL1-1K0C075DE	L	Plate	1000	75	0.50%
SHT1-500C100DE	T	Plate	500	100	0.50%

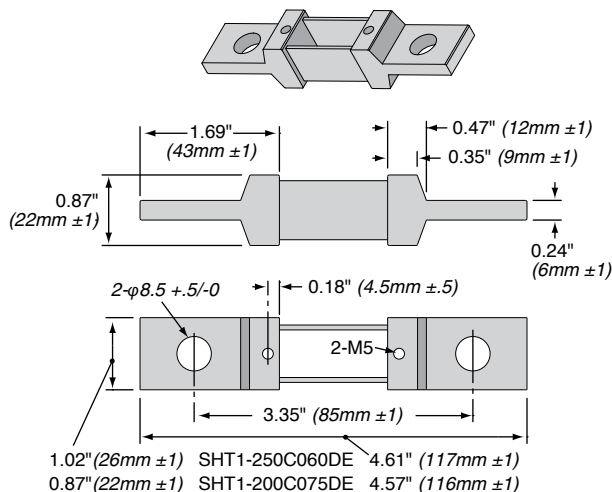
CHARACTERISTICS

Terminal Surface Coating	Acid Wash and Passivation
Resistor plate surface coating	Acid Wash and Passivation
Method of measurement	Null Balance Resistance Bridge
National standard	GB/T7676-1998 (Direct acting indicating analog electrical measuring instruments and their accessories)
Safety standard	IEC610101-1: 1890 (Safety requirements for electrical equipment for measurement, control, and laboratory use-Part I: General requirements)
Environmental standard	SJ/T11363-2006 (Requirements for concentration limits for certain hazardous substances in electronic information products)
Derating	linearly from 25°C to 85°C

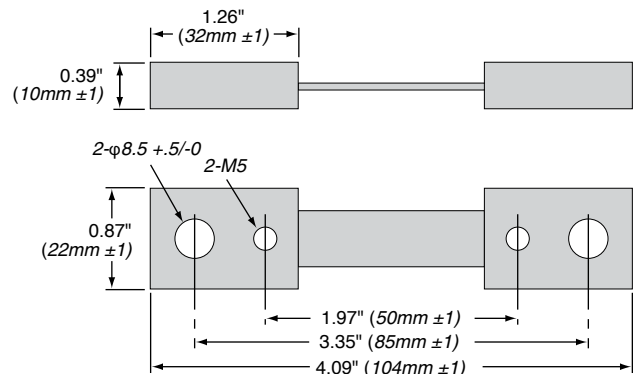
DIMENSIONS

in./mm

SHT1-250C060DE
SHT1-200C075DE



SHD1-100C060DE
SHD1-100C075DE



(continued)

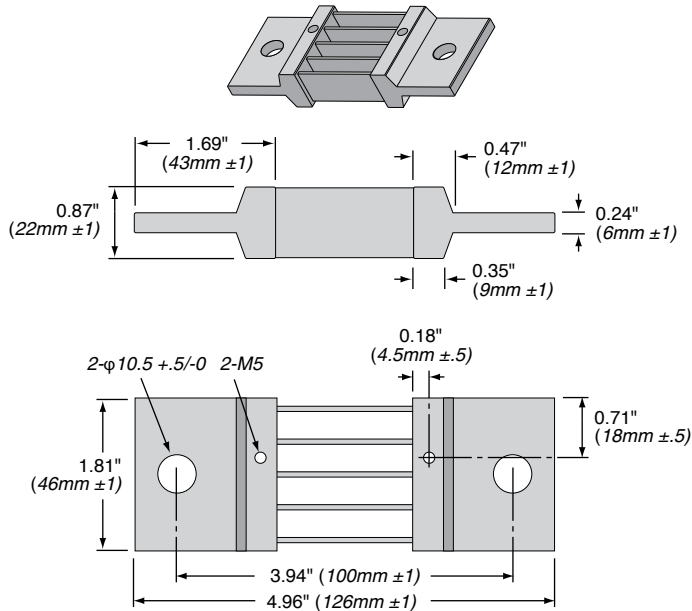
S Series

High Current Laboratory Shunts

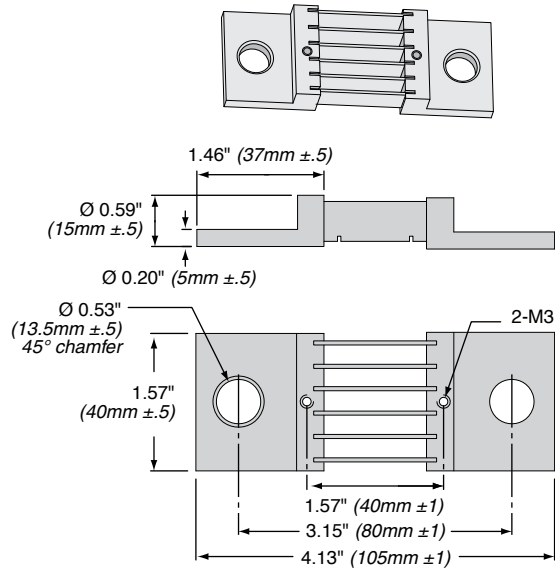
DIMENSIONS

(continued) in./mm

SHT1-500C075DE

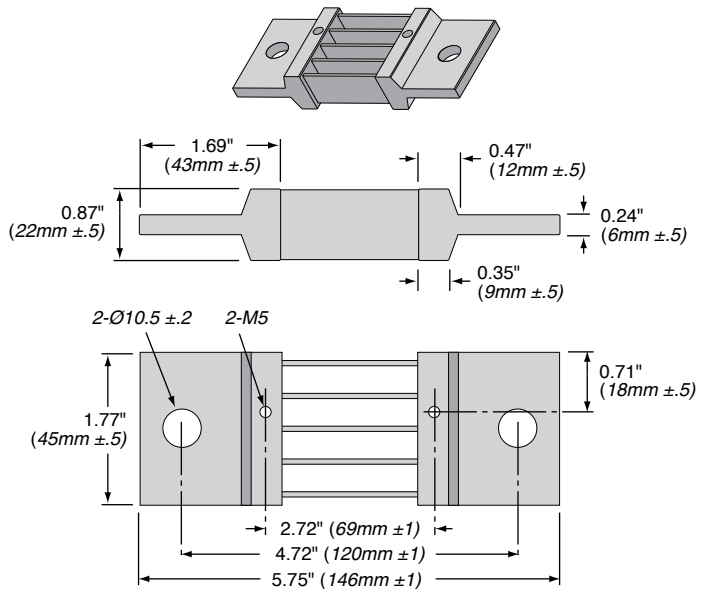
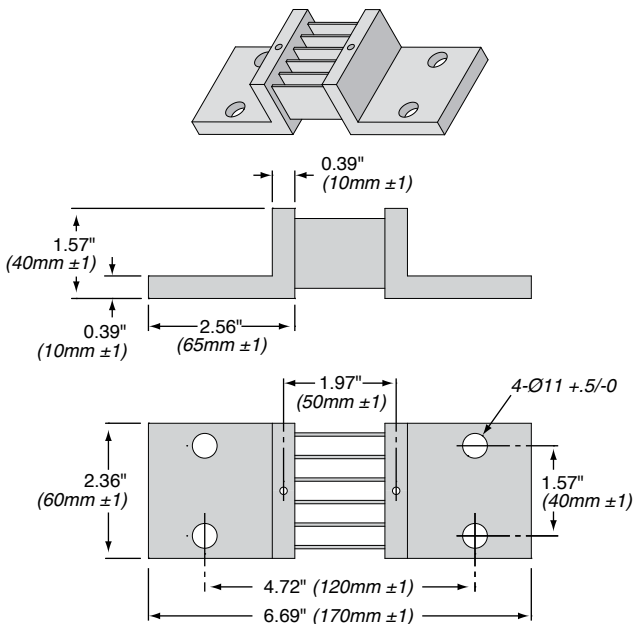


SHL1-600C060DE



SHT1-500C100DE

SHL1-1K2C060DE SHL1-1K0C075DE



HOW TO ORDER

Current
 1K0 = 1000 amps
 500 = 500 amps
 200 = 200 amps
 100 = 100 amps

RoHS Compliant

SHL1-1K0C075DE

Series	Terminal Type	Terminal Material	mV	Tolerance
T	T-type	C = copper surface treatment (std.)	075 = 75mV	D = ±0.5%
D	DIN-type	N = nickel plating	025 = 25mV	F = ±1%
L	L-type		050 = 50mV	
			060 = 60mV	

X-ON Electronics

Largest Supplier of Electrical and Electronic Components

Click to view similar products for [Current Sense Resistors - Through Hole](#) category:

Click to view products by [Ohmite](#) manufacturer:

Other Similar products are found below :

[CPSL07R1000JB145](#) [SR10-0.015-1%](#) [SR20-0.008-1%](#) [HPCR0402F12K0K9](#) [HPCR0402F130RK9](#) [HPCR0402F13K0K9](#)

[HPCR0402F17K4K9](#) [HPCR0402F180KK9](#) [HPCR0402F180RK9](#) [HPCR0402F1K10K9](#) [HPCR0402F220KK9](#) [HPCR0402F220RK9](#)

[HPCR0402F24K0K9](#) [HPCR0402F27K0K9](#) [HPCR0402F2K00K9](#) [HPCR0402F33K0K9](#) [HPCR0402F430KK9](#) [HPCR0402F4K30K9](#)

[HPCR0402F4K70K9](#) [HPCR0402F680KK9](#) [HPCR0402F680RK9](#) [HPCR0402F390KK9](#) [HPCR0402F39K0K9](#) [HPCR0402F8K20K9](#)

[HPCR0402F560RK9](#) [HPCR0402F2K70K9](#) [HPCR0402F360KK9](#) [HPCR0402F36K0K9](#) [HPCR0402F3K00K9](#) [HPCR0402F3K90K9](#)

[HPCR0402F430RK9](#) [HPCR0402F43K0K9](#) [HPCR0402F475KK9](#) [HPCR0402F47K0K9](#) [HPCR0402F51K0K9](#) [HPCR0402F560KK9](#)

[HPCR0402F56K0K9](#) [HPCR0402F5K10K9](#) [HPCR0402F5K60K9](#) [HPCR0402F620KK9](#) [HPCR0402F620RK9](#) [HPCR0402F68K0K9](#)

[HPCR0402F6K20K9](#) [HPCR0402F6K80K9](#) [HPCR0402F750KK9](#) [HPCR0402F750RK9](#) [HPCR0402F7K50K9](#) [HPCR0402F820KK9](#)

[HPCR0402F82K0K9](#) [HPCR0402F910KK9](#)